

# FOREWORD

Dear Honda User,  
You have just purchased a Honda lawn mower and we thank you for your confidence in us.

This manual has been written to familiarise you with your mower, to enable you to use it in the best possible conditions and to carry out its maintenance.

Our aim is to make you benefit to the full from technological advances, from new equipment and materials and from our experience. This is why we regularly make improvements to our models. Thus, the specifications and information contained in this manual may be modified without prior notice and without obligation to update it.

If you have a problem, or if you have any questions concerning the mower, contact your supplying dealer or approved Honda dealer. Keep this manual handy so you can consult it at any time. If you sell the mower be sure that the manual accompanies it.

We recommend that you read the guarantee policy to fully understand your rights and responsibilities. The guarantee policy is a separate document provided by your dealer.

No reproduction, even partial, may be made of this publication without prior written authorisation.

## SAFETY INSTRUCTIONS

For your own safety and operating comfort, it is highly recommended that you read this manual in full.

Pay attention to these symbols and their meaning:

### WARNING :

Indicates a high risk of severe personal injury or death if instructions are not followed.

### CAUTION:


• Indicates a possibility of personnel injury or equipment damage if instructions are not followed.

**NOTE:** Source of usefull information.

## DESCRIPTION OF THE CODES USED IN THIS MANUAL

HRX476C	H Y E A	P K E A	V K E A	V Y E A
Hydrostatic drive Selfpropelled . . . . .	•			
Pushed . . . . .		•		
Self-propelled with variable speed transmission. . . . .			•	•
Blade brake . . . . .		•	•	
Rotostop . . . . .	•			•

The model of your machine is indicated on its "identification label", by a series of letters and figures (see page 3).

 \_\_\_\_\_  
Write down your machine's serial number here

\_\_\_\_\_   
Write down your machine's model here

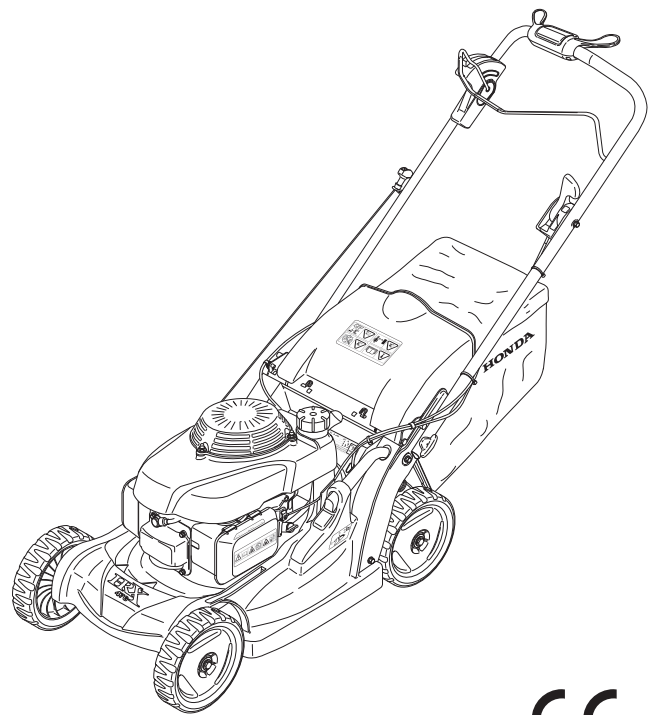


## OWNER'S MANUAL

Original instructions

# HRX476C

## Lawn mowers



## CONTENTS

Foreword . . . . .	1
Safety instructions . . . . .	2
Safety stickers . . . . .	3
Identification of machine . . . . .	3
General description . . . . .	3
Preparation and checks before use . . . . .	4
Selecting the cutting mode . . . . .	6
Starting and stopping the engine . . . . .	7
Operating hints and tips . . . . .	7
Maintenance . . . . .	9
Troubleshooting . . . . .	13
Storage . . . . .	14
Transport . . . . .	15
Useful information . . . . .	15
Technical specifications . . . . .	16
Major Honda distributor addresses . . . . .	17
"EC Declaration of Conformity" CONTENT OUTLINE . . . . .	18

# SAFETY INSTRUCTIONS

For your own safety and operating comfort, it is highly recommended that you read this manual in full.

Pay attention to these symbols and their meaning:

## WARNING :

Indicates a high risk of severe personal injury or death if instructions are not followed.

### CAUTION:

- Indicates a possibility of personal injury or equipment damage if instructions are not followed.

**NOTE:** Source of useful information.



This sign means that you must take care during certain operations. Refer to the safety instructions on the following pages, to the point(s) indicated in the box.

## TRAINING

- A1.** Read the instructions carefully. Be familiar with the controls and the proper use before using the equipment. Know how to stop the engine rapidly.
- A2.** Use the mower for the purpose it is intended for, that is mowing and collecting grass. Any other use could be dangerous or damage the equipment.
- A3.** Never allow children or people unfamiliar with these instructions to use the lawn mower. Local regulations may restrict the age of the operator.
- A4.** Never mow when:
  - People, especially children or pets are nearby.
  - User is under medication or has swallowed substances known to affect judgement or reactions.
- A5.** Keep in mind that the owner or user is responsible for accidents or hazards occurring to other people or their property.

## PREPARATION

- B1.** While mowing, always wear substantial footwear and long trousers. Do not operate the equipment when barefoot or wearing sandals.
- B2.** Thoroughly inspect the area where the equipment is to be used and remove all objects which may be thrown by the machine (stones, branches, wires, bones, etc...).
- B3. WARNING** - Petrol is highly flammable.
  - Store fuel in containers specifically designed for this purpose.
  - Refuel outdoors only, before starting the engine and do not smoke while refuelling or handling fuel.
  - Never remove the cap of the fuel tank or add petrol while the engine is running or when the engine is hot.
  - If petrol is spilled, do not attempt to start the engine but move the machine away from the area of spillage and avoid creating any source of ignition until petrol vapours are dissipated.
  - Replace all fuel tanks and container caps securely.
  - Before tipping the lawn mower to maintain the blade or drain oil, remove fuel from tank.
- B4.** Replace faulty silencers.
- B5.** Before use, always visually inspect the machine, especially to see that the blades, blade bolts and cutter assembly are not worn or damaged. Replace worn or damaged blades and bolts in sets to preserve balance.

## OPERATION

- C1.** Do not operate the engine in a confined space where dangerous carbon monoxide fumes can collect.
- C2.** Mow only in daylight or in good artificial light.
- C3.** Avoid operating the equipment in wet grass, where possible.

- C4.** While mowing, always keep the safety distance to the blade, which is provided by the handle length.
- C5.** Walk, never run. Do not let yourself be pulled by the mower.
- C6.** Always be sure of your footing on slopes. Mow across the face of slopes, never up and down.
- C7.** Exercise extreme caution when changing direction on slopes.
- C8.** Do not mow slopes of more than 20°.
- C9.** Use extreme caution when pulling the lawn mower towards you.
- C10.** Stop the blade if the lawn mower has to be tilted for transportation when crossing surfaces other than grass, and when transporting the lawn mower to and from the area to be mowed.
- C11.** Never operate the lawn mower with defective guards or housings, or without safety devices such as deflectors and/ or grass catchers.
- C12.** Do not change the engine governor settings or overspeed the engine.
- C13.** Disengage all blade (models equipped with Rotostop) and drive clutches (self-propelled models) before starting the engine.
- C14.** Start the engine carefully according to instructions and with feet well away from the blade.
- C15.** Do not tilt the lawn mower when starting the engine.  
Start the mower on a level surface, free of high grass or obstacle.
- C16.** Keep hands and feet away from the rotating parts.  
Do not start the engine when standing in front of the discharge opening.
- C17.** Never pick up or carry a lawn mower while the engine is running.
- C18.** Stop the engine and disconnect the spark plug cap in the following cases:
  - Before any operation under the cutter housing or the discharge tunnel.
  - Before checking, cleaning or working on the lawn mower.
  - After striking a foreign object. Inspect the lawn mower for damage and make repairs before restarting and operating the lawn mower again.
  - If lawn mower starts to vibrate abnormally. Check immediately the cause of the vibration and perform the necessary repair.
- C19.** Stop the engine in the following cases:
  - Whenever you leave the lawn mower unattended.
  - Before refuelling.
- C20.** Stop the blade (models equipped with Rotostop) or the engine in the following cases:
  - When installing or removing the grass bag.
  - Before adjusting the cutting height.
- C21.** Reduce the throttle setting during engine shut-down. Close the fuel shut-off valve by turning the fuel shut-off valve.
- C22.** Using any attachments other than those recommended in this manual may cause damage to your lawn mower, and such damage will not be covered by your guarantee.

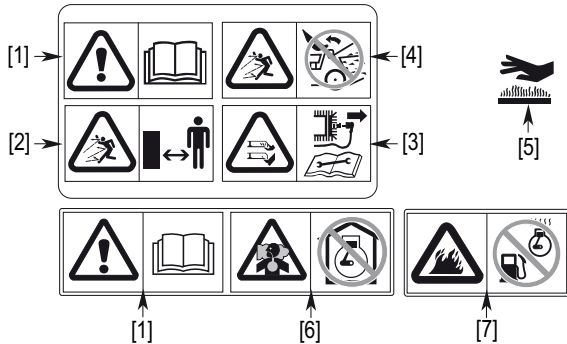
## MAINTENANCE AND STORAGE

- D1.** Keep all nuts, bolts and screws tight to be sure the equipment is in safe working condition. Regular maintenance is an essential aid to user's safety and retaining a high level of performance.
- D2.** Never store the equipment with petrol in the tank inside a building when vapours may reach an open flame, spark or high temperature source.
- D3.** Allow the engine to cool before storing in any enclosure.
- D4.** To reduce the fire hazard, keep the mower, especially the engine and silencer, the petrol storage area as well, free of grass, leaves, or excessive grease. Do not leave containers of grass cuttings in or near a building.
- D5.** If the fuel tank has to be drained, this should be done outdoors, with a cold engine.
- D6.** Check the grass collecting system frequently for wear or deterioration.
- D7.** Do not use the machine with worn or damaged parts.  
Parts must be replaced, not repaired. Replace worn or damaged parts with Honda genuine parts.  
Blades must always bear the mark Honda and the reference number.  
Non equivalent quality parts may damage the machine and be prejudicial to your safety.
- D8.** Wear thick gloves when removing or installing the blade or when cleaning the cutter housing.  
When tightening or loosening the blade screws, use a wooden block to prevent the blade from rotating.
- D9.** Always make sure the correct balance of the blade when sharpening.

# SAFETY STICKERS

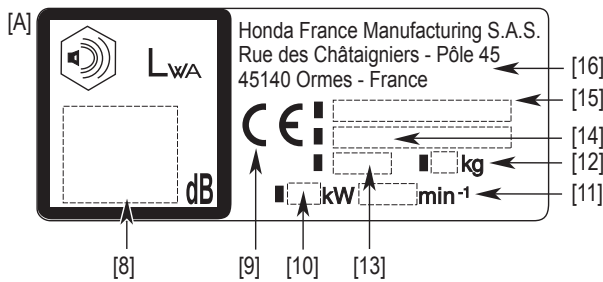
Your lawn mower must be used with care. Therefore, decals have been placed on the machine, to remind you pictorially of main precautions to take during use. Their meaning is explained below. These decals are considered as a part of the mower. Should one become detached or unreadable, contact your Honda dealer for its replacement.

We also recommend that you read the safety advice carefully (see page 2).



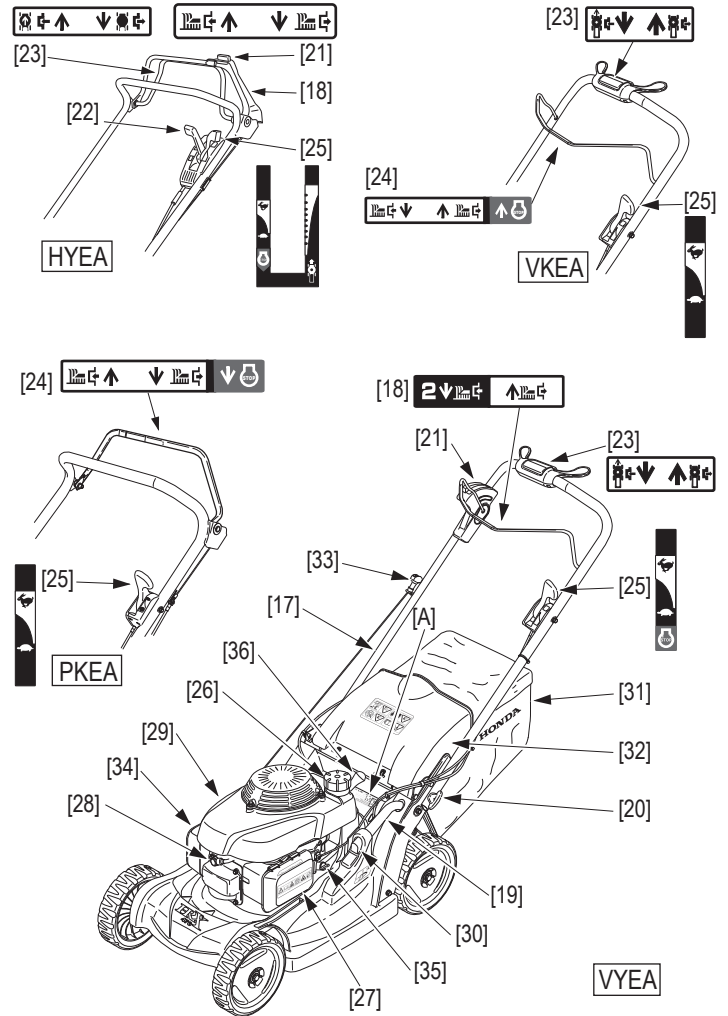
- [1] **WARNING:** Read the owner's manual before using the mower.
- [2] Risk of projections: Keep third persons away from the area during use.
- [3] Risk of cuts. Rotating blade: Do not put hands or feet inside the blade enclosure. Disconnect the spark plug cap before performing any operation of maintenance or repairs.
- [4] Do not operate without either discharge guard or grass catcher in place.
- [5] The muffer becomes very hot during operation and remains hot for a while after stopping the engine.
- [6] The engine emits toxic carbon monoxide. Do not run in an enclosed area.
- [7] Petrol is highly flammable. Stop the engine before refueling.

# IDENTIFICATION OF MACHINE



- [8] Sound power level
- [9] CE marking
- [10] Nominal power in kilowatt
- [11] Recommended engine speed in rpm
- [12] Mass in kilograms
- [13] Year of manufacture
- [14] Serial number
- [15] Model - Type
- [16] Name and address of the manufacturer

# GENERAL DESCRIPTION



# EQUIPMENT IDENTIFICATION

CONTROLS	FUNCTIONS
[17] Handle	
[18] Blade clutch lever (Rotostop) (*)	Couple and stops the blade
[19] Lever for adjusting the cutting height	Selects the desired cutting height
[20] Folding knob / adjusting the handle	Allows you to adjust the height of the handle or to fold the handle
[21] Blade clutch lever unlocking knob (*)	Activates blade clutch lever
[22] Variable speed clutch lever (*)	Controls the maximum drive speed
[23] Drive clutch lever (*)	Transmission control which drives the rear wheels
[24] Blade brake lever (*)	Stops the blade rotation and the engine / Authorises start-up
[25] Throttle lever	Controls the engine speed
[26] Fuel tank	
[27] Air filter	
[28] Spark plug	
[29] Engine oil reservoir	
[30] Cutting height lever unlocking knob	
[31] Grass bag	Collects the cut grass
[32] Discharge guard	Protects the projections
[33] Recoil	Allows you to start the engine
[34] Muffler	
[35] Fuel valve	Closes / opens the fuel circuit
[36] Variable mulching control	Controls the amount of grass ejected

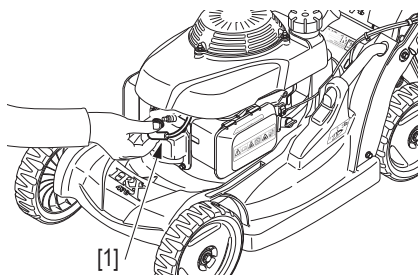
(\*) For the models equipped

# PREPARATION AND CHECKS BEFORE USE



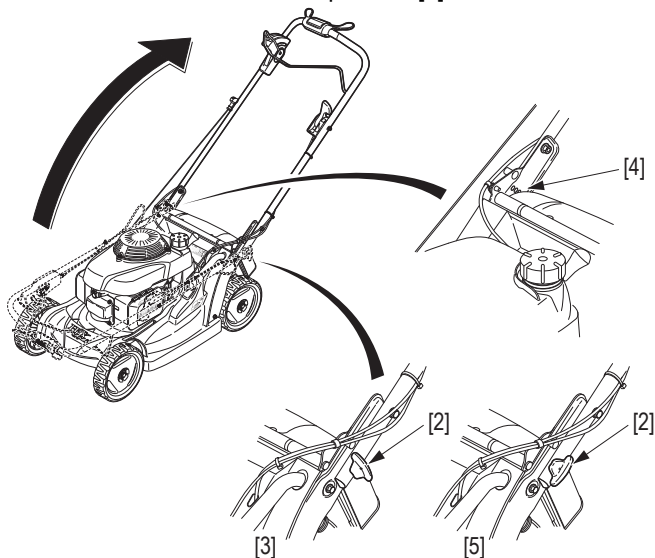
## ⚠ WARNING :

To carry out this series of checks, place the mower on stable and level ground with engine stopped and spark plug [1] cap removed.



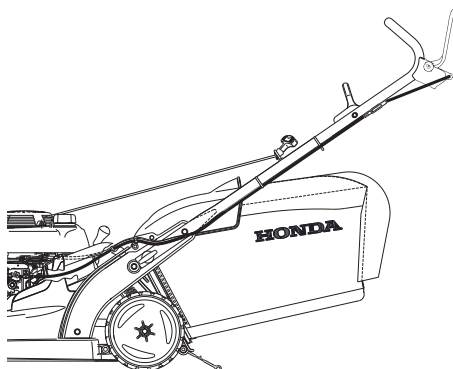
## ASSEMBLY OF THE HANDLE

1. Turn the folding/handle adjustment knobs [2] a quarter turn to unlocked position [3].
2. Unfold the handle so that the folding knob axes line up with the top, intermediate or bottom holes [4], depending on the handle height required.
3. Put the knobs back to locked position [5].



Ensure that the clamping rings for the cables on the handle are positioned correctly.

To assemble the grass bag, please refer to [page 12](#).



## CHECKING THE GRASS BAG



## ⚠ WARNING :

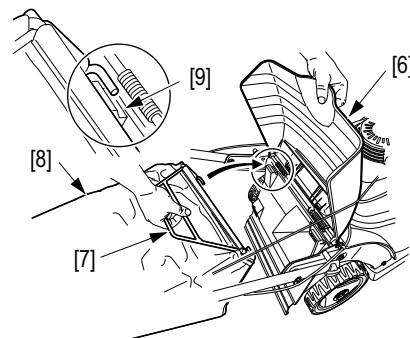
Before use, ensure that the bag closing device is correctly locked (discharge guard). Even in normal use, the grass bag tends to wear. Regularly check that it is not frayed or torn. A worn out bag must be replaced. Replace a damaged bag by a Honda bag only.

## Bag removal:

1. Stop the engine.
2. Raise discharge guard [6], grasp handle [7] and remove bag [8] while keeping it in an upright position.

## Bag fitting:

1. Raise the discharge guard and hook the front of the bag on the mower's attachment lugs [9].



**NOTE:** The lawn mower operates like a vacuum cleaner; it blows air into the grass bag sucking up the grass cuttings. Empty the grass bag before it is full to help emptying and minimising the dropping of grass cuttings. Bagging performance will diminish after the bag becomes about 90 % full.

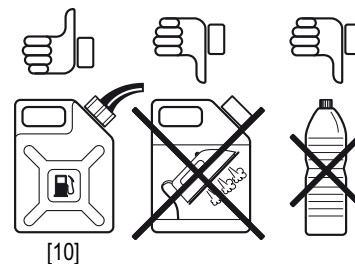
## CHECKING FUEL LEVEL

## ⚠ WARNING :

Do not fill the fuel tank up to the brim (There must be no fuel in the filler neck). When filling is completed, ensure that the tank filler cap is screwed fully on. Avoid getting fuel on the skin repeatedly or for long periods and avoid breathing fuel vapours. Keep fuel away from children.

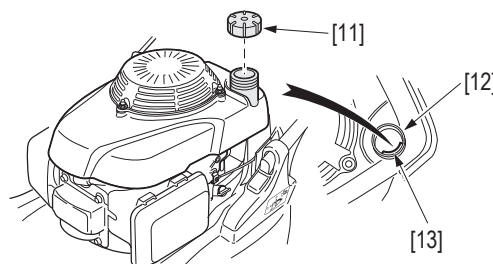
## CAUTION:

- Ensure that you use containers or drums specifically designed for hydrocarbons [10].
- Never use a petrol-oil mixture.
- Only use unleaded petrol 95 or 98.
- Do not let dirt, clippings, etc. get into the tank.
- Do not use dirty or contaminated fuel (water, dust, ...), or fuel which is too old. The quality of unleaded petrol deteriorates with time. Do not keep fuel for more than one month ([see page 14](#)).



## To check the fuel level:

1. Remove filler cap [11] and check fuel level.
2. Fill [12] tank if level is low. The maximum level is reached when the fuel is opposite mark [13].
3. Screw filler cap [11] fully on after filling.



**NOTE:** Fuel substitute products are not recommended. These may damage fuel system components.

## FUEL CONTAINING ALCOHOL

If you intend to use fuel with alcohol, ensure that its octane number is at least as high as that recommended by Honda (86). There are two types of fuel/alcohol mixtures: one contains ethanol and the other methanol.

Do not use mixtures containing more than 10 % ethanol, or fuel containing methanol (methyl or wood alcohol), which do not contain cosolvents, or corrosion inhibitors for methanol.

In the case of a mixture containing methanol with addition of cosolvents and corrosion inhibitors, limit the proportion to 5 % of methanol.

**NOTE:** The guarantee does not cover damage caused to the fuel system or engine performance problems resulting from the use of fuel containing alcohol. Honda does not give its approval to the use of fuels containing methyl alcohol since their suitability is not yet proven.

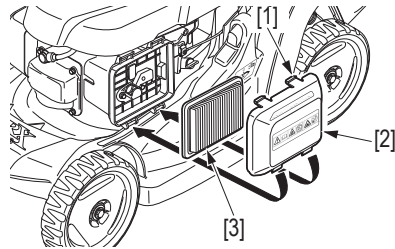
## CHECKING THE AIR CLEANER

### CAUTION:

- Never run the engine without the air cleaner fitted since this could cause premature engine wear.

To check the condition of the air cleaner:

1. Press the latch tabs [1] on the top of the air cleaner cover and remove the cover [2].
2. Check the cleanliness of filter element [3]. If the element is dirty, follow the cleaning procedure (see "Maintenance" chapter page 9).
3. Reinstall the filter [3] and air cleaner cover [2].



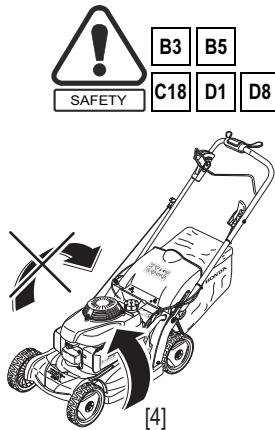
## CHECKING BLADE CONDITION

### CAUTION:

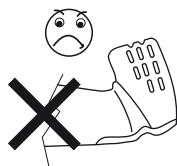
- Do not tilt the mower with the carburetor facing down; this will make the mower difficult to start later, due to engine oil contaminating the air cleaner.

To check blade condition:

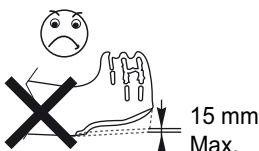
1. Stop the engine.
  2. Pull off the spark plug cap.
  3. Tilt the mower to the right so the fuel cap is up [4].
- Check if the blade is showing signs of wear. For your information, it is necessary to replace the blade when the recesses join together, or when a crack appears.



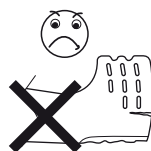
NORMAL



BENT



EXCESSIVELY WORN



CRACKED

- Check that blade bolts are tight (see "Maintenance" chapter page 9).
- To replace or remove the blade, refer to the procedure described in the "Maintenance" chapter page 9.

### WARNING:

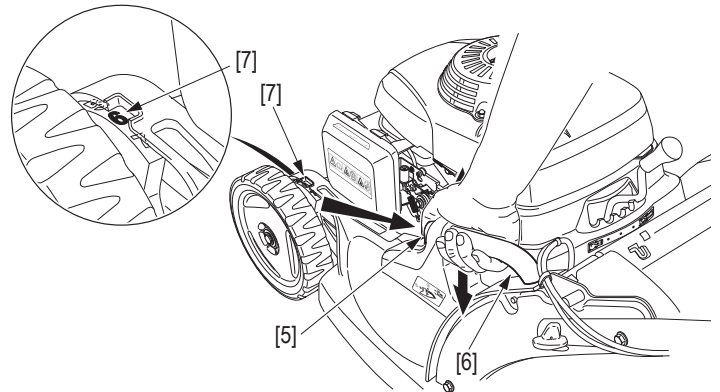
**Never operate the mower with a worn, damaged, split or dented blade. A piece of blade which breaks off and is thrown outwards can cause serious bodily injuries.**

**NOTE:** Blade wear is increased when the mower is used on sandy soils. Inspect the blade more often when the mower is used in these conditions.

## ADJUSTING CUTTING HEIGHT

To change the cutting height:

1. Stop the engine.
2. Keep the unlocking knob [5] pressed and raise or lower the lawnmower with the adjustment handle [6]. A height indicator [7] is near the front left wheel.

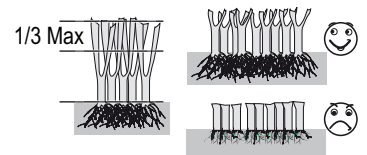


The cutting height settings are approximate values, the actual height of the cut grass varies with the lawn and ground condition. To choose the cutting height, check how the lawn looks after mowing a small area and adjust the cutting height where necessary.

### NOTE:

- Do not cut more than 1/3 of the initial height of the grass in one passage as brown spots will appear. The cut will be cleaner and this will limit the possibility of blade and chute blockage.
- If the lawn is too high, mow at the maximum permissible height of the mower. Mow the lawn again 2 or 3 days later.
- The depth of the roots is proportional to the height of the grass cuttings: the shorter the cut, the shallower the roots.
- Choose a cutting height suited to the use of the lawn: leisure, sport: 5 cm or more, ornamental: 1 to 3 cm.
- Only some species of lawn can endure short cuts. If a lawn is cut too short, it is fragile and susceptible to dryness. Please ask the advice of a specialist.

Positions	Height (mm)
1	25
2	34
3	43
4	52
5	61
6	70
7	79





# STARTING AND STOPPING THE ENGINE



## STARTING THE ENGINE

### CAUTION:

- Do not start the engine with the blade clutch lever or the drive clutch lever engaged.



[A]  
**FAST**

For restarting a hot engine and for mowing.



[B]  
**SLOW**

Selects engine idling speed.

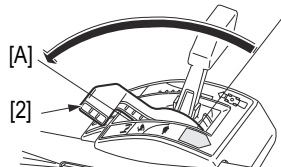
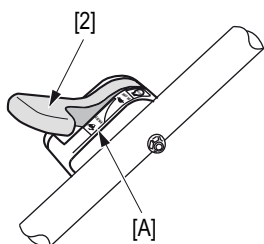


[C]  
**STOP**

Stops engine (Rotostop models).

### All models:

- Open the fuel cock [1].
- Place the throttle lever [2] in "FAST" position [A].

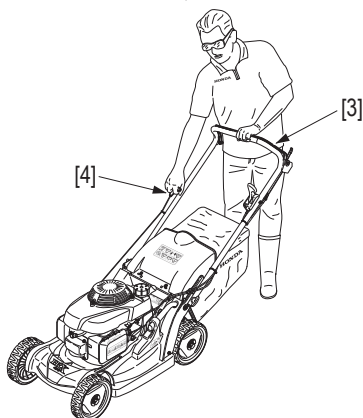


### PKEA, VKEA types:

- Keep the blade brake lever held [3] firmly against the handle when starting the engine.

### All models:

- Pull the starter [4] slowly until a resistance is felt; then pull sharply.



### NOTE:

- Do not let the starter spring back suddenly on its own; guide it back slowly.
- To adjust the engine speed when the mower is running, the throttle lever can be set anywhere between the "FAST" position [A] and "SLOW" position [B] positions. However, the best results are obtained in the "FAST" position [A].

### HYEA, VYEA types:

The engine may stall if the lever is in the "SLOW" position [B] when the blade clutch is engaged.

To facilitate starting, place the mower on a flat surface where the grass is not long.

## STOPPING THE ENGINE

### HYEA, VYEA types:

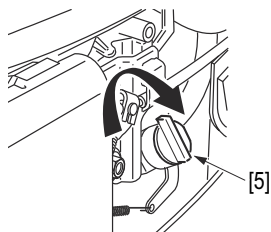
- Move the throttle lever to the "STOP" position [C].

### PKEA, VKEA types:

- Move the throttle lever to the "SLOW" position [B].
- Release the blade brake lever.

### All models:

- Turn the fuel cock "STOP" [5].



## FLOODED ENGINE

If the engine still refuses to start after several pulls on the starter, the engine may be flooded.

### To clear a flooded engine:

- Place the throttle lever in "STOP" position [C] (HYEA, VYEA types).
- Remove and dry the spark plug. When refitting the spark plug, screw it up until it is finger tight and correctly seated. Then using the plug spanner, tighten it an additional 1/8 to 1/4 turn so that the washer is correctly compressed.
- Next, place the throttle lever in "FAST" position [A] and repeat the operations previously mentioned under the heading "Starting the engine".

# OPERATING HINTS AND TIPS

## USING THE MOWER AT HIGH ALTITUDES

At high altitudes, the standard fuel/air mixture in the carburetor is much too rich: this will reduce performance and increase fuel consumption.

It is possible to improve the high altitude performance by fitting the carburetor with a smaller diameter jet and by adjusting the pilot screw. If you use your mower at an altitude of more than 1500 meters above sea level, we recommend that you have these modifications made by your approved Honda dealer.

Even with the appropriate modifications made to the carburetor, engine power will be reduced by about 3.5 % for every 300 meters of altitude. However, the altitude will have a much greater effect on power if these modifications are not carried out.

### CAUTION:

- Running the mower at an altitude less than that for which the carburetor is adjusted may cause overheating and seriously damage the engine, due to the gas/air mixture being far too weak.

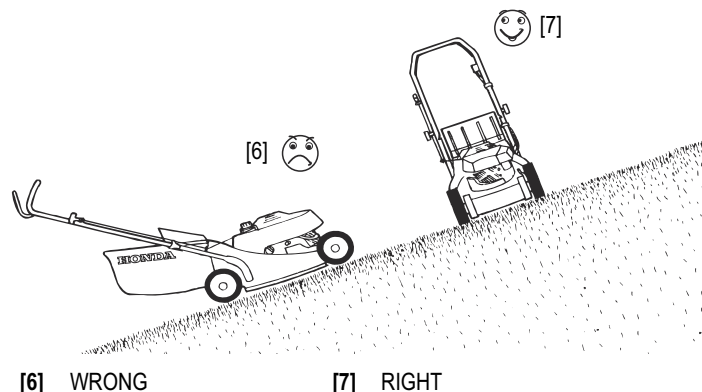
### ! WARNING :

Take special care when mowing on uneven or irregular ground. The mower may tip over, thus uncovering the blade; also, the blade may throw out objects which were previously hidden. Keep the four wheels firmly on the ground.

Control the direction of the mower using the handle and not by exerting pressure on the blade casing with your foot.

### CAUTION:

- When mowing around an obstacle, be careful that the blade does not hit it. Never push the mower directly over an object.
- When mowing an uneven area, do not let yourself be pulled along by the mower. Hold the handle firmly and control its movements.



**NOTE:** If the mower's speed becomes too slow when mowing on a slope, move the shift lever slightly towards the "FAST" position.

## MOWING PROCEDURE



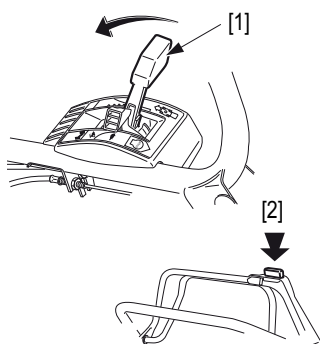
Read the safety instructions before starting to mow.

### HYEA type:

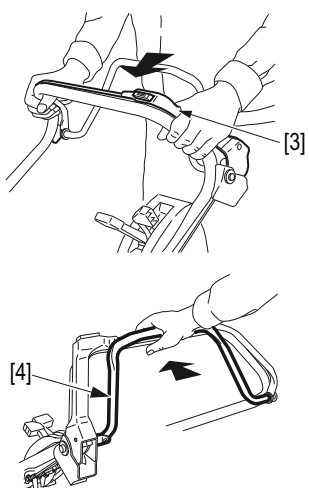
#### **WARNING :**

**Always release the blade clutch lever and the drive clutch lever before starting the engine. Starting is more difficult when the blade is engaged. If the clutch is engaged, the mower will move when the engine is started.**

1. Select the suitable forward speed thanks to the shift lever [1].
2. Engage the blade:
  - Press the yellow button [2] located on the top of the blade clutch lever [3], and at the same time push it quickly and hold it against the handle.



3. Engage mower forward drive when the motor has picked up speed:
  - The drive clutch lever [4] acts as a variable speed control according to its squeezed position. It makes the speed vary between zero and the maximal speed preset with the shift lever. The maximum speed can be reached when both levers [3] and [4] are pushed forward completely. The greater the height of the grass to be cut, the more it is necessary to reduce the drive speed of the machine. This will prevent overloading the engine and improve the quality of the cut.



4. To stop the mower moving forward:
  - Release the drive clutch lever [4].
5. To stop the blade rotating:
  - Release the blade clutch lever [3].

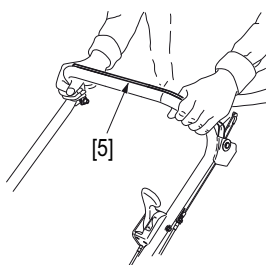
**NOTE:** It is possible to refrain from using the forward drive while mowing in areas with a narrow surface. The drive clutch can be used to move the mower without engaging the blade clutch (lanes, borders, etc.).

#### **CAUTION:**

- Move the blade clutch lever quickly from one end of its travel to the other, so that the blade is always either fully engaged or fully disengaged. This is to avoid stalling the engine and increases the service life of the blade control mechanism.

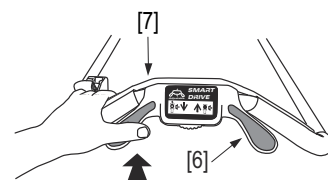
### PKEA type:

**NOTE:** Releasing the blade brake lever [5] stops the blade rotating and stops the engine.



### VKEA type:

1. Engage mower forward drive [7] when the motor has picked up speed.
  - Push the Smart Drive [6] slowly make the mower move forward.
  - The drive speed increases depending on the pressure exerted on the Smart Drive.
  - Apply only the pressure necessary to obtain the required speed. At a given position, the lawn mower speed varies according to several factors, such as the terrain, grass height, slope and weight of the grass bag. The Smart Drive is designed to allow you to maintain the desired drive speed under constantly changing grass cutting conditions.
2. To stop the mower moving forward:
  - Release the Smart Drive lever [6].
3. To stop the blade rotating:
  - Release the blade clutch lever [7].



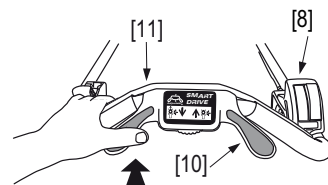
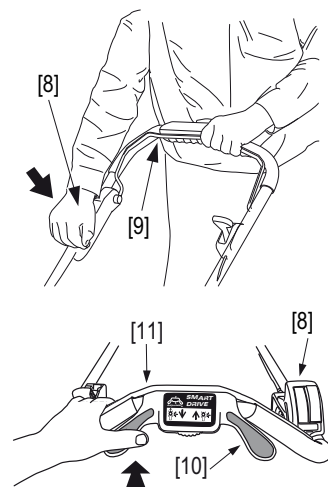
**NOTE:** Releasing the blade brake lever stops the blade rotating and stops the engine.

### VYEA type:

#### **WARNING :**

**Always release the blade clutch lever and the drive clutch lever before starting the engine. Starting is more difficult when the blade is engaged. If the clutch is engaged, the mower will move when the engine is started.**

1. Engage the blade:
  - Press the unlocking knob [8] and keep it pressed.
  - Pull the blade clutch lever towards you [9].
  - Release the unlocking knob [8] when the blades are engaged.
2. Engage mower forward drive when the motor has picked up speed:
  - Push the Smart Drive [10] slowly make the mower move forward.
  - The drive speed increases depending on the pressure exerted on the Smart Drive.
  - Apply only the pressure necessary to obtain the required speed. At a given position, the lawn mower speed varies according to several factors, such as the terrain, grass height, slope and weight of the grass bag. The Smart Drive is designed to allow you to maintain the desired drive speed under constantly changing grass cutting conditions.
3. To stop the mower moving forward:
  - Release the Smart Drive lever [10].
4. To stop the blade rotating:
  - Release the blade clutch lever [11].



**NOTE:** It is possible to refrain from using the forward drive while mowing in areas with a narrow surface. Likewise, the drive clutch can be used to move the mower without engaging the blade clutch (lanes, borders, etc.).

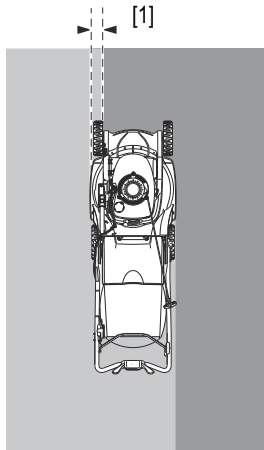


### CAUTION:

- Move the blade clutch lever quickly from one end of its travel to the other, so that the blade is always either fully engaged or fully disengaged. This is to avoid stalling the engine and increases the service life of the blade control mechanism.

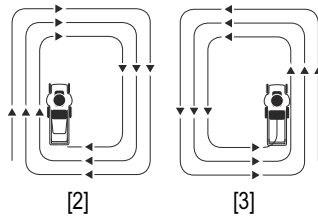
### NOTE:

- Mowing frequency: once a week for a lawn intended for leisure purposes, twice a week for an ornamental lawn.
- If possible, mow the lawn in the afternoon or evening before sprinkling, as the grass must be dry. If dust levels are too high, mow the lawn when the grass is dry, but the ground is still damp.
- Choose a cutting height adapted to the terrain (see page 5).
- For a regular cut, you should overlap the part that has already been cut by a few centimetres [1], and increase this overlap zone if the cutting height is high.
- To achieve maximum efficiency, follow the suggested path.
- If your terrain does not have a regular shape or involves several obstacles, divide it into internal parcels which you can mow in the recommended direction.



[2] With collection: turn in a clockwise direction to achieve the maximum efficiency.

[3] With the mulching kit (optional, page 15): turn in an anti-clockwise direction.



## EMPTYING THE GRASS BAG

When the grass bag becomes too full, grass collection is no longer efficient (the sound of the mower changes and the bag is no longer puffed up by the air from the blade).

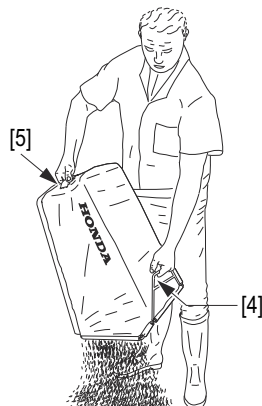


### HYEA, VYEA types:

1. Release the blade clutch lever.

### PKEA, VKEA types:

1. Release the blade brake lever.
2. Remove the grass bag (see page 4).
3. Empty the bag:
  - Hold the bag by the metal handle [4].
  - Grasp handle [5] and shake the bag to remove the grass.



### CAUTION:

- To reduce the fire risk, never leave grass cuttings or leaves in the grass bag, or in or near buildings. Decomposing grass cuttings matter causes a high temperature rise.

### WARNING :

Before use, check that the bag closing device is correctly positioned (discharge guard).

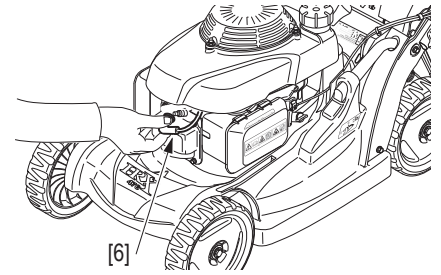
# MAINTENANCE

Regular maintenance is the guarantee of a long lifetime for your mower.



### WARNING :

To avoid the mower starting accidentally, pull off the spark plug cap [6] before carrying out maintenance work.



### CAUTION:

- The engine and the muffler reach temperatures high enough to cause burns and start fires if flammable materials are to be found nearby.
- Allow the engine to cool down for 15 minutes before carrying out maintenance operations.

**NOTE:** To assure a longer lifetime and more efficient operation, the underside of the mower must be kept clean and free of grass debris by cleaning with a brush and scraper. After use the mower must be cleaned thoroughly before being stored.

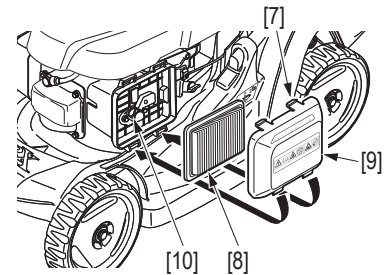
## AIR CLEANER MAINTENANCE

A dirty air cleaner will reduce the flow of air to the carburetor. To prevent the carburetor operating inefficiently, the air cleaner must be regularly maintained.

### WARNING :

Never clean the air cleaner element using gas or flammable solvents; this could cause a fire or an explosion.

1. Press the latch tabs [7] on the top of the air cleaner cover, and remove the cover [9].
2. Inspect air filter [8] and replace it if it is damaged.
3. Tap the filter several times on a hard surface to remove dirt or blow compressed air (not exceeding 2.1 kgf/cm<sup>2</sup>, 30 psi) through the filter from the clean side that faces the engine.



**NOTE:** The filtering element [8] must be dry in order to work correctly. Do not soak with oil.

4. Wipe dirt from the inside of the air cleaner cover [9] and clean case, using a moist rag.

**NOTE:** Be careful to prevent dirt from entering the air duct [10] that leads to the carburetor.

5. Reinstall the filter [8] and air cleaner cover [9].

## ENGINE OIL CHANGE

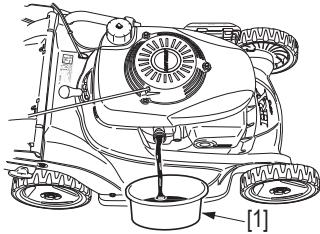
Drain the oil while the engine is still hot, so that the oil drains quickly and completely.

### CAUTION:

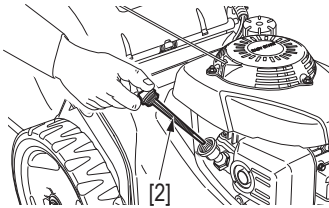
- Used engine oil can cause skin cancer if it remains in contact with the skin for long periods.

Although this is highly unlikely unless you handle used oil every day, we recommend that you wash your hands thoroughly with soap and water each time you handle used engine oil.

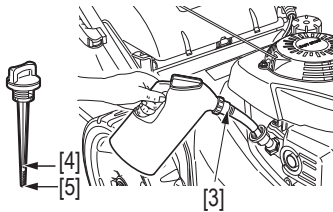
- Tip the mower on its side.
- Place a receptacle [1] under the casing filler tube hole. And rock the mower on the right side.



- Remove the oil filler cap [2].
- Return the mower to the upright position on its wheels when the casing is completely empty.



- Fill up [3] to "high level" [4] using the recommended oil (see page 6).



- Screw the filler cap fully on to avoid the risk of leaks.

**NOTE:** The used engine oil must be disposed of in a manner which respects the environment.

We recommend that you take it to a service station which will ensure that it is recycled. Never dispose of used engine oil in dustbins or pour it away on the ground, in the gutter or down the drains.

## CHECKING THE SPARK PLUG

Recommended plugs: NGK - BPR5ES

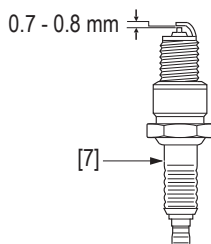
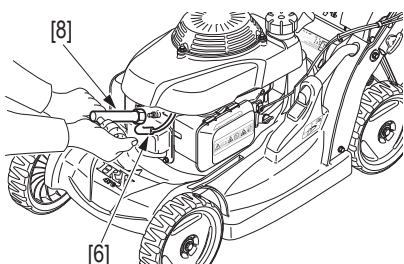
### CAUTION:

- Use only recommended spark plugs. Using spark plugs with inappropriate temperature ranges may damage the engine.

### WARNING :

If the engine has just been run, do not touch the muffler and the spark plug which will still be very hot.

- Pull off spark plug cap [6] and remove spark plug [7] using a plug spanner [8].



- Carefully inspect the spark plug. Replace the plug if there are a lot of deposits or if the insulator is cracked or broken.
- Measure the plug gap using a set of feeler gauges; the gap must be between 0.7 and 0.8 mm. If adjustment is necessary, carefully bend the side electrode.
- Check that the sealing washer is in good condition; then screw the plug down by hand until finger tight and correctly seated.
- Using a plug spanner, give an additional 1/2 turn for a new spark plug, to compress the washer. If you refit the same plug, just 1/8 to 1/4 turn will do from the finger tight position.
- Refit the spark plug cap.

### CAUTION:

- The spark plug must be correctly tightened. A plug incorrectly screwed down can become very hot and damage the engine.

## MAINTENANCE OF SPARK ARRESTER (OPTIONAL PART)

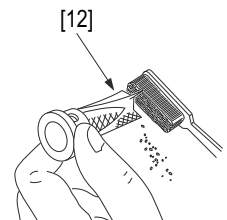
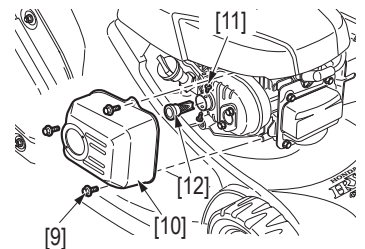


(In Europe and other countries where the machinery directive 2006/42/EC is enforced, this cleaning should be done by your servicing dealer).

### WARNING :

If the mower has just been run, the silencer will still be very hot. Allow it to cool down before carrying out this operation. In some regions, it is prohibited to operate an engine without a spark arrester.

- Remove the three flange bolts [9] from the muffler protector [10] and remove the muffler protector.
- Remove the two tapping screws [11] from the spark arrester [12] and remove the spark arrester from the muffler.
- Check the carbon deposits around the exhaust port and spark arrester. Clean if necessary.
- Replace the spark arrester if there are any breaks or tears.
- Install the spark arrester [12] and muffler protector [10] in the reverse order of removal.



## CARBURETOR ADJUSTMENT



### CAUTION:

- It is recommended to ask your Honda dealer for adjustment.

**Specified idle speed: 1 700 ± 150 rpm**

**Operating speed: 2 800 <sup>+0</sup> -100 rpm**

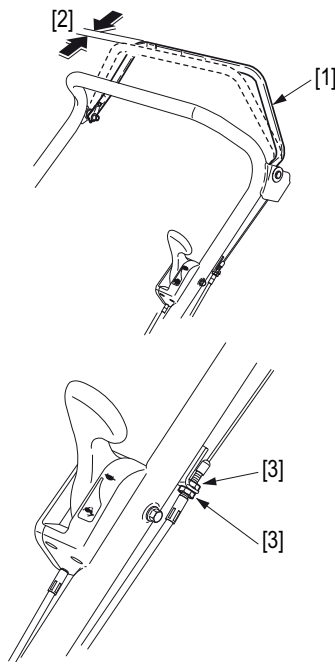
## BLADE BRAKE CABLE ADJUSTMENT

### PKEA type:

1. Stop the engine and disconnect the spark plug cap.
2. Release the blade brake lever [1] and verify that there is a strong resistance when pulling on the recoil starter.

### If not:

3. Measure clearance [2] at the tip of the lever [1] (30 to 35 mm clearance).
4. If adjustment is necessary, loosen the lock nuts [3] and adjust as required. Tighten the lock nuts and check the clearance again.
5. Start the engine and release the blade brake lever. Check that the blade and the engine stop when the lever is released. If not, take the mower to an approved Honda dealer.

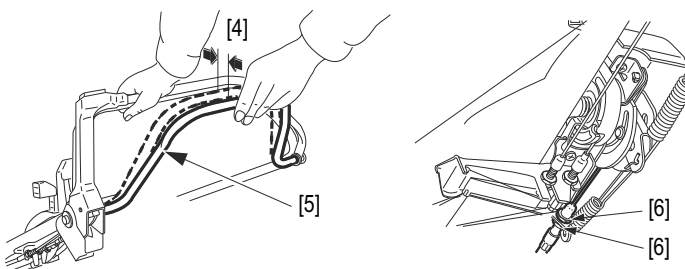


## SHIFT CABLE ADJUSTMENT

### HYEA type:

Measure the free play [4] on the side of lever [5] as shown.

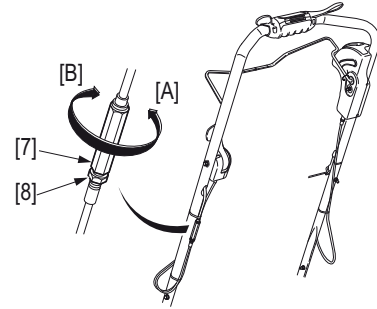
1. Place the gear stick in the fastest position and loosen the locknuts [6].
2. Relax or tighten the cable as necessary so that a free play of 1 to 5 mm is achieved.
3. Retighten the locknuts [6] and recheck the free play [4].
4. Start the engine in the open air and operate the clutch lever. Check that the clutch engages and disengages correctly.



### VYEA type:

Perform this procedure with the wheels on a level surface.

1. Loosen the Smart Drive clutch cable lock nut [8].
2. Start the engine.
3. Without engaging the Smart Drive grip, turn the clutch cable adjuster [7] in the "MOVE" [A] direction until the lawn mower just begins to move forward.
4. Turn the clutch cable adjuster 1 ~ 2 turns in the "STOP" [B] direction.
5. Tighten the clutch cable lock nut.
6. Check the operation of the Smart Drive system.



### All models:

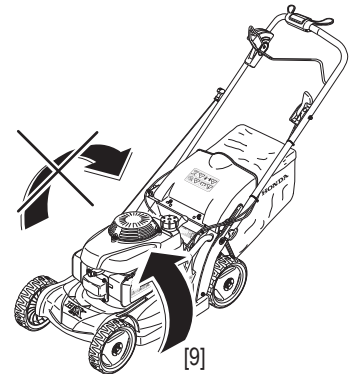
**NOTE:** If the clutch does not engage correctly even when the cable is correctly adjusted, the system may need to be repaired. Take the mower to an approved Honda dealer.

## BLADE FITTING AND REMOVAL



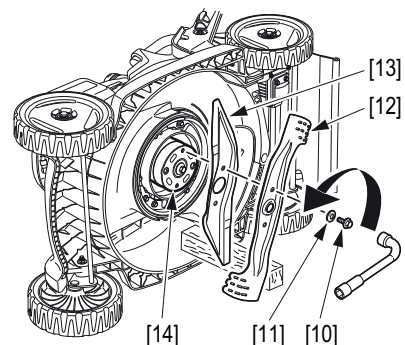
### BLADE REMOVAL

1. Place the throttle lever in "STOP" position (Rotostop drive models).
2. Turn the fuel valve "OFF" and disconnect the spark plug cap from the spark plug.
3. Tilt the mower so that the carburetor faces upwards [9].
4. Use a 14 mm socket wrench and remove the two blade bolts [10] and special washers [11] from the blade [14] control assembly.



Use a wooden block to prevent the blades from turning when removing the bolts.

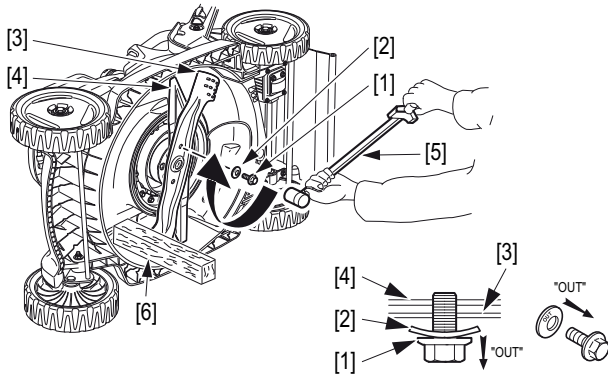
5. Remove the upper [13] and lower blades [12].



## BLADE INSTALLATION

1. Clean dirt and grass from around the blade mounting area.
2. Install both blades [3] and [4] using the two blade bolts [1] and special washers [2] as shown. Fit the special washers with their convex side, marked "OUT", facing the bolts.  
The blade bolts are specially designed for this application and must not be replaced with other bolts.
3. Tighten the blade bolts with a torque wrench [5].  
Use a wooden block [6] to prevent the blades from turning.

**Blade bolt torque: 49 ~ 59 Nm**



### CAUTION:

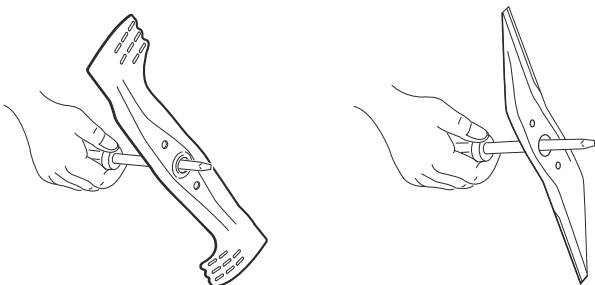
- If you do not have a torque wrench, ask your approved Honda mower dealer to tighten the blade bolts for you before you use the mower.
- If the blade bolts are too tight or too slack, they may break or unscrew.

### ⚠ WARNING :

Operating this mower with only one blade will result in an improperly seated blade that can be thrown from the mower and seriously hurt or kill someone. Always install both blades as a set.

**NOTE:** Never tip the mower so that the carburetor faces down; this will make starting difficult.

## BLADE REPLACEMENT



### CAUTION:

- Blade balance is critical to proper mower performance. Replace any blade that is damaged or out of balance.
- Use only genuine Honda replacement blades.

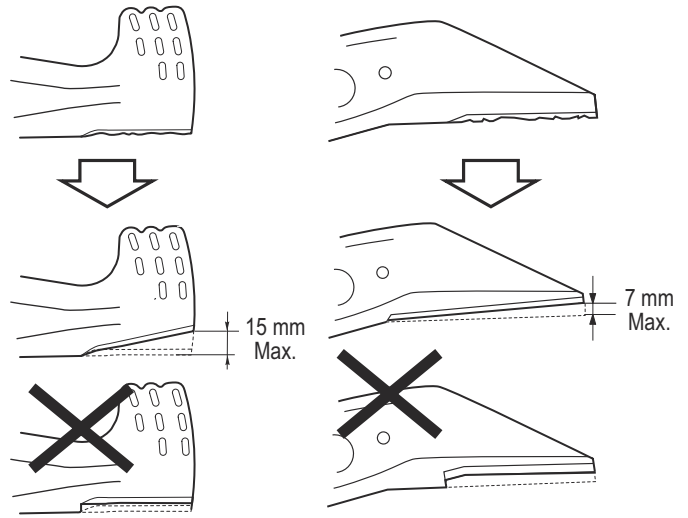
## BLADE SHARPENING

1. Sharpen the blade cutting edges with a file. File the top side only. Maintain the original bevel for a fine cutting edge. File both ends evenly to maintain blade balance.

2. After sharpening, test the blade's balance using a screwdriver as shown. If either side dips slightly below the horizontal, file that side. Replace the blade if it dips excessively.

### CAUTION:

- To avoid weakening the blade, causing it to become unbalanced or getting a bad quality of cut, the blade should be sharpened by competent personnel at your Honda dealer's.



## GRASS BAG CLEANING AND REPLACEMENT

### BAG CLEANING



### CAUTION:

- Washing with a high pressure water or steam jet will damage the bag.
- Blocked mesh will prevent the grass from entering the bag.
- To clean the bag, we recommend washing it using a water jet directed from the outside to the inside of the bag. The bag must be completely dry before being used again. If the bag is damp, it will become clogged very quickly.



### ⚠ WARNING :

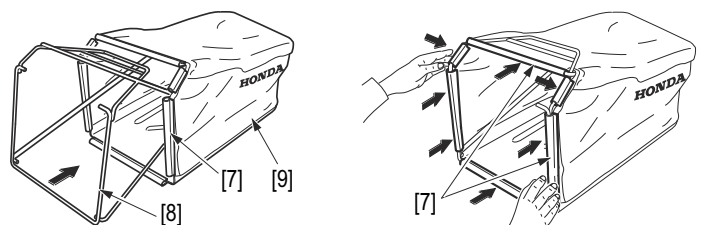
Objects struck by the blade may be thrown through a torn or damaged grass bag.

Objects thrown out by the blade can cause serious injuries. Always replace a torn or damaged grass bag.

## BAG REPLACEMENT

The grass bag tends to wear even in normal conditions of use. Regularly check that it is not frayed or torn. Replace a damaged bag only by a genuine Honda replacement bag.

1. Detach the plastic edges [7] of the worn bag [9] and remove the bag's frame [8].
2. Insert the frame into the new bag and fit the plastic edges [7] to the frame.



## MAINTENANCE SCHEDULE

Maintenance to be carried out at the intervals indicated in months or in operating hours which ever occurs first.		Frequency				
		Each use	First month or 5 hours	Every 3 months or 25 hours	Every 6 months or 50 hours	Every year or 100 hours
Item	Intervention					
Engine oil	Check level					
	Change				(1)	
Air cleaner element	Check					
	Clean			(1)		
	Change					(1)
Grass bag	Clean					
Blade screw tightness and blade condition	Check					
Spark plug	Check					
	Clean					
Spark arrester (Optional part)	Clean				(6)	
ROTOSTOP cable (3)	Check		(2)		(2)	
	Adjust if necessary		(2)		(2)	
Blade brake cable (4)	Check					
	Adjust if necessary		(2)		(2)	
ROTOSTOP (3)	Check		(2)		(2)	
Shift cable (5)	Check					
Throttle cable	Check		(2)		(2)	
	Adjust if necessary		(2)		(2)	
Valve clearance	Adjust if necessary					(2)
Fuel tank and filter	Clean				(2)	
Fuel lines	Check (replace if necessary)	Every 2 years (2)				
Flywheel brake shoe (4)	Check			(2)		
Drive belt (5)	Check				(2)	
Mower deck	Clean					

- (1) Increase cleaning frequency when mower is used in dusty areas.
- (2) Maintenance of these points must be carried out by a Honda dealer.
- (3) HYEА, VYEА types
- (4) PKEA, VKEA types
- (5) HYEА, VKEA, VYEА types
- (6) In Europe and other countries where the machinery directive 2006/42/EC is enforced, this cleaning should be done by your servicing dealer.

# TROUBLESHOOTING

## ENGINE WILL NOT START

Possible cause	Correction
Fuel valve OFF (closed).	Turn the fuel valve ON (open) (page 7).
Throttle lever in the wrong position.	Move the throttle lever to the "FAST" position (page 7).
Out of fuel.	Refuel (page 4).
Bad fuel; mower stored without treating the petrol, or refueled with bad petrol.	Refuel with fresh petrol (page 4).
Spark plug faulty, fouled, or improperly gapped.	Gap or replace the spark plug (page 10).
Spark plug wet with fuel (flooded engine).	Dry and reinstall the spark plug. Start the engine, with the throttle lever lever in "FAST" position.
Fuel tank vent blocked, carburettor clogged or ignition faulty.	Maintenance of these points must be carried out by a Honda dealer.
The blade brake lever is not firmly held against the handle (models fitted).	The blade brake lever must be held firmly against the handle for starting the engine (page 11).

## LOSS OF POWER

Possible cause	Correction
Throttle lever not set to "FAST".	Move the throttle lever to "FAST" (page 7).
Grass is too tall to cut.	Raise the cutting height (page 5), cut a narrower swath, use a slower ground speed (page 9), or cut more frequently.
Mower deck is clogged.	Clean out the mower deck (page 11).
Air cleaner is clogged.	Clean or replace the air cleaner (page 9).
Bad fuel; mower stored without treating the petrol, or refueled with bad petrol.	Refuel with fresh petrol (page 4).
Fuel tank vent blocked, carburettor clogged or ignition faulty.	Maintenance of these points must be carried out by a Honda dealer.

## MOWING AND BAGGING PROBLEMS

Possible cause	Correction
Engine speed is too slow to cut well.	Move the throttle lever to the "FAST" position (page 7).
Mower is moving too "FAST" for lawn conditions.	Select a lower gear (equipped models) or push more slowly.
Grass bag overfilled or clogged.	Empty the grass bag. Wash the grass bag if it is clogged with dirt (pages 9 and 12).
Mower deck is clogged.	Clean out the mower deck (page 11).
Blades dull, worn, or damaged.	Sharpen or replace the blades if necessary (page 12).
Wrong blades installed.	Install correct blades (page 12).

## VIBRATIONS

Possible cause	Correction
Blades loose, bent, damaged, or unbalanced by improper sharpening.	Tighten loose blade bolts. If blades are found to be bent or damaged, take the lawn mower to an authorized Honda servicing dealer for inspection (page 12).
Mechanical damage, such as a bent crankshaft.	Maintenance of these points must be carried out by a Honda dealer.

# STORAGE

## PREPARATION FOR STORING THE MOWER



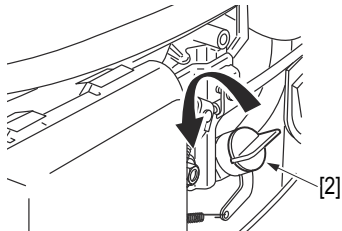
Carry out the following operations to protect the mower each time it is to be stored for a period of more than 30 days.

### ⚠ WARNING :

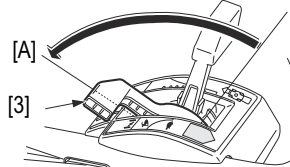
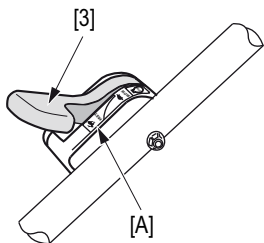
**Do not drain the fuel tank while the muffler is hot.**

1. Drain the fuel tank and the carburettor into a suitable receptacle [1]:

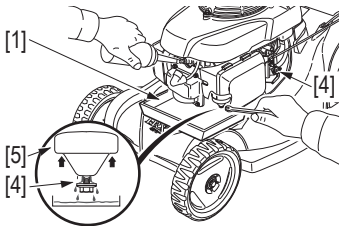
- a. Open the fuel cock [2].



- b. Place the throttle lever [3] in "FAST" position [A] ←.



- c. Unscrew the carburettor float bowl retaining bolt [4] (1/4 to 1/2 turn maximum).



- d. Lift up the carburettor float bowl against the body of the carburettor [5] allowing the fuel to drain.

- e. Refit the drain plug and close the fuel shut-off valve [2].



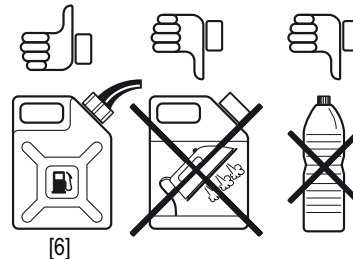
2. Change the engine oil (see page 10).
3. Pull the starter slowly until a resistance is felt. This closes the valves and protects them from dust and corrosion.
4. Coat all surfaces liable to rust with a thin film of oil. Cover the mower and store it on a flat surface in a dry, dust free place. Do not use a plastic cover since this retains dampness.

**NOTE:** If the mower is to be stored for a period of more than 3 months, remove the spark plug and pour 5 to 10 cc of clean engine oil into the cylinder; then pull the starter slowly two or three times to spread the oil. Do not leave the mower lying on its side over long periods. This may cause difficult starting and gear oil leaks.

## FUEL STORAGE

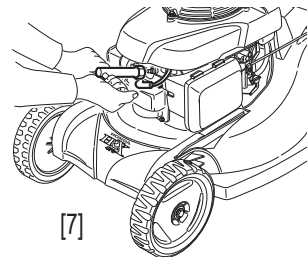
### NOTE:

- Petrol will oxidize and deteriorate in storage. Old petrol will cause hard starting, and it leaves gum deposits that clog the fuel system. If the petrol in your engine deteriorates during storage, you may need to have the carburetor and other fuel system components serviced or replaced.
- Ensure that you use containers or drums specifically designed for hydrocarbons [6]. This will prevent polluting the fuel through the dissolution of the container walls, which will lead to poor functioning of the engine.
- Store the fuel in a dark place, in a room at constant temperature (avoid garden sheds).
- The warranty does not cover a blocked carburetor or valves jammed by old or polluted fuel.
- The quality of unleaded petrol alters very quickly (2 to 3 weeks in some cases). Do not use fuel more than 1 month old. Store the absolute minimum required for your monthly consumption.

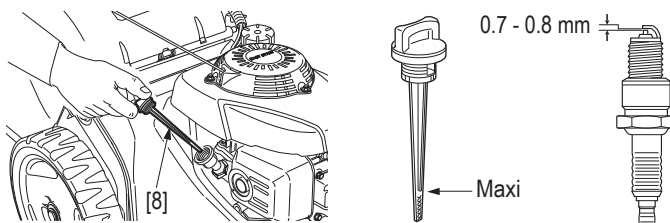


## USING THE MOWER AFTER A STORAGE PERIOD

1. Remove the spark plug [7], check that it is clean and that the electrode gap is correct. Pull the starter several times.



2. We recommend that the spark plug be screwed down as far as possible by hand until finger tight; then use a plug spanner to tighten it by an extra 1/8 or 1/4 turn.
3. Check the level and condition of the engine oil [8].



4. Fill the fuel tank and start the engine.

**NOTE:** If the cylinder has been coated with oil, the engine will smoke on start-up. This is normal.

# TRANSPORT

## TRANSPORTING THE MOWER

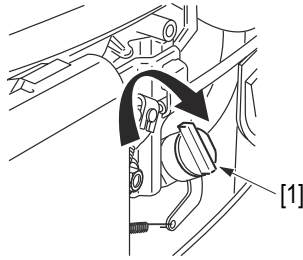


### WARNING :

Do not tilt the mower since this may cause fuel or oil spillage; spilled fuel or even fuel vapours are a fire hazard.

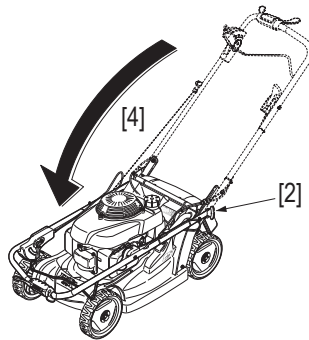
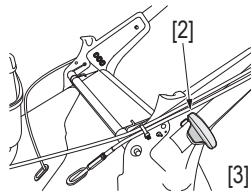
To transport the mower:

1. Place the throttle lever in "STOP" position (except PKEA, VKEA types).
2. Pull off the spark plug cap.
3. Close the fuel shut-off valve [1].



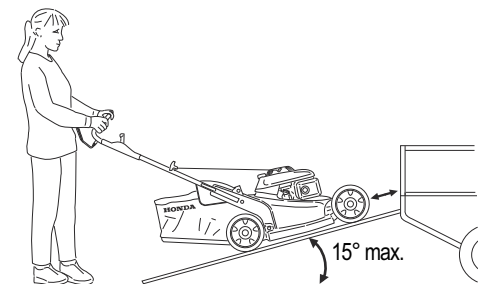
To facilitate the operation:

1. Remove the grass bag (see page 12).
2. Turn the folding/handle adjustment knobs [2] a quarter turn to unlocked position [3].
3. Fold back the handle [4].



**NOTE:** After folding the handle, check that the cables are not kinked, twisted or stretched.

## LOADING THE MOWER



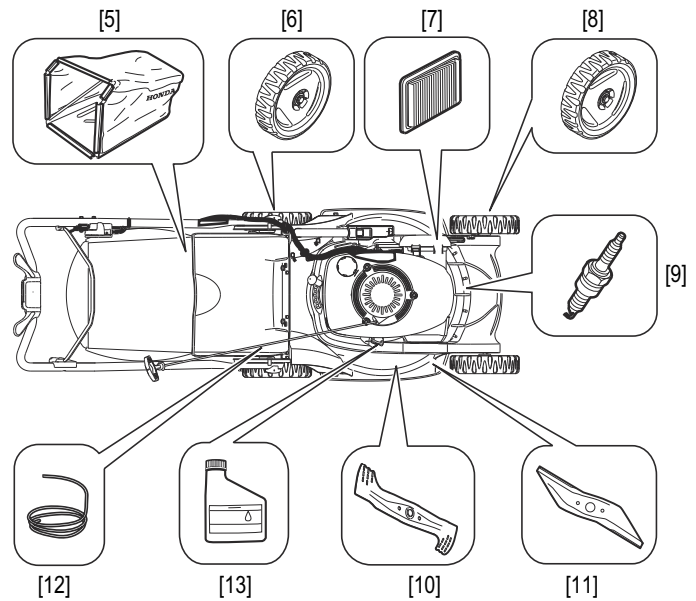
### CAUTION:

- To prevent losing control of or damaging the mower, do not use the drive system when going up or down a loading ramp.
- To prevent damaging the drive system, do not engage the clutch when the mower is rolling backwards.
- Transport the mower in normal horizontal position with its four wheels flat on the vehicle platform.
- We recommend that you use a loading ramp or that you get someone to help you load and unload the mower.
- Adjust the loading ramp so that it is inclined at an angle of less than 15°.
- When transporting the mower, immobilise it using straps and place chocks under the wheels.
- The straps must not touch the following parts of the mower: throttle lever, blade clutch lever, gas tank and all the control cables.

# USEFUL INFORMATION

## FIND AN APPROVED DEALER

Please refer to the European Internet site:  
<http://www.honda-eu.com>



## CURRENT PARTS, OPTIONAL ACCESSORIES AND CONSUMABLES

To buy one of the original parts listed below, or any other part, please contact an approved Honda reseller.

		HRX476C	
<b>Current parts</b>			
[5]	Grass bag	81320-VK8-J50	Bag only (without frame)
[6]	Rear wheel	42710-VK8-J50ZA	
[7]	Air filter	17211-ZL8-023	Filter paper
[8]	Front wheel	44710-VK8-J50ZA	
[9]	Spark plug	98079-55846	NGK (brand): BPR5ES (model)
[10]	Standard blade	72511-VK8-J50	Requires use of a dynamometric key
[11]		72531-VK8-J50	
[12]	Recoil starter rope	28462-ZL8-631	Ask your Honda dealer to replace these
<b>Consumables</b>			
[13]	Engine oil	08221-888-061HE SAE 10W30, 0.6 l	Oil for 4-stroke engines

### WARNING :

For your safety, it is strictly prohibited to install any other attachment than the ones listed above and especially designed for your lawn mowers's model and type.



# TECHNICAL SPECIFICATIONS

MODEL		HRX476C			
TYPES		PKEA	VKEA	VYEA	HYEA
<b>GENERAL CHARACTERISTICS</b>					
Description code		MASF			
Function		Cutting of grass			
Dimensions L x W x h	mm	1 600 x 530 x 1 010	1 545 x 530 x 960		1 610 x 530 x 1 035
Dry weight	kg	36	39	42	44
Track FR/RR	mm	430 / 453			
Cutting width	mm	470			
Cutting heights settings	mm	7 positions (25 to 79 mm)			
Rear/Front wheel diameter	mm	212 / 212			
Grass bag capacity	ℓ	69			
Sound pressure level at operator's ears (in accordance with directive EN 836: 1997 + AC: 2011)	dB(A)	81.5			
Measuring uncertainty	dB(A)	1			
Measured sound power level (in accordance with directives 2000/14/EC, 2005/88/EC)	dB(A)	94			
Measuring uncertainty	dB(A)	1			
Sound power level guaranteed (in accordance with directives 2000/14/EC, 2005/88/EC)	dB(A)	95			
Vibration test (in accordance with directives EN 836: 1997 + AC: 2011, EN12096-D: 1997)(**)	m/s <sup>2</sup>	2.8			
Measuring uncertainty	m/s <sup>2</sup>	0.9			
<b>ENGINE</b>					
Model		GCV160A			
Type		Air-cooled overhead valve four-stroke engine			
Displacement	cc	160			
Bore x Stroke		64 x 50			
Cooling		Forced air			
Lubrication		Spray lubrication			
Compression ratio		8.5 : 1			
Net power (*)	kW/rpm	3.3 / 3 600			
Rated power	kW/rpm	2.7 / 2 800			
Operating speed	rpm	2 800 <sup>+ 0</sup> <sub>- 100</sub>			
Idle speed	rpm	1 700 ± 150			
Ignition		Transistorised magneto ignition			
Spark plug		NGK : BPR5ES			
Electrode gap	mm	0.7 to 0.8			
Air cleaner		Dry (paper) type			
Recommended fuel		Unleaded 95 or 98			
Fuel tank capacity	ℓ	0.91			
Fuel consumption	ℓ/h	1.1			
Running time on tank of fuel (*)	h	0.8			
Recommended oil		SAE 10W30			
Engine oil capacity	ℓ	0.5			
<b>TRANSMISSION</b>					
Type		-	Friction by cones		Hydrostatic
Engine to drive		-	V-belt		
Final transmission		-	Gear		
Number of speeds		-	Continuous variation		
Forward speed	m/s	-	0 ~ 1.4		
Lubrication		-	Oil bath and projection		
Recommended oil		-	SAE 10W30 API Grade SL / SJ		Honda HST
Oil capacity	cc	-	150		140

(\*) The power rating of the engine indicated in this document is the net power output tested on a production engine for the engine model GCV160A and measured in accordance with SAE J1349 at 3 600 rpm (Net Power). Mass production engines may vary from this value. Actual power output for the engine installed in the final machine will vary depending on numerous factors, including the operating speed of the engine in application, environmental conditions, maintenance, and other variables.

(\*\*) Values for a machine equipped with a grass bag, in a grass collector position.



# INTRODUCTION

Madame, Monsieur,  
 Vous venez de faire l'acquisition d'une tondeuse à gazon Honda et nous vous remercions de votre confiance.  
 Ce manuel a été établi pour vous familiariser avec votre tondeuse, vous permettre de l'utiliser dans les meilleures conditions et d'effectuer son entretien.  
 Soucieux de vous faire profiter au maximum des évolutions technologiques, des nouveaux équipements ou matériaux et de notre expérience, les modèles sont régulièrement améliorés ; c'est pourquoi les caractéristiques et les renseignements contenus dans ce manuel peuvent être modifiés sans avis préalable et sans obligation de mise à jour.  
 En cas de problème ou encore pour toute question relative à la tondeuse, adressez-vous à votre concessionnaire ou à un revendeur agréé Honda.  
 Conservez ce manuel à portée de main pour le consulter à tout moment et assurez-vous, qu'en cas de revente, il accompagne bien la tondeuse.  
 Nous vous recommandons de lire la police de garantie pour bien comprendre vos droits et vos responsabilités. La police de garantie est un document séparé fourni par votre concessionnaire.  
 Aucune reproduction, même partielle, de la présente publication, ne peut se faire sans autorisation écrite préalable.

## CONSIGNES DE SÉCURITÉ

Pour votre sécurité et votre confort d'utilisation, la lecture complète de ce manuel est fortement recommandée.  
 Faire attention à ces symboles et à leur signification :

### ⚠ ATTENTION :

Mise en garde contre un risque de blessures corporelles graves ou même de mort, en cas de non observation des instructions.

### ⚠ PRÉCAUTION :


Mise en garde contre un éventuel risque de blessures corporelles ou d'endommagement du matériel, en cas de non-observation des instructions.

**NOTE :** Source d'informations utiles.

## EXPLICATION DES CODES UTILISÉS DANS CE MANUEL

HRX476C	H Y E A	P K E A	V K E A	V Y E A
Autotractés à transmission hydrostatique . . . . .	•			
Poussés . . . . .		•		
Autotractés à transmission à vitesse variable . . . . .			•	•
Frein de lame . . . . .		•	•	
Rotostop . . . . .	•			•

Le modèle de votre machine est indiqué sur "l'étiquette d'identification" et il est composé d'une série de lettres et de chiffres (voir page 3).

 \_\_\_\_\_  
 Inscrivez ici le numéro de série de la machine

\_\_\_\_\_   
 Inscrivez ici le modèle de la machine

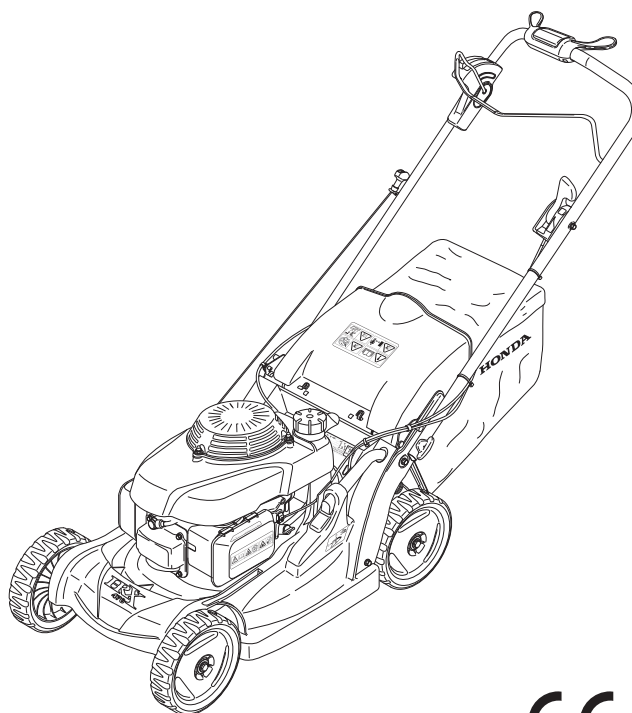


# MANUEL DE L'UTILISATEUR

Notice originale

## HRX476C

### Tondeuses à gazon



FRANCAIS

## TABLE DES MATIÈRES

Introduction . . . . .	1
Consignes de sécurité . . . . .	2
Étiquettes de sécurité . . . . .	3
Identification de la machine . . . . .	3
Description générale . . . . .	3
Préparation et vérifications avant utilisation . . . . .	4
Sélection du mode de tonte . . . . .	6
Mise en marche et arrêt du moteur . . . . .	7
Conseils d'utilisation . . . . .	7
Entretien . . . . .	9
Dépistage des pannes . . . . .	13
Remisage . . . . .	14
Transport . . . . .	15
Informations utiles . . . . .	15
Spécifications techniques . . . . .	16
Adresses des principaux concessionnaires Honda . . . . .	17
DESCRIPTION DU CONTENU de la « Déclaration de conformité CE » . . . . .	18

# CONSIGNES DE SÉCURITÉ

Pour votre sécurité et votre confort d'utilisation, la lecture complète de ce manuel est fortement recommandée.

Faire attention à ces symboles et à leur signification :

## ATTENTION :

**Mise en garde contre un risque de blessures corporelles graves ou même de mort, en cas de non observation des instructions.**

## PRÉCAUTION :

- *Mise en garde contre un éventuel risque de blessures corporelles ou d'endommagement du matériel, en cas de non-observation des instructions.*

**NOTE :** Source d'informations utiles.



Ce signe vous appelle à la prudence lors de certaines opérations. Se reporter aux consignes de sécurité des pages suivantes, au(x) point(s) indiqué(s) dans le carré.

## FORMATION

- A1.** Lire attentivement les instructions du présent manuel. Se familiariser avec l'utilisation correcte et les commandes avant d'utiliser la tondeuse. Savoir arrêter le moteur rapidement.
- A2.** Utiliser la tondeuse pour l'usage auquel elle est destinée, à savoir la tonte et le ramassage du gazon. Toute autre utilisation peut s'avérer dangereuse ou entraîner une détérioration de la machine.
- A3.** Ne jamais permettre d'utiliser la tondeuse à des enfants ou des personnes non familières avec les instructions. La réglementation locale peut fixer un âge limite pour l'utilisateur.
- A4.** Ne pas utiliser la tondeuse lorsque :
- Des personnes, particulièrement des enfants, ou des animaux se trouvent à proximité.
  - L'utilisateur a absorbé des médicaments ou substances, réputés comme pouvant nuire à sa capacité de réflexe et de vigilance.
- A5.** Garder à l'esprit que le propriétaire ou l'utilisateur est responsable des accidents ou des risques encourus par les tierces personnes ou par leurs biens.

## PRÉPARATION

- B1.** Toujours porter des chaussures résistantes et des pantalons longs pendant la tonte. Ne pas utiliser le matériel lorsque l'on est pieds nus ou en sandales.
- B2.** Inspecter minutieusement la zone à tondre et éliminer tout objet étranger qui pourrait être projeté par la machine (pierres, morceaux de bois, fil de fer, os, etc...).
- B3. ATTENTION : DANGER !** L'essence est hautement inflammable.
- Conserver le carburant dans des récipients spécialement prévus à cet effet.
  - Faire le plein à l'extérieur uniquement, avant de démarrer le moteur et ne pas fumer pendant cette opération ou toute manipulation de carburant.
  - Ne jamais enlever le bouchon du réservoir de carburant ou faire le plein lorsque le moteur est en fonctionnement ou tant qu'il est encore chaud.
  - Ne pas démarrer le moteur si de l'essence a été répandue : éloigner la tondeuse de la zone où le carburant a été renversé et ne provoquer aucune étincelle tant que le carburant ne s'est pas évaporé et que les vapeurs ne se sont pas dissipées.
  - Refermer correctement le réservoir et le récipient en serrant convenablement les bouchons.
  - Avant de pencher la tondeuse afin d'intervenir sur la lame ou de vidanger l'huile, vider le réservoir de carburant.
- B4.** Remplacer les silencieux d'échappement défectueux.
- B5.** Avant chaque utilisation, toujours procéder à une vérification générale et en particulier de l'aspect des lames, des boulons de fixation et de l'ensemble de coupe pour s'assurer qu'ils ne sont ni usés ni endommagés. Remplacer les pièces endommagées ou usées par lots complets pour préserver le bon équilibrage.

## UTILISATION

- C1.** Ne pas faire fonctionner le moteur dans un endroit confiné, où les vapeurs nocives de monoxyde de carbone peuvent s'accumuler.
- C2.** Tondre uniquement à la lumière du jour ou dans une lumière artificielle de bonne qualité.
- C3.** Dans la mesure du possible, éviter de tondre de l'herbe mouillée.

- C4.** Pendant le travail, conserver la distance de sécurité par rapport à la lame, donnée par la longueur du guidon.
- C5.** Marcher, ne jamais courir. Ne pas se laisser tirer par la tondeuse.
- C6.** Assurer ses pas dans les pentes. Tondre les pentes dans le sens transversal, jamais en montant ou en descendant.
- C7.** Être particulièrement prudent lors des changements de direction sur les terrains en pente.
- C8.** Ne pas tondre sur des pentes supérieures à 20°.
- C9.** Faire particulièrement attention lorsque la machine doit être tirée vers soi.
- C10.** Arrêter la lame si la tondeuse doit être inclinée pour le transport et lors des déplacements entre les surfaces à tondre.
- C11.** Ne jamais utiliser la tondeuse si ses protecteurs ou carters sont endommagés, ou en l'absence de dispositifs de sécurité comme le pare-pierres ou le sac de ramassage.
- C12.** Ne jamais modifier le réglage du régulateur du moteur, ni mettre le moteur en surrégime.
- C13.** Avant de démarrer le moteur, désengager la lame (modèles équipés d'un Rotostop) et l'embrayage d'avancement (modèles autopropulsés).
- C14.** Démarrer le moteur avec précaution, en respectant les consignes d'utilisation et en tenant les pieds éloignés de la lame.
- C15.** Ne pas incliner la tondeuse pour le démarrage. Effectuer la mise en marche sur une surface plane, exempte de tout obstacle et d'herbe haute.
- C16.** Tenir les mains et les pieds éloignés des pièces tournantes. Toujours se tenir à l'écart du tunnel d'éjection.
- C17.** Ne jamais soulever ou transporter une tondeuse dont le moteur est en fonctionnement.
- C18.** Arrêter le moteur et débrancher le fil de bougie dans les cas suivants :
- Avant toute intervention sous le carter de coupe ou dans le tunnel d'éjection.
  - Avant toute opération de nettoyage, de vérification ou de réparation de la tondeuse.
  - Après avoir heurté un objet étranger. Inspecter la tondeuse pour vérifier si elle est endommagée. Effectuer les réparations nécessaires avant toute nouvelle utilisation de la machine.
  - Si la tondeuse commence à vibrer de manière anormale. Rechercher immédiatement la cause des vibrations et y remédier.
- C19.** Arrêter le moteur dans les cas suivants :
- Toutes les fois où la tondeuse doit être laissée sans surveillance.
  - Avant de faire le plein de carburant.
- C20.** Arrêter la lame (modèles équipés d'un Rotostop) ou le moteur dans les cas suivants :
- Lors de la pose et la dépose du sac de ramassage.
  - Avant de régler la hauteur de coupe.
- C21.** Réduire les gaz avant d'arrêter le moteur. Fermer le robinet d'arrivée d'essence après chaque utilisation.
- C22.** L'utilisation d'accessoires autres que ceux recommandés dans ce manuel peut occasionner des dommages sur votre tondeuse qui ne seront pas couverts par votre garantie.

## MAINTENANCE ET STOCKAGE

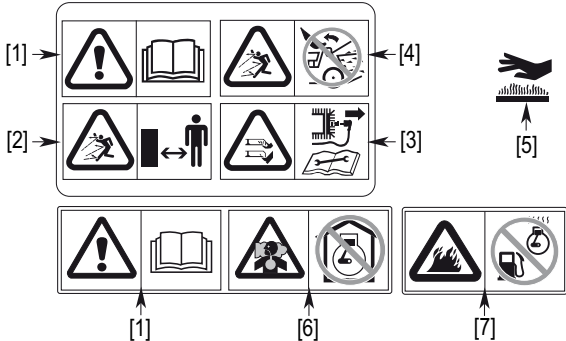
- D1.** Maintenir tous les écrous et vis serrés afin d'assurer des conditions d'utilisation sûres. Un entretien régulier est essentiel pour la sécurité et le maintien du niveau de performances.
- D2.** Ne jamais entreposer la tondeuse avec du carburant dans le réservoir dans un local où les vapeurs d'essence pourraient atteindre une flamme, une étincelle ou une forte source de chaleur.
- D3.** Laisser le moteur refroidir avant de ranger la machine dans un local quelconque.
- D4.** Pour réduire les risques d'incendie, débarrasser la tondeuse, en particulier le moteur, le pot d'échappement, et la zone de stockage de carburant, des feuilles, brins d'herbe et des excès de graisse. Ne pas laisser de conteneurs de débris végétaux dans ou à proximité d'un local.
- D5.** Si le réservoir de carburant doit être vidangé, effectuer cette opération à l'extérieur et lorsque le moteur est froid.
- D6.** Vérifier fréquemment que l'équipement de ramassage ne présente aucune trace d'usure ou de détérioration.
- D7.** Ne pas utiliser la machine avec des pièces endommagées ou usées. Les pièces doivent être remplacées et non pas réparées. Utiliser des pièces d'origine Honda. Les lames doivent toujours porter la marque Honda ainsi que la référence. Des pièces de qualité non équivalente peuvent endommager la machine et nuire à votre sécurité.
- D8.** Porter des gants épais pour le démontage et le remontage de la lame de coupe ou lors du nettoyage du carter de coupe. Pour le serrage et desserrage de la lame, utiliser une cale en bois pour bloquer sa rotation.
- D9.** Veiller au maintien de l'équilibrage de la lame lors de son affûtage.

# ÉTIQUETTES DE SÉCURITÉ

Votre tondeuse doit être utilisée avec prudence. Dans ce but, des étiquettes destinées à vous rappeler les principales précautions d'utilisation ont été placées sur la machine sous forme de pictogrammes. Leur signification est donnée ci-dessous.

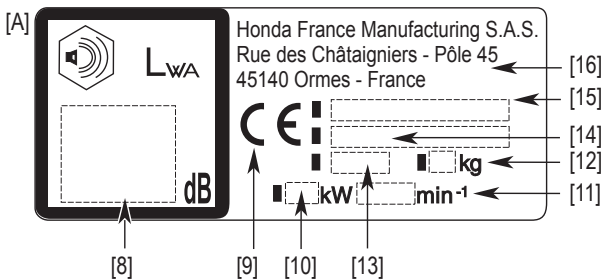
Ces étiquettes sont considérées comme partie intégrante de la tondeuse. Si l'une d'entre elles se détache ou devient difficile à lire, contactez votre concessionnaire pour la remplacer.

Nous vous recommandons également de lire attentivement les consignes de sécurité données (voir page 2).



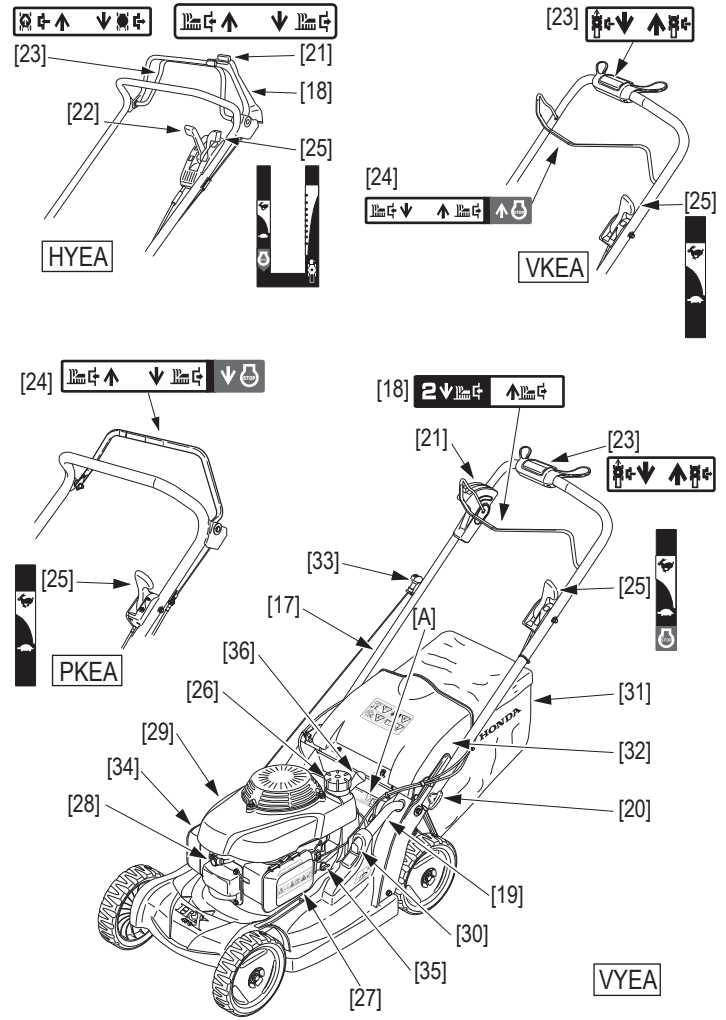
- [1] **ATTENTION** : Lire le manuel d'utilisateur avant l'utilisation de la tondeuse.
- [2] Risque de projection. Tenir les tiers personnes en dehors de la zone pendant l'utilisation.
- [3] Risque de coupure. Lame tournante : Ne pas introduire les mains et pieds dans l'enceinte de lame. Débrancher le capuchon de bougie avant toute opération d'entretien ou de réparation.
- [4] Ne pas utiliser la tondeuse sans le deflecteur ou le collecteur d'herbe.
- [5] Dès le démarrage, le pot d'échappement devient très chaud et le reste après l'arrêt du moteur.
- [6] Le moteur dégage du monoxyde de carbone qui est un gaz toxique. Ne jamais le faire fonctionner dans un endroit clos.
- [7] L'essence est très inflammable et explosive. Avant de faire le plein de carburant, arrêter le moteur et le laisser se refroidir.

# IDENTIFICATION DE LA MACHINE



- [8] Niveau de puissance acoustique
- [9] Marquage CE
- [10] Puissance nominale en kilowatt
- [11] Vitesse d'utilisation du moteur en tours par minute
- [12] Masse en kilogrammes
- [13] Année de fabrication
- [14] Numéro de série
- [15] Modèle - Type
- [16] Nom et adresse du constructeur

# DESCRIPTION GÉNÉRALE



## IDENTIFICATION DU MATÉRIEL

COMMANDES	FONCTIONS
[17] Guidon	
[18] Levier d'embrayage de lame (Rotostop) (*)	Embraye et arrête la lame
[19] Levier de réglage de hauteur de coupe	Sélectionne la hauteur de coupe souhaitée
[20] Bouton de pliage / réglage du guidon	Permet de régler la hauteur du guidon ou de plier le guidon
[21] Bouton de déverrouillage du levier d'embrayage de lame (*)	Active le levier d'embrayage de lame
[22] Levier variateur de vitesse (*)	Règle la vitesse maximum d'avancement
[23] Levier d'embrayage d'avancement (*)	Commande la transmission qui entraîne les roues arrière
[24] Levier de frein de lame (*)	Arrête la rotation de la lame et le moteur / Autorise le démarrage
[25] Manette d'accélérateur	Règle le régime moteur
[26] Réservoir d'essence	
[27] Filtre à air	
[28] Bougie d'allumage	
[29] Réservoir d'huile moteur	
[30] Bouton de déverrouillage du levier de hauteur de coupe	
[31] Sac de ramassage	Collecte l'herbe coupée
[32] Pare-pierres	Protège des projections
[33] Lanceur	Permet de démarrer le moteur
[34] Pot d'échappement	
[35] Robinet d'essence	Ferme / ouvre le circuit d'essence
[36] Commande de mulching variable	Contrôle le débit d'herbe éjectée

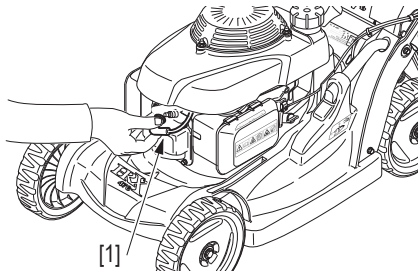
(\*) Pour les modèles équipés

# PRÉPARATION ET VÉRIFICATIONS AVANT UTILISATION



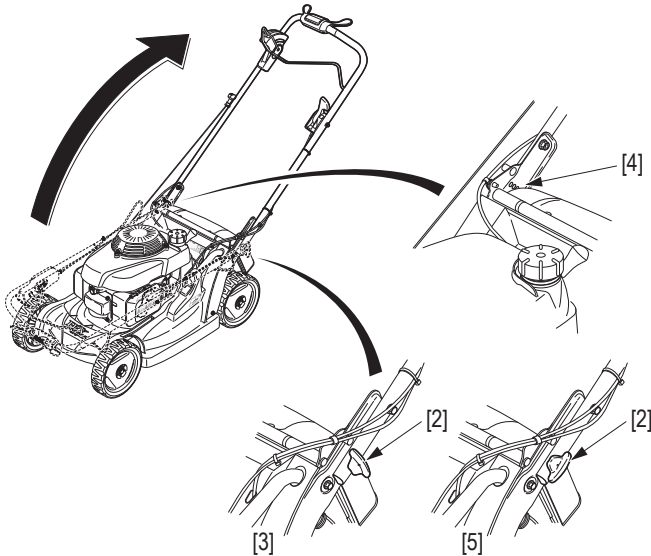
## ATTENTION :

Pour réaliser cette série de vérifications, placer la tondeuse sur un sol stable et de niveau, le moteur étant à l'arrêt et le capuchon de la bougie d'allumage retiré de la bougie [1].

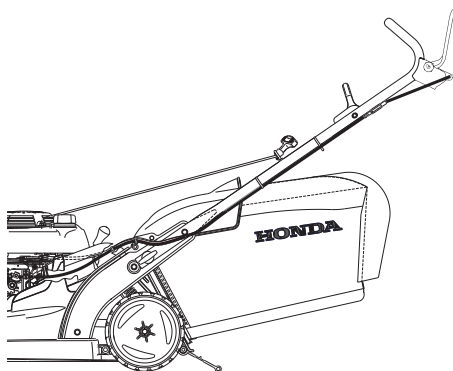


## MONTAGE DU GUIDON

1. Tourner les boutons de pliage/réglage du guidon [2] d'un quart de tour en position déverrouillage [3].
2. Déplier le guidon de manière à ce que les axes des boutons de pliage s'alignent avec les orifices supérieurs, intermédiaires ou inférieurs [4], selon la hauteur de guidon désirée.
3. Remettre les boutons en position verrouillée [5].



S'assurer que les colliers de serrage des câbles sur le guidon sont correctement placés.



Pour monter le sac à herbe, se reporter à la page 12.

## VÉRIFICATION DU SAC DE RAMASSAGE

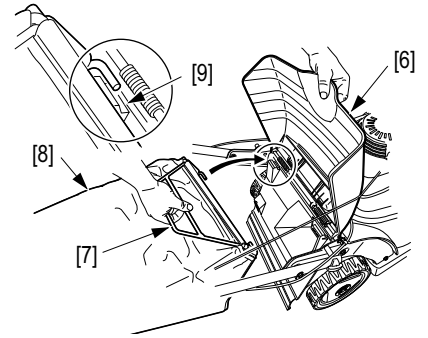


## ATTENTION :

S'assurer, avant utilisation, que le dispositif de fermeture du sac est bien en place (pare-pierres). Même dans des conditions normales d'utilisation, le sac de ramassage a tendance à s'user. Il convient donc de vérifier régulièrement s'il n'est pas effiloché ou déchiré. Un sac usé doit être remplacé. Ne remplacer un sac détérioré que par un sac Honda.

## Retrait du sac :

1. Arrêter le moteur.
2. Soulever le pare-pierres [6], saisir la poignée [7] et retirer le sac [8], tout en le maintenant à la verticale.



## Remise en place :

1. Soulever le pare-pierres et accrocher la partie avant du sac sur les ergots de fixation [9] de la tondeuse.

**NOTE :** La tondeuse fonctionne comme un aspirateur ; elle projette de l'air dans le sac qui aspire ainsi les brins d'herbe. Veillez à toujours vider le sac avant qu'il ne soit plein. Les performances du ramassage diminuent à partir de 90 % de remplissage du sac. De plus, le sac est plus facile à vider lorsqu'il n'est pas plein à ras bords.

## VÉRIFICATION DU NIVEAU D'ESSENCE

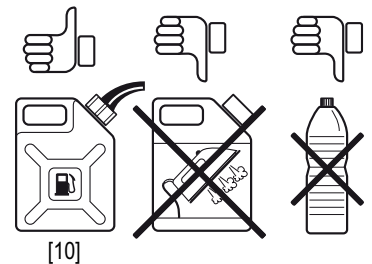
### ATTENTION :

Ne pas remplir à ras bord le réservoir d'essence (il ne doit pas y avoir d'essence dans le col de remplissage). Une fois le remplissage terminé, s'assurer que le bouchon du réservoir est vissé correctement et à fond.

Éviter tout contact répété ou prolongé d'essence avec la peau ainsi que toute inhalation de vapeurs d'essence. Ne pas laisser d'essence à la portée des enfants.

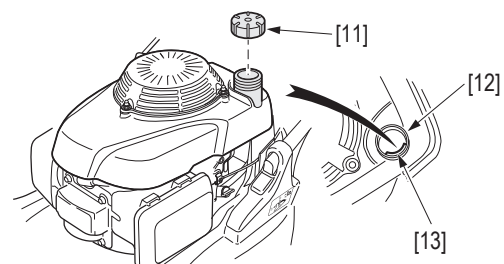
### PRÉCAUTION :

- Prendre soin d'utiliser des contenants ou bidons spécifiquement conçus pour les hydrocarbures [10].
- Ne jamais utiliser de mélange huile-essence.
- N'utiliser que de l'essence sans plomb 95 ou 98.
- Prendre garde à ne pas laisser pénétrer de saletés dans le réservoir.
- Ne pas utiliser de carburant souillé (eau, poussière...) ou trop vieux. L'essence sans plomb se dégrade avec le temps. Ne conservez pas de carburant plus d'un mois (voir page 14).



## Pour vérifier le niveau d'essence :

1. Dévisser le bouchon [11] et contrôler le niveau d'essence.
2. Remplir [12] le réservoir si le niveau est bas. Le niveau maximum est atteint lorsque l'essence se trouve en regard de la languette [13].
3. Revisser le bouchon [11] à fond après remplissage.



**NOTE :** Il n'est pas recommandé d'employer des produits de substitution à l'essence, qui peuvent nuire aux composants du circuit d'essence.

## ESSENCE CONTENANT DE L'ALCOOL

Si vous avez l'intention d'employer de l'essence contenant de l'alcool, assurez-vous que son indice d'octane est au moins aussi élevé que celui que recommande Honda (86). Il existe deux types de mélange essence/alcool : l'un contenant de l'alcool éthylique et l'autre de l'alcool méthylique.

Ne pas employer de mélange qui contienne plus de 10 % d'alcool éthylique, ni d'essence contenant de l'alcool méthylique (méthyle ou alcool de bois), qui ne renferme ni cosolvants, ni inhibiteurs de corrosion pour l'alcool méthylique.

Dans le cas d'un mélange contenant de l'alcool méthylique avec addition de cosolvants et d'inhibiteurs de corrosion, limiter la proportion à 5 % d'alcool méthylique.

**NOTE :** La garantie ne couvre pas les dégâts causés au circuit d'essence ou encore les problèmes de performances du moteur qui résultent de l'emploi d'essence contenant de l'alcool. Honda ne saurait approuver l'usage de carburants contenant de l'alcool méthylique dans la mesure où leur caractère approprié n'a pas encore été prouvé.

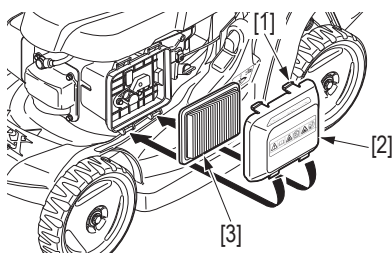
## VÉRIFICATION DU FILTRE À AIR

### PRÉCAUTION :

- Ne jamais faire tourner le moteur sans le filtre à air, car il pourrait s'ensuivre une usure prématurée du moteur.

Pour vérifier l'état du filtre à air :

1. Presser les ergots [1] situés sur le dessus du couvercle de filtre à air et déverrouiller le couvercle [2].
2. Contrôler la propreté de l'élément filtrant [3]. Si l'élément est sale, suivre la procédure de nettoyage (voir chapitre "Entretien" page 9).
3. Remonter le filtre [3] et le couvercle [2].



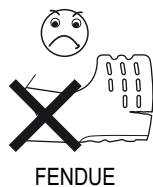
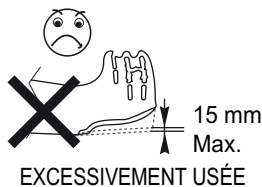
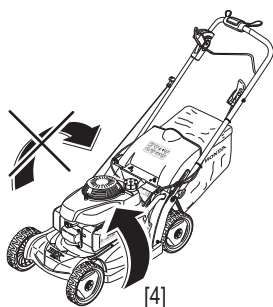
## VÉRIFICATION DE L'ÉTAT DE LA LAME

### PRÉCAUTION :

- Ne pas incliner la tondeuse avec le carburateur orienté vers le bas ; il en résulterait un redémarrage très difficile par la suite, dû à l'obstruction du filtre à air par de l'huile moteur.

Pour vérifier l'état de la lame :

1. Arrêter le moteur.
2. Retirer le capuchon de la bougie d'allumage.
3. Basculer la tondeuse sur le côté droit de façon à ce que le bouchon de carburant soit sur le dessus [4].
  - Vérifier si la lame présente des signes d'usure. A titre indicatif, il est nécessaire de remplacer la lame lorsque les évidements se rejoignent, ou lorsqu'une fissure apparaît.



- Vérifier le serrage des vis de lame (voir chapitre Entretien" page 9).
- Pour remplacer la lame ou effectuer une dépose-repose, se référer à la procédure décrite au chapitre "Entretien" page 9.

### ATTENTION :

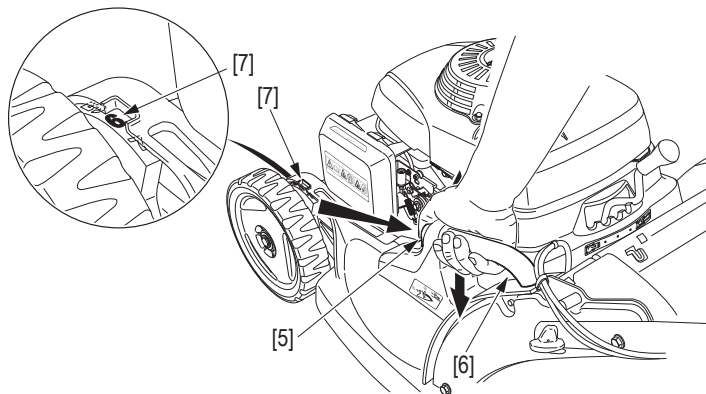
**Ne jamais faire fonctionner la tondeuse avec une lame usée ou endommagée, fendue ou entaillée. Un morceau de lame qui se casse et se trouve projeté peut être la cause de blessures graves.**

**NOTE :** L'usure de la lame est plus rapide, lorsque la tondeuse travaille sur des sols sablonneux. Examiner très souvent la lame, en cas d'utilisation de la tondeuse dans ces conditions.

## RÉGLAGE DE LA HAUTEUR DE COUPE

Pour changer la hauteur de coupe :

1. Arrêter le moteur.
2. Maintenir le bouton de déverrouillage [5] enfoncé et soulever ou baisser la tondeuse à l'aide de la poignée d'ajustement [6]. Un indicateur de hauteur [7] se situe au niveau de la roue avant gauche.

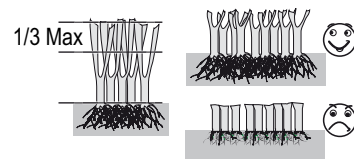


Les réglages de hauteur de coupe correspondent à des valeurs approximatives, la hauteur réelle de l'herbe coupée varie avec l'état de la pelouse et du sol. Pour choisir la hauteur de coupe, vérifier l'aspect de la pelouse après avoir tondu une petite surface et, le cas échéant, régler la hauteur de coupe.

### NOTE :

- Ne pas couper plus du 1/3 de la hauteur initiale de l'herbe en un passage, des taches brunes apparaîtraient. La coupe sera plus nette et cela limitera les bourrages.
- Si la pelouse est trop haute, tondre à la hauteur maximum permise par la tondeuse. Tondre à nouveau 2 ou 3 jours plus tard.
- La profondeur des racines est proportionnelle à la hauteur des brins d'herbe : plus la coupe est courte, moins les racines sont profondes.
- Choisir une hauteur de coupe adaptée à l'utilisation de la pelouse : loisirs, sport : 5 cm et plus, ornement : 1 à 3 cm.
- Seules certaines espèces de gazon supportent les coupes courtes. Une pelouse coupée trop courte est fragile et sensible à la sécheresse. Demandez conseil à un spécialiste.

Positions	Hauteur (mm)
1	25
2	34
3	43
4	52
5	61
6	70
7	79

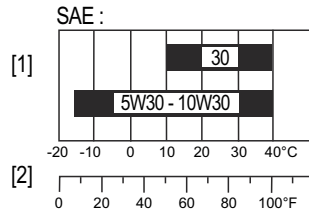


## VÉRIFICATION DU NIVEAU DE L'HUILE MOTEUR

### PRÉCAUTION :

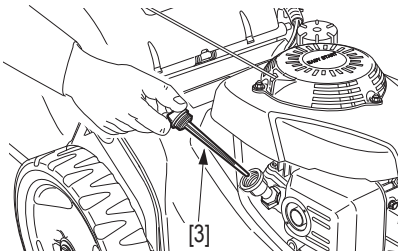
- L'huile moteur est un élément essentiel qui influe sur les performances du moteur ainsi que sur sa durée de vie.
- Faire tourner le moteur avec une quantité d'huile insuffisante peut gravement endommager ce dernier. Il est recommandé d'employer une huile Honda 4 temps ou encore une huile pour moteur de qualité équivalente et hautement détergente. Il convient de choisir la viscosité appropriée à la température moyenne de la zone d'utilisation.

Types d'huiles [1] adaptés en fonction de la température ambiante [2].

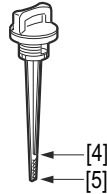


### Pour vérifier le niveau d'huile moteur :

1. Mettre la tondeuse sur un sol plan et horizontal.
2. Retirer le bouchon de remplissage d'huile et essuyer la jauge [3].
3. Remettre la jauge dans le goulot de remplissage, mais sans la visser.



4. Vérifier la marque du niveau d'huile laissée sur la jauge. Si cette dernière est proche du repère de niveau inférieur [4] rajouter l'huile préconisée jusqu'au repère de niveau supérieur [5].
5. Revisser le bouchon de remplissage.



## SÉLECTION DU MODE DE TONTE

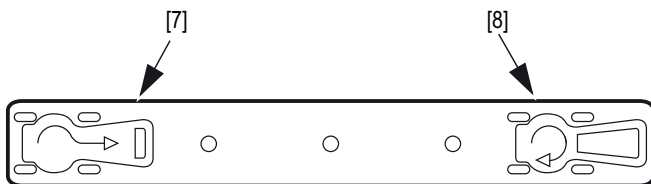
### RÉGLAGE DE LA COMMANDE DE MULCHING VARIABLE

Types HYEА, VYEА :

1. Relâcher le levier d'embrayage de lame.

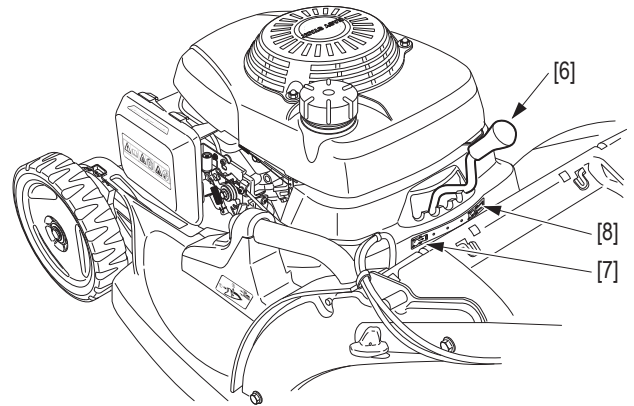
Types PKEА, VKEА :

1. Relâcher le levier de frein de lame.
2. Régler le bouton de commande de mulching variable dans l'une des 5 positions afin d'obtenir le niveau de broyage et d'éjection de l'herbe souhaité.



- **Position ramassage [7]** : la totalité de l'herbe coupée est éjectée à l'arrière de la tondeuse, les brins d'herbe ne sont pas broyés.
- **Position broyage [8]** : l'herbe n'est plus collectée dans le sac à herbe mais finement broyée et déposée sur la pelouse. Les brins d'herbe ainsi hachés vont se décomposer sur le sol et former un humus naturel pouvant produire le quart des besoins annuels en engrais de votre pelouse.

3. Afin de choisir la position la plus adaptée à vos besoins, faire un essai. Installer le sac à herbe et commencer à tondre en position ramassage [7]. Vérifier l'effet sur la pelouse. Déplacer le bouton [6] d'un cran vers la droite. Au fur et à mesure que le bouton est déplacé vers la position Broyage [8], une quantité supérieure de gazon est hachée et redéposée sur la pelouse. Déplacer le bouton de commande [6] jusqu'à l'obtention des résultats souhaités.



### NOTE :

- Le mulching est une technique de fertilisation naturelle. L'herbe n'est plus collectée dans le sac à herbe mais finement broyée et déposée sur la pelouse.
- Outre son rôle fertilisant, le mulching protège le sol, limite l'évaporation d'eau pendant les périodes chaudes et vous dispense de ramasser l'herbe.

### ÉJECTION ARRIÈRE

Si l'on ne désire pas ramasser l'herbe coupée il est possible d'utiliser la tondeuse sans sac à herbe. Dans ce cas, l'herbe éjectée est guidée vers le sol par le pare pierres. La quantité éjectée varie en fonction de la position du bouton de commande de mulching variable :

- débit maximal en position [7],
- débit nul en position [8].



# MISE EN MARCHÉ ET ARRÊT DU MOTEUR



## MISE EN MARCHÉ DU MOTEUR

### PRÉCAUTION :

- Ne pas démarrer le moteur avec les leviers d'embrayage de lame ou d'avancement engagés.



[A]

### RAPIDE

Redémarrage d'un moteur chaud et tonte.



[B]

### LENT

Mise au ralenti du moteur.



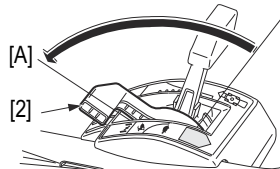
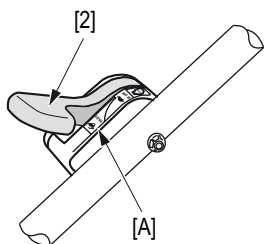
[C]

### ARRÊT

Arrêt du moteur (Modèle équipé d'un Rotostop).

### Tous modèles :

1. Ouvrir le robinet d'essence [1].
2. Mettre le levier de commande des gaz [2] sur la position "RAPIDE" [A].

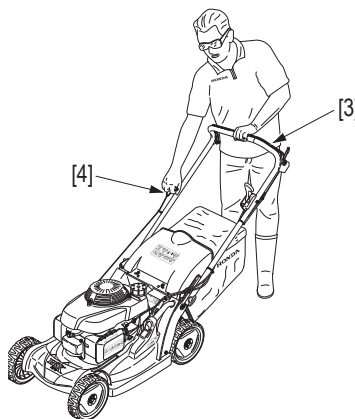


### Types PKEA, VKEA :

3. Maintenir le levier de frein de lame [3] serré contre le guidon pour le démarrage du moteur.

### Tous modèles :

4. Tirer doucement le lanceur [4] jusqu'à sentir une résistance ; puis, tirer vivement.



### NOTE :

- Ne pas laisser le lanceur revenir brutalement ; le ramener à la main.
- Pour régler la vitesse du moteur au cours du fonctionnement de la tondeuse, le levier de commande des gaz peut être positionné n'importe où entre les positions "RAPIDE" [A] et "LENT" [B]. On obtient cependant de meilleurs résultats sur la position "RAPIDE" [A].

### Types HYEА, VYEА :

Le moteur peut caler si le levier est sur la position "LENT" [B], lorsque l'embrayage de lame est enclenché.

Pour faciliter le démarrage, placer la tondeuse sur une surface plane, sans herbe haute.

## ARRÊT DU MOTEUR

### Types HYEА, VYEА :

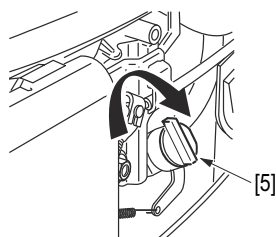
1. Placer le levier de commande des gaz sur position "ARRÊT" [C].

### Types PKEA, VKEA :

1. Placer le levier de commande des gaz sur la position "LENT" [B].
2. Relâcher le levier de frein de lame.

### Tous modèles :

3. Tourner le robinet d'essence sur la position "ARRÊT" [5].



## MOTEUR NOYÉ

Si le moteur refuse toujours de démarrer après plusieurs tractions exercées sur le lanceur, il se peut alors qu'il soit noyé.

### Pour désengorger un moteur noyé :

1. Placer le levier de commande des gaz sur la position "ARRÊT" [C] (types HYEА, VYEА).
2. Retirer et sécher la bougie d'allumage. Lorsque l'on remet la bougie en place, la visser à la main jusqu'à ce qu'elle soit en appui. Puis, avec la clé à bougie, la serrer d'1/8 à 1/4 de tour supplémentaire pour bien comprimer la rondelle.
3. Mettre ensuite le levier de commande des gaz sur la position "RAPIDE" [A] et répéter les opérations précédentes mentionnées à la rubrique "Mise en marche du moteur".

## CONSEILS D'UTILISATION

### FONCTIONNEMENT EN HAUTE ALTITUDE

En haute altitude, le mélange standard essence/air du carburateur sera beaucoup trop riche : les performances diminueront et la consommation d'essence augmentera.

On peut améliorer les performances en haute altitude, en installant dans le carburateur un gicleur d'un plus petit diamètre et en réglant la vis de richesse. Si vous faites fonctionner votre tondeuse à une altitude supérieure à 1 500 mètres au-dessus du niveau de la mer, il est recommandé de faire exécuter ces modifications sur le carburateur par votre concessionnaire Honda agréé. Même avec les modifications appropriées apportées au carburateur, la puissance du moteur diminuera environ de 3,5 % pour chaque tranche d'augmentation d'altitude de 300 mètres. Cependant, l'incidence de l'altitude sur la puissance se fera beaucoup plus sentir, si ces modifications n'ont pas été apportées.

### PRÉCAUTION :

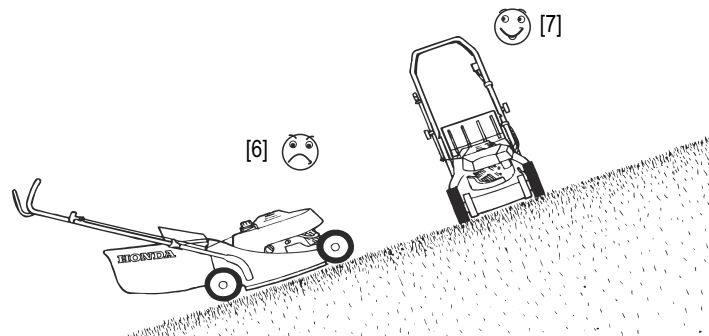
- Faire fonctionner la tondeuse à une altitude inférieure à celle pour laquelle le carburateur a été réglé peut provoquer une surchauffe et causer de sérieux dommages au moteur, dus à un mélange air/essence beaucoup trop pauvre.

### ATTENTION :

Il convient d'être particulièrement prudent, lorsqu'on tond un sol au relief accidenté et irrégulier. La tondeuse peut alors se renverser, mettant ainsi la lame à découvert ; en outre, la lame risque de projeter des objets demeurés jusqu'alors cachés. Bien maintenir les quatre roues au sol. Contrôler la direction de la tondeuse par le guidon et non pas par une pression du pied sur le carter de la lame.

### PRÉCAUTION :

- Lorsqu'on doit contourner un obstacle, prendre garde à ne pas le heurter avec la lame. Ne jamais passer la tondeuse délibérément sur un objet.
- Lorsqu'on tond une surface au relief accidenté, ne pas se laisser tirer par la tondeuse, maintenir fermement le guidon de la tondeuse et surveiller sa progression.



[6] MAUVAIS

[7] BON

**NOTE :** Si la vitesse de la tondeuse est trop réduite lorsque l'on tond sur une pente, déplacer légèrement le levier de changement de vitesse vers la position "RAPIDE".

## PROCÉDURE DE TONTE



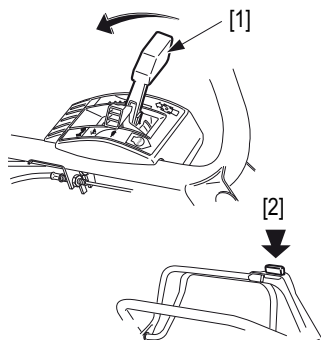
Lire les consignes de sécurité avant de commencer à tondre.

Type HYEА :

### ATTENTION :

**Toujours relâcher le levier d'embrayage de lame et le levier d'embrayage d'avancement avant de démarrer le moteur. Lorsque l'entraînement de la lame est engagé, le démarrage est moins facile.**

1. Sélectionner la vitesse d'avancement voulue à l'aide du levier de changement de vitesse [1].



2. Embrayer la lame :  
- Appuyer sur le bouton jaune [2] situé sur le dessus du levier de commande de lame [3], puis le pousser simultanément et le maintenir contre le guidon.

3. Embrayer l'avancement de la tondeuse lorsque le moteur a repris son régime :

- Le levier d'embrayage d'avancement [4] agit comme un variateur de vitesse en fonction de sa position. Il peut faire varier la vitesse entre zéro et la vitesse maximale présélectionnée au levier de changement de vitesse. La vitesse maximale est atteinte lorsque le levier de changement de vitesse [3] est poussé vers l'avant au maximum et le levier d'embrayage [4] est maintenu contre le guidon. Plus la hauteur d'herbe à couper est importante, plus il faut réduire la vitesse d'avancement de la machine. Cela évite de surcharger le moteur et améliore la qualité de coupe.

4. Pour arrêter l'avancement de la tondeuse :

- Relâcher le levier d'embrayage d'avancement [4].

5. Pour stopper la rotation de la lame :

- Relâcher le levier d'embrayage de lame [3].

**NOTE :** Il est possible de ne pas utiliser l'avancement lors de la tonte dans des endroits de surface restreinte.

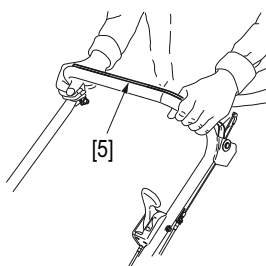
De même, l'embrayage d'avancement peut être utilisé pour le déplacement de la tondeuse, sans engager l'embrayage de lame (allées, massifs, etc.).

### PRÉCAUTION :

- Exercer un mouvement rapide et complet sur le levier d'embrayage de lame pour que l'entraînement de la lame soit toujours totalement engagé ou arrêté. Ceci a pour but d'éviter de caler le moteur et permet de prolonger la durée de service du mécanisme de commande de lame.

Type PKEA :

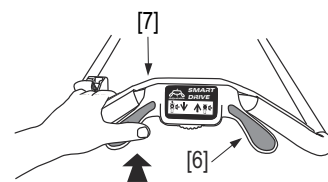
**NOTE :** Le relâchement du levier de frein de lame [5] stoppe la rotation de la lame et arrête le moteur.



Type VKEA :

1. Embrayer l'avancement de la tondeuse [7] lorsque le moteur a repris son régime :

- Pousser lentement la commande Smart Drive [6] pour faire avancer la tondeuse.



- La vitesse d'avancement augmente avec la pression exercée sur la commande Smart Drive.

- Exercez uniquement la pression nécessaire pour obtenir la vitesse souhaitée. A une position donnée, la vitesse d'avancement varie en fonction de facteurs, tels que terrain, hauteur de la pelouse, pente et poids du sac de ramassage. La commande Smart Drive est destinée à vous permettre de maintenir la vitesse d'avancement souhaitée dans des conditions de tonte en évolution constante.

2. Pour arrêter l'avancement de la tondeuse :

- Relâcher le levier de commande Smart Drive [6].

3. Pour stopper la rotation de la lame :

- Relâcher le levier de frein de lame [7].

**NOTE :** Le relâchement du levier de frein de lame stoppe la rotation de la lame et arrête le moteur.

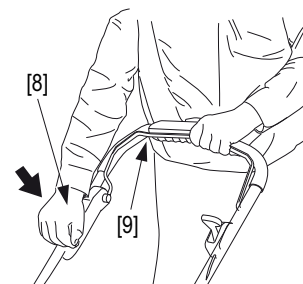
Type VYEA :

### ATTENTION :

**Toujours relâcher le levier d'embrayage de lame et le levier d'embrayage d'avancement avant de démarrer le moteur. Lorsque l'entraînement de la lame est engagé, le démarrage est moins facile.**

1. Embrayer la lame :

- Appuyer sur le bouton de déverrouillage [8] et le maintenir enfoncé.  
- Tirer le levier d'embrayage de lame à vous [9].  
- Relâcher le bouton de déverrouillage [8] lorsque les lames sont engagées.

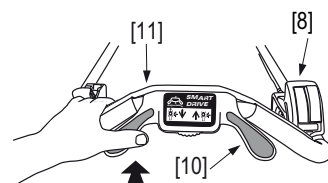


2. Embrayer l'avancement de la tondeuse lorsque le moteur a repris son régime :

- Pousser lentement la commande Smart Drive [10] pour faire avancer la tondeuse.

- La vitesse d'avancement augmente avec la pression exercée sur la commande Smart Drive.

- Exercez uniquement la pression nécessaire pour obtenir la vitesse souhaitée. A une position donnée, la vitesse d'avancement varie en fonction de facteurs, tels que terrain, hauteur de la pelouse, pente et poids du sac de ramassage. La commande Smart Drive est destinée à vous permettre de maintenir la vitesse d'avancement souhaitée dans des conditions de tonte en évolution constante.



3. Pour arrêter l'avancement de la tondeuse :

- Relâcher le levier de commande Smart Drive [10].

4. Pour stopper la rotation de la lame :

- Relâcher le levier d'embrayage de lame [11].

**NOTE :** Il est possible de ne pas utiliser l'avancement lors de la tonte dans des endroits de surface restreinte.

De même, l'embrayage d'avancement peut être utilisé pour le déplacement de la tondeuse, sans engager l'embrayage de lame (allées, massifs, etc.).

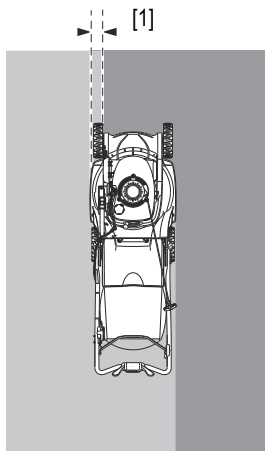


### PRÉCAUTION :

- Exercer un mouvement rapide et complet sur le levier d'embrayage de lame pour que l'entraînement de la lame soit toujours totalement engagé ou arrêté. Ceci a pour but d'éviter de caler le moteur et permet de prolonger la durée de service du mécanisme de commande de lame.

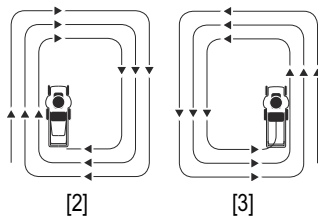
### NOTE :

- Fréquence de tonte : 1 fois par semaine pour une pelouse de loisirs, 2 fois pour une pelouse d'ornement.
- Tondre de préférence l'après-midi ou le soir avant l'arrosage car l'herbe doit être sèche. En cas de poussière trop importante, tondre lorsque l'herbe est sèche, mais le sol encore humide.
- Choisir une hauteur de coupe adaptée au terrain (voir page 5).
- Pour une coupe régulière, il faut chevaucher de quelques centimètres [1] sur la partie déjà coupée et augmenter cette zone de recouvrement lorsque la hauteur à couper est importante.
- Pour obtenir une efficacité maximum, il faut respecter le chemin proposé.
- Si votre terrain n'a pas une forme régulière ou présente de nombreux obstacles, divisez-le en parcelles à l'intérieur desquelles vous pourrez tondre dans le sens recommandé :



[2] Avec ramassage : tourner dans le sens des aiguilles d'une montre pour une meilleure efficacité.

[3] Avec kit mulching (en option, page 15) : tourner dans le sens anti-horaire.



### VIDAGE DU SAC DE RAMASSAGE

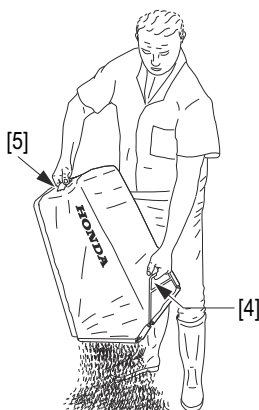
Lorsque le sac à herbe devient trop plein, le ramassage n'est plus efficace (le bruit de la tondeuse change et le sac n'est plus gonflé par le souffle de la lame).

#### Types HYEА, VYEA :

1. Relâcher le levier d'embrayage de lame.

#### Types PKEA, VKEA :

1. Relâcher le levier de frein de lame.
2. Retirer le sac (voir page 4).
3. Vider le sac :
  - Maintenir le sac par l'intermédiaire de la poignée métallique [4].
  - Saisir la poignée [5] et secouer le sac pour évacuer l'herbe.



### PRÉCAUTION :

- Afin de réduire tout risque d'incendie, ne jamais laisser d'herbe coupée ou des feuilles dans le sac de ramassage, à proximité ou dans un bâtiment. La décomposition des substances végétales provoque une importante élévation de température.

### ATTENTION :

S'assurer, avant utilisation, que le dispositif de fermeture du sac est bien en place (pare-pierres).

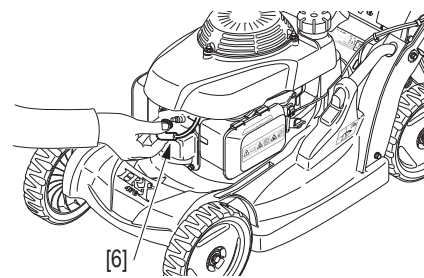
## ENTRETIEN

Un entretien régulier est le garant d'une longue durée de vie de la tondeuse.



### ATTENTION :

Pour éviter tout démarrage accidentel, débrancher le capuchon de la bougie d'allumage [6] avant d'exécuter tout travail d'entretien.



### PRÉCAUTION :

- Le moteur et le pot d'échappement atteignent des températures suffisantes pour provoquer des brûlures et déclencher un incendie si des matières inflammables se trouvent à proximité.
- Laisser le moteur refroidir pendant 15 minutes avant tout entretien.

**NOTE :** Pour assurer une plus longue durée de vie ainsi qu'un meilleur rendement, il est indispensable de tenir le dessous de la tondeuse propre et sans débris d'herbe en le nettoyant à l'aide d'une brosse et d'un grattoir. Il est indispensable de procéder avant le remisage saisonnier, à un nettoyage approfondi.

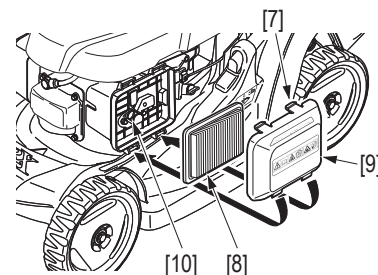
### ENTRETIEN DU FILTRE À AIR

Un filtre à air encrassé diminuera le débit de l'air au carburateur. Pour prévenir tout mauvais fonctionnement du carburateur, il est primordial d'entretenir régulièrement le filtre à air.

### ATTENTION :

Ne jamais se servir d'essence ou de solvants inflammables pour nettoyer les éléments du filtre à air ; cela pourrait en effet provoquer un incendie ou une explosion.

1. Presser les ergots [7] situés sur le dessus du couvercle de filtre à air et déverrouiller le couvercle [9].
2. Vérifier l'état du filtre à air [8] et le remplacer s'il est endommagé.
3. Tapoter à plusieurs reprises le filtre sur une surface dure pour ôter la saleté ou souffler à l'aide d'un compresseur (sans excéder une pression de 2,1 kgf/cm<sup>2</sup>, 30 psi) à travers le filtre de l'intérieur vers l'extérieur.



**NOTE :** L'élément filtrant [8] doit être sec pour fonctionner. Ne pas l'imbiber d'huile.

4. Essuyer la saleté dans le couvercle du filtre à air [9], ainsi que dans son boîtier à l'aide d'un chiffon humide.

**NOTE :** Veiller à ce que la saleté n'entre pas dans le conduit d'air [10] qui mène au carburateur.

5. Remonter le filtre [8] et le couvercle de filtre à air [9].

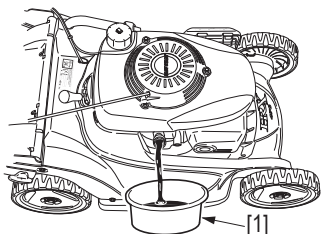
## VIDANGE DE L'HUILE MOTEUR

Vidanger l'huile pendant que le moteur est encore chaud, pour assurer une vidange rapide et complète.

### PRÉCAUTION :

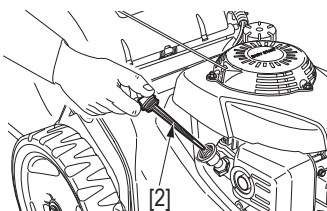
- *L'huile moteur usagée peut provoquer un cancer de la peau, si elle reste souvent et longtemps en contact avec la peau. Bien que cette éventualité soit peu probable, à moins que vous ne manipulez tous les jours de l'huile usagée, il est cependant recommandé de bien se laver les mains à l'eau et au savon aussitôt après avoir manipulé de l'huile moteur usagée.*

1. Basculer la tondeuse sur le côté.



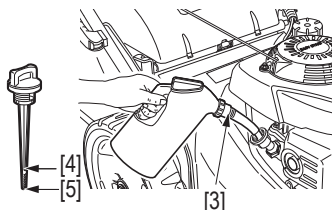
2. Placer un récipient [1] sous l'orifice du tube de remplissage du carter et basculer la tondeuse sur le côté droit.

3. Retirer le bouchon de remplissage de l'huile [2].



4. Replacer la tondeuse sur ses roues lorsqu'il ne reste plus d'huile dans le carter.

5. Effectuer le plein d'huile [3] jusqu'au repère "niveau supérieur" [4] en utilisant l'huile recommandée (voir page 6).



6. Revisser le bouchon à fond pour éviter tout risque de fuite.

**NOTE :** Il faut éliminer l'huile moteur usagée en respectant l'environnement. Nous vous conseillons de l'apporter dans un récipient étanche à une station-service qui se chargera de son recyclage. Il ne faut surtout pas la jeter dans une poubelle ou encore la verser sur le sol, dans des canalisations ou dans les égouts.

## ENTRETIEN DE LA BOUGIE D'ALLUMAGE

Bougies recommandées : NGK - BPR5ES

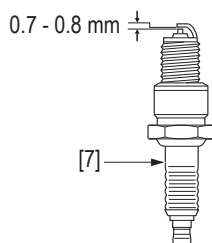
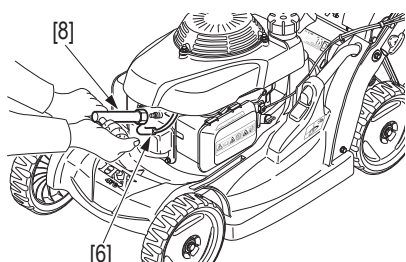
### PRÉCAUTION :

- *N'utiliser que les bougies recommandées. L'emploi de bougies ayant un indice thermique inapproprié peut causer des dommages au moteur.*

### ATTENTION :

**Si le moteur vient de tourner, ne pas toucher le pot d'échappement et la bougie qui seraient encore très chauds.**

1. Débrancher le capuchon [6] et retirer la bougie [7] à l'aide d'une clé à bougie [8].



2. Examiner attentivement la bougie. Remplacer la bougie, si les dépôts sont importants ou bien si l'isolant est fissuré ou cassé.
3. Mesurer l'écartement des électrodes avec un jeu de cales d'épaisseur ; il doit être compris entre 0,7 et 0,8 mm. Si un réglage est nécessaire, il suffit de tordre soigneusement l'électrode latérale.
4. Vérifier si la rondelle d'étanchéité est en bon état ; puis revisser la bougie à la main jusqu'à l'assise sur son siège.
5. A l'aide d'une clé, donner 1/2 tour supplémentaire à une bougie neuve, afin de comprimer la rondelle. Si vous remontez la même bougie, il suffira de donner 1/8 à 1/4 de tour après la mise en place de la bougie sur son siège.
6. Replacer le capuchon de la bougie.

### PRÉCAUTION :

- *La bougie d'allumage doit être correctement serrée. Une bougie mal vissée peut devenir très chaude et endommager le moteur.*

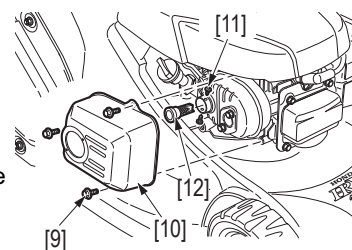
## ENTRETIEN DU PARE-ÉTINCELLES (Pièce en option)

(En Europe et dans les pays soumis à la directive machine 2006/42/EC, ce nettoyage doit être fait par votre concessionnaire.)

### ATTENTION :

**Si la tondeuse vient de fonctionner, le pot d'échappement sera encore très chaud. Le laisser refroidir avant de procéder à cette opération. Dans certaines régions, il est interdit de faire fonctionner un moteur sans un pare-étincelles.**

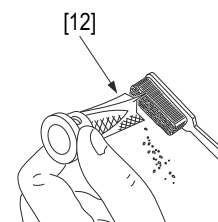
1. Retirer les trois vis épaulées [9] du protecteur de pot d'échappement [10] et retirer le protecteur de pot d'échappement.
2. Retirer les deux vis auto-taraudeuses [11] du pare-étincelles [12] et retirer le pare-étincelles du pot d'échappement.



3. Vérifier les dépôts de carbone autour de la sortie des gaz d'échappement et du pare-étincelles. Nettoyer si nécessaire.

4. Remplacer le pare-étincelles en cas de cassures ou de déchirures.

5. Réinstaller le pare-étincelles [12], puis le protecteur de pot d'échappement [10] dans le sens inverse de l'ordre de démontage.



## RÉGLAGE DU CARBURATEUR



### PRÉCAUTION :

- Il est recommandé de confier ce réglage à un concessionnaire Honda.

**Vitesse de ralenti normale : 1 700 ± 150 tr/min.**

**Vitesse régulée d'utilisation : 2 800 <sup>+ 0</sup> <sub>-100</sub> tr/min.**

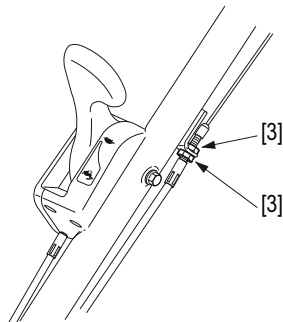
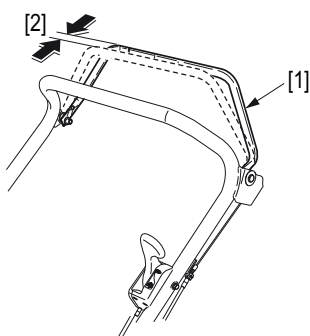
## RÉGLAGE DU CÂBLE DE FREIN DE LAME

### Type PKEA :

1. Arrêter le moteur et défaire le capuchon de bougie.
2. Relâcher le levier de frein de lame [1] et vérifier qu'il y a une forte résistance lorsqu'on tire sur le démarreur.

### Dans le cas contraire :

3. Mesurer la garde [2] à l'extrémité du levier [1] (30 à 35 mm maximum).
4. S'il est nécessaire de procéder à un réglage, desserrer les contre-écrous [3] et détendre le câble ou le retendre selon les nécessités. Resserrer les contre-écrous et revérifier la garde.
5. Mettre le moteur en marche et relâcher le levier de frein de lame. S'assurer que la lame et le moteur s'arrêtent lorsque l'on relâche le levier. Dans le cas contraire, faire vérifier la tondeuse à un concessionnaire agréé Honda.

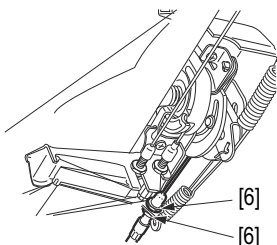
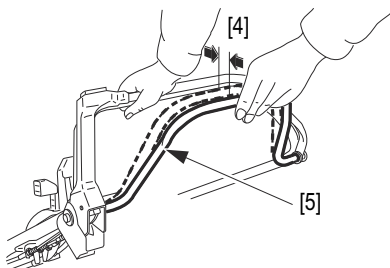


## RÉGLAGE DU CÂBLE D'EMBRAYAGE D'AVANCEMENT

### Type HYEА :

Mesurer le jeu [4] sur le côté du levier [5] comme illustré.

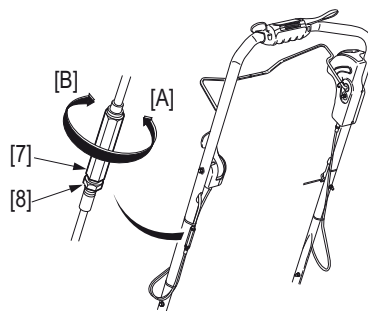
1. Mettre le levier de changement de vitesse sur la position la plus rapide et desserrer les contre-écrous [6].
2. Détendre ou retendre le câble selon nécessité de façon à obtenir un jeu de 1 à 5 mm.
3. Resserrer les écrous de blocage [6] et vérifier le jeu [4].
4. Démarrer le moteur à l'extérieur et faire fonctionner la manette d'embrayage. Vérifier que l'embrayage s'engage et se relâche correctement.



### Type VYEA :

Effectuer cette procédure avec les roues en appui sur une surface de niveau.

1. Desserrer le contre-écrou [8] du câble de l'embrayage Smart Drive.
2. Mettez le moteur en marche.
3. Sans engager la poignée de Smart Drive, tournez le régleur du câble de l'embrayage [7] dans la direction "DÉPLACEMENT" [A] jusqu'à ce que la tondeuse avance.
4. Tournez le régleur du câble de l'embrayage de 1 à 2 tours dans la direction "ARRÊT" [B].
5. Resserrer l'écrou de verrouillage du câble de l'embrayage.
6. Vérifier le fonctionnement du système Smart Drive.



### Tous modèles :

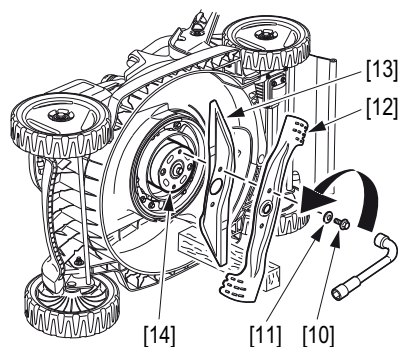
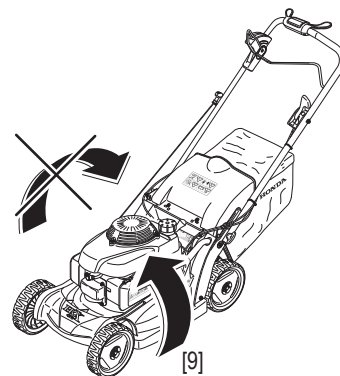
**NOTE :** Si l'embrayage ne s'engage pas correctement alors que le réglage du câble est correct, il est possible qu'une réparation soit nécessaire. Faire vérifier la tondeuse à un concessionnaire agréé Honda.

## MONTAGE ET DÉMONTAGE DE LA LAME



### DÉMONTAGE DE LA LAME

1. Mettre la manette de commande des gaz sur "ARRÊT" (modèles équipés d'un Rotostop).
2. Tourner la soupape de combustion sur "OFF" et débrancher le capuchon de bougie.
3. Pencher la tondeuse de façon à ce que le carburateur soit orienté vers le haut [9].
4. Utilisez une clé à pipe de 14 mm et retirez les deux vis [10] et les rondelles spéciales [11] de l'ensemble de commande des lames [14]. Utilisez un morceau de bois pour bloquer la lame et empêcher sa rotation lors du retrait des vis.
5. Retirez la lame supérieure de broyage [13] et la lame inférieure de broyage [12].



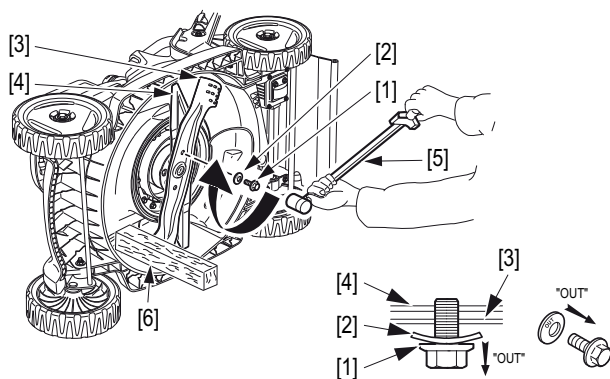
## MONTAGE DE LA LAME

1. Nettoyez les impuretés et l'herbe se trouvant autour de la zone de montage de lame.
2. Installez les lames [3] [4] en utilisant les deux vis [1] et les rondelles spéciales [2] comme indiqué. Monter les rondelles spéciales avec le côté convexe marqué "OUT" tourné vers les têtes de vis.

Les deux boulons sont spécialement conçus pour ces lames et ne doivent pas être remplacés par d'autres boulons.

3. Resserrez les boulons avec une clé dynamométrique [5]. Utilisez un morceau de bois [6] pour empêcher la rotation de les lames durant cette opération.

**Couple de serrage de lame : 49 à 59 Nm**



### PRÉCAUTION :

- Si vous ne disposez pas de clé dynamométrique, faites resserrer les vis de lame par un concessionnaire agréé Honda avant d'utiliser la tondeuse.
- Si les vis de lame sont trop ou trop peu serrées, elles peuvent se briser ou se dévisser.

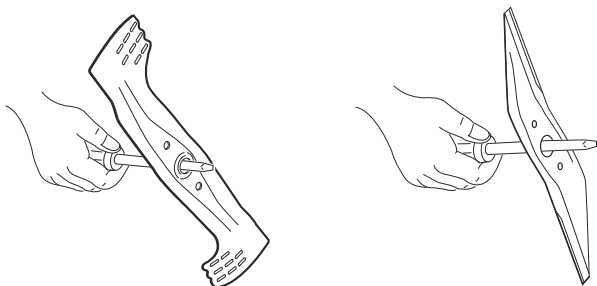
### ATTENTION :

L'utilisation de cette tondeuse avec une seule lame va entraîner un défaut d'appui. La lame peut alors être éjectée de la tondeuse, avec le risque de blesser gravement ou de tuer quelqu'un.

Utilisez toujours les deux lames ensemble.

**NOTE :** Ne jamais incliner la tondeuse de façon à ce que le carburateur soit orienté vers le bas ; il en résulterait un redémarrage difficile.

## REPLACEMENT DE LA LAME



### PRÉCAUTION :

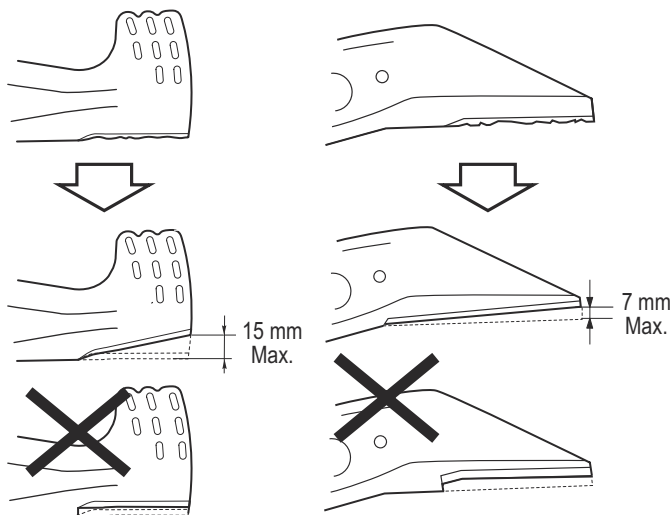
- L'équilibre de la lame est essentiel pour obtenir de bonnes performances de coupe. Il faut donc changer toute lame qui serait endommagée ou dont l'équilibre ne peut être rétabli.
- N'utiliser qu'une lame de rechange d'origine Honda.

## AFFÛTAGE DE LA LAME

1. Affûter les bords tranchants de la lame avec une meule à affûter. N'affûter que le bord supérieur. Conserver le biseau d'origine afin d'avoir une arête coupante très acérée. Il est recommandé d'aiguiser les deux extrémités de manière égale, afin de maintenir l'équilibre de la lame.
2. Après l'affûtage, vérifier l'équilibre de la lame en utilisant un tournevis comme illustré. Si l'un ou l'autre des bords penche légèrement sous l'horizontale, il faut à nouveau aiguiser ce côté.

### PRÉCAUTION :

- Afin d'éviter l'affaiblissement des lames, de provoquer leur déséquilibre ou d'obtenir une coupe de mauvaise qualité, il est préférable de confier l'aiguisage de la lame au personnel compétent d'un concessionnaire agréé Honda.

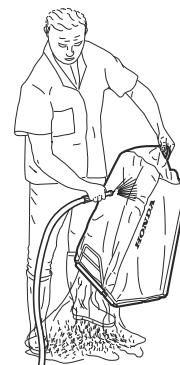


## NETTOYAGE ET CHANGEMENT DU SAC DE RAMASSAGE

### NETTOYAGE DU SAC

#### PRÉCAUTION :

- Un lavage au jet de vapeur ou à haute pression endommagera le sac.
- Des mailles obstruées empêchent l'herbe de pénétrer dans le sac.
- Pour nettoyer le sac, il est recommandé de le laver au jet d'eau dirigé de l'extérieur vers l'intérieur. Il doit être bien sec avant de l'utiliser à nouveau. Si le sac est mouillé, il se colmatra très rapidement.



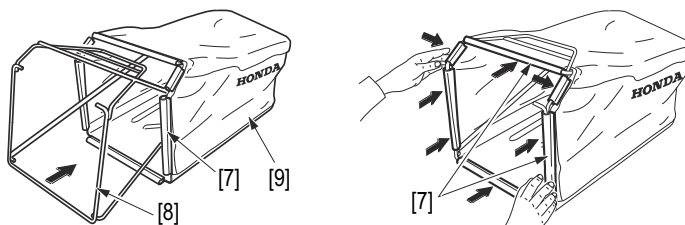
### ATTENTION :

Des objets frappés par la lame peuvent être projetés à travers un sac à herbe déchiré ou abîmé. Des objets projetés peuvent provoquer de graves blessures. Remplacez un sac à herbe déchiré ou abîmé.

## CHANGEMENT DU SAC

Même dans des conditions normales d'utilisation, le sac de ramassage a tendance à s'user. Il convient donc de vérifier régulièrement s'il n'est pas effiloché ou déchiré. Ne remplacer un sac détérioré que par un sac de rechange Honda.

1. Détacher les bords en plastique [7] du sac [9] usé et le retirer du cadre [8] du sac.
2. Insérer le cadre dans le nouveau sac et fixer les bords en plastique [7] sur le cadre.



## CALENDRIER D'ENTRETIEN

Entretien à effectuer aux intervalles indiqués en mois ou en heures de fonctionnement, en retenant l'intervalle le plus court.		Périodicité				
		A chaque utilisation	Après 1 mois ou après 5 h	Tous les 3 mois ou toutes les 25 h	Tous les 6 mois ou toutes les 50 h	Tous les ans ou toutes les 100 h
Points d'entretien	Intervention					
Huile moteur	Contrôler le niveau					
	Changer				(1)	
Filtre à air	Vérifier					
	Nettoyer			(1)		
	Changer					(1)
Sac de ramassage	Nettoyer					
Serrage des vis de la lame et état de la lame	Vérifier					
Bougie d'allumage	Vérifier					
	Nettoyer					
Pare-étincelles (Pièce en option)	Nettoyer				(6)	
Câble de ROTOSTOP (3)	Vérifier		(2)		(2)	
	Ajuster si nécessaire		(2)		(2)	
Câbles de frein de lame (4)	Vérifier					
	Ajuster si nécessaire		(2)		(2)	
ROTOSTOP (3)	Vérifier		(2)		(2)	
Câble d'embrayage d'avancement (5)	Vérifier					
Câble de commande des gaz	Vérifier		(2)		(2)	
	Ajuster si nécessaire		(2)		(2)	
Jeu aux soupapes	Ajuster si nécessaire					(2)
Réservoir d'essence et filtre	Nettoyer				(2)	
Circuit d'essence	Vérifier (remplacer si nécessaire)	Tous les 2 ans (2)				
Patin de frein de volant (4)	Vérifier			(2)		
Courroie de transmission (5)	Vérifier				(2)	
Carter de coupe	Nettoyer					

- (1) Augmenter la fréquence de nettoyage en cas d'utilisation dans des zones poussiéreuses.
- (2) L'entretien de ces points doit être confié à un concessionnaire agréé Honda.
- (3) Types HYEА, VYEА
- (4) Types PKEА, VKEА
- (5) Types HYEА, VKEА, VYEА
- (6) En Europe et dans les pays soumis à la directive machine 2006/42/EC, ce nettoyage doit être fait par votre concessionnaire.

## DÉPISTAGE DES PANNES

### LE MOTEUR NE DÉMARRE PAS

Cause possible	Solution
Robinet d'essence sur OFF (fermé).	Tourner le robinet d'essence sur ON (ouvert) (page 7).
La manette des gaz est dans la mauvaise position.	Déplacer la manette des gaz sur la position "RAPIDE" (page 7).
Pas d'essence.	Faire le plein (page 4).
Mauvaise essence ; tondeuse entreposée sans vidange ou avec essence non traitée, ou plein fait avec essence éventée.	Refaire le plein avec de l'essence fraîche (page 4).
La bougie est défectueuse, mal posée, sale.	Nettoyer, remplacer ou changer la bougie (page 10).
La bougie est enduite d'essence (moteur noyé).	Sécher et réinstaller la bougie. Démarrer le moteur, avec la manette des gaz dans la position "RAPIDE".
Event de réservoir d'essence bouché, carburateur encrassé ou allumage défectueux.	L'entretien de ces points doit être confié à un concessionnaire agréé Honda.
Le levier du frein de lame moteur n'est pas appuyé contre le guidon (modèles équipés).	Le levier de frein de lame doit être maintenu serré contre le guidon (page 11).

### PERTE DE PUISSANCE

Cause possible	Solution
La manette n'est pas en position "RAPIDE".	Mettre la manette sur "RAPIDE" (page 7).
L'herbe est trop haute pour être coupée.	Augmenter la hauteur de coupe (page 5), couper des bandes plus étroites (page 9), ou couper l'herbe plus souvent. Régler le bouton d'embrayage de lame.
Le carter de coupe est engorgé.	Nettoyer le carter de coupe (page 11).
Filtre à air bouché.	Nettoyer ou remplacer le filtre à air (page 9).
Essence éventée ; tondeuse entreposée sans vidange ou avec essence non traitée, ou plein fait avec de l'essence éventée.	Refaire le plein avec de l'essence neuve (page 4).
Event de réservoir d'essence bouché, carburateur encrassé ou allumage défectueux.	L'entretien de ces points doit être confié à un concessionnaire agréé Honda.

### PROBLEMES DE MISE EN SAC ET TONTE

Cause possible	Solution
La vitesse du moteur est trop faible pour couper.	Avancer le levier dans la position "RAPIDE" (page 7).
La tondeuse avance trop vite, vu l'état de la pelouse.	Sélectionner une vitesse plus lente (modèles équipés) ou pousser plus lentement.
Le sac de ramassage est trop plein ou bouché.	Vider le sac à herbe. Laver-le s'il est encrassé par de la poussière (pages 9 et 12).
Le carter de coupe est bouché.	Nettoyer le carter de coupe (page 11).
La (les) lame(s) sont émoussées, tordues ou endommagées.	Affûter ou remplacer la(les) lame(s) (page 12).
Lame inadéquate en place.	Installer la lame correcte (page 12).

### VIBRATIONS

Cause possible	Solution
La lame a du jeu ou est tordue, endommagée ou déséquilibrée par un mauvais affûtage.	Resserrer les vis de la lame. Remplacer la(les) lame(s) endommagée(s) (page 12).
Dommages mécaniques (vilebrequin tordu, par exemple).	L'entretien de ces points doit être confié à un concessionnaire agréé Honda.

# REMISAGE

## PRÉPARATION POUR LE REMISAGE



Procéder aux opérations suivantes, afin de protéger la tondeuse chaque fois qu'elle doit être remise pour une période de plus de 30 jours.

### ATTENTION :

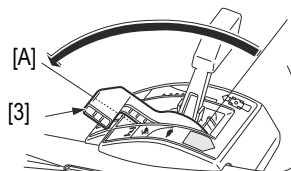
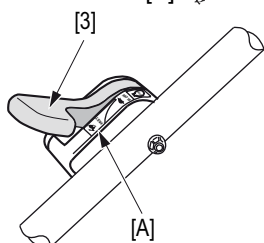
**Ne pas vidanger le réservoir d'essence alors que le pot d'échappement est chaud.**

1. Vidanger le réservoir d'essence et le carburateur dans un récipient adéquat [1] :

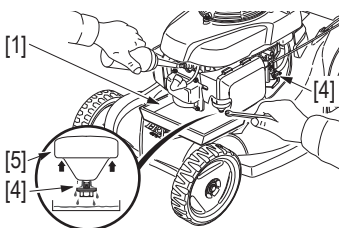
- a. Ouvrir le robinet d'essence [2].



- b. Mettre le levier de commande des gaz [3] sur la position "RAPIDE" [A].



- c. Desserrer la vis de vidange [4] (1/4 à 1/2 tour maximum).



- d. Soulever la cuve du carburateur [5] pour vidanger.



- e. Revisser ensuite la vis et fermer le robinet d'arrivée d'essence [2].



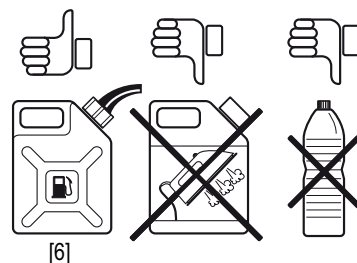
2. Changer l'huile moteur (voir page 10).
3. Tirer le lanceur jusqu'à sentir une résistance. Cela permet de fermer les soupapes et de les protéger de la poussière et de la corrosion.
4. Enduire d'un léger film d'huile les surfaces qui sont susceptibles de rouiller. Recouvrir la tondeuse et la remettre sur un sol plan et dans un endroit sec, à l'abri de la poussière. Ne pas utiliser de bâche en plastique qui retiendrait l'humidité.

**NOTE :** Si la tondeuse doit être remise pendant une période de plus de 3 mois, retirer la bougie d'allumage et verser 5 à 10 cm<sup>3</sup> d'huile moteur propre dans le cylindre, tirer ensuite doucement deux ou trois fois le lanceur, afin de bien répartir l'huile. Ne pas laisser la tondeuse couchée sur le côté pendant une longue période. Ceci peut être la cause d'un démarrage difficile du moteur et d'une fuite de l'huile de transmission.

## STOCKAGE DE CARBURANT

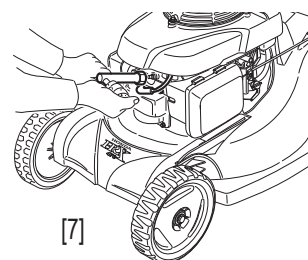
### NOTE :

- L'essence s'oxyde et se détériore pendant l'entreposage. L'essence éventée entraîne des démarrages difficiles et des dépôts qui encrassent le système de carburation. Si l'essence contenue dans le moteur se détériore pendant l'entreposage, vous pouvez avoir à réparer le carburateur et d'autres éléments du système de carburation.
- Prenez soin d'utiliser des contenants ou bidons spécifiquement conçus pour les hydrocarbures [6]. Ceci évitera de polluer l'essence par dissolution des parois du récipient, qui entraîne un mauvais fonctionnement du moteur.
- Stocker le carburant à l'abri de la lumière du jour, dans un local à température constante (éviter les abris de jardins).
- La garantie ne couvrira pas un carburateur obstrué ou des soupapes gommées par de l'essence vieillie ou polluée.
- La qualité du carburant sans plomb s'altère très rapidement (2 à 3 semaines dans certains cas), n'utilisez pas de carburant de plus d'un mois. Stocker le strict minimum nécessaire à votre consommation mensuelle.

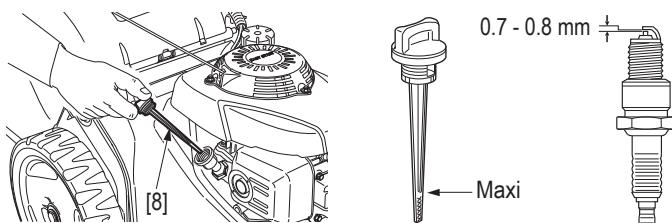


## RÉUTILISATION APRÈS REMISAGE

1. Retirer la bougie d'allumage [7], vérifier si elle est propre et si l'écartement des électrodes est correct. Tirer le lanceur à plusieurs reprises.



2. Il est recommandé de visser la bougie à la main aussi loin que possible ; puis se servir d'une clé à bougie pour donner encore 1/8 à 1/4 de tour supplémentaire.
3. Vérifier le niveau et l'état de l'huile moteur [8].



4. Remplir le réservoir d'essence et mettre le moteur en marche.

**NOTE :** Si le cylindre a été enduit d'huile, le moteur fumera au démarrage mais cela est normal.

# TRANSPORT

## TRANSPORT DE LA TONDEUSE

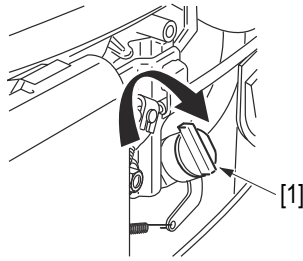


### ATTENTION :

Pour ne pas risquer de répandre de l'essence ou de l'huile, ne pas incliner la tondeuse ; de l'essence répandue ou encore des vapeurs d'essence risquent de prendre feu.

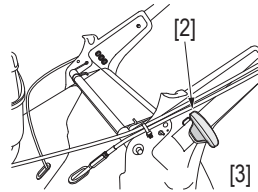
Pour transporter la tondeuse :

1. Mettre le levier de commande des gaz sur la position "ARRET" (sauf types PKEA, VKEA).
2. Enlever le capuchon de la bougie.
3. Fermer le robinet d'arrivée de carburant [1].

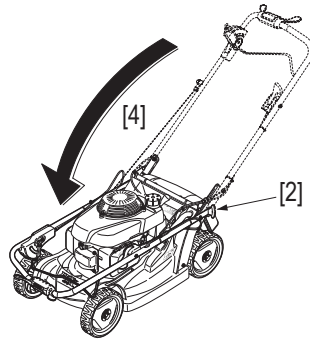


Pour plus de commodités :

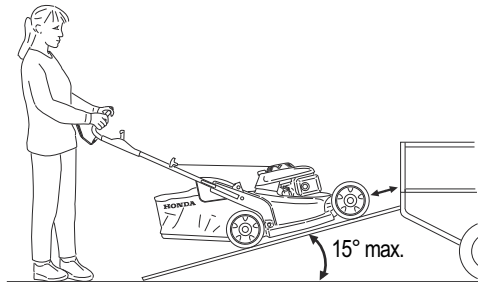
1. Retirer le sac de ramassage (voir page 12).
2. Tourner les boutons de pliage/réglage du guidon [2] d'un quart de tour en position déverrouillée [3].
3. Replier le guidon [4].



**NOTE :** Après avoir plié le guidon, vérifier si les câbles ne sont pas noués, tordus ou encore trop tendus.



## CHARGEMENT DE LA TONDEUSE



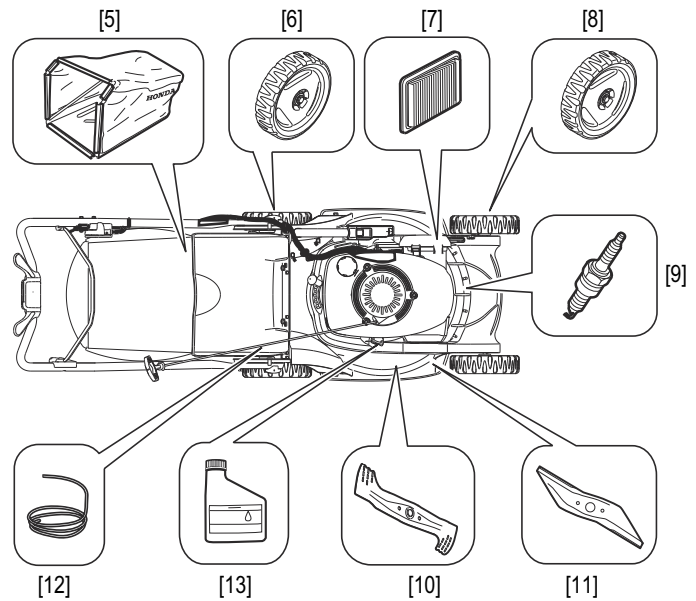
### PRÉCAUTION :

- Pour éviter tout risque de perte de contrôle ou d'endommagement de la tondeuse, ne pas utiliser le système de traction lorsqu'on fait monter ou descendre la tondeuse sur une rampe de chargement.
- Pour éviter d'endommager le système de traction, ne pas enclencher l'embrayage lorsque la tondeuse roule en marche arrière.
- Transporter la tondeuse en position horizontale, ses quatre roues étant à plat sur la plate-forme du véhicule.
- Il est recommandé d'avoir recours à une rampe de chargement ou de se faire aider par quelqu'un pour charger ou décharger la tondeuse.
- Régler la rampe de chargement de façon à ce que son angle d'inclinaison soit inférieur à 15°.
- Lorsqu'on transporte la tondeuse, l'immobiliser à l'aide de sangles et placer des cales sous les roues.
- Les sangles ne doivent pas toucher les parties suivantes de la tondeuse : le levier de commande des gaz, le levier de l'embrayage de lame, le réservoir d'essence, ainsi que l'ensemble des câbles de commande.

# INFORMATIONS UTILES

## TROUVER UN CONCESSIONNAIRE AGRÉÉ

Rendez-vous sur le site internet européen : <http://www.honda-eu.com>



## PIÈCES COURANTES, ACCESSOIRES EN OPTION ET CONSOMMABLES

Prendre contact avec un revendeur agréé Honda pour acheter une des pièces d'origine listées ci-dessous, ou pour toute autre pièce.

HRX476C			
<b>Pièces courantes</b>			
[5]	Sac à herbe	81320-VK8-J50	Sac uniquement (sans châssis)
[6]	Roue arrière	42710-VK8-J50ZA	
[7]	Filtre à air	17211-ZL8-023	Filtre papier
[8]	Roue avant	44710-VK8-J50ZA	
[9]	Bougie d'allumage	98079-55846	NGK (marque) : BPR5ES (modèle)
[10]	Lame standard	72511-VK8-J50	Nécessite l'utilisation d'une clé dynamométrique
[11]		72531-VK8-J50	
[12]	Corde de lanceur	28462-ZL8-631	Faire remplacer par votre concessionnaire Honda
<b>Consommables</b>			
[13]	Huile moteur	08221-888-061HE SAE 10W30, 0,6 l	Huile pour moteurs 4 temps

### ATTENTION :

Pour votre sécurité, il est formellement interdit de monter tout autre accessoire que ceux spécifiquement conçus pour votre modèle et type de tondeuse, listés ci-dessus.



# SPÉCIFICATIONS TECHNIQUES

MODÈLE	HRX476C			
TYPES	PKEA	VKEA	VYEA	HYEA
<b>CARACTÉRISTIQUES GÉNÉRALES</b>				
Code de description	MASF			
Fonction	Couper de l'herbe (tondre)			
Dimensions L x l x h	mm	1 600 x 530 x 1 010	1 545 x 530 x 960	1 610 x 530 x 1 035
Poids à vide	kg	36	39	42
Voie AV/AR	mm	430 / 453		
Largeur de coupe	mm	470		
Réglages de hauteur de coupe	mm	7 positions (25 à 79 mm)		
Diamètre des roues AV/AR	mm	212 / 212		
Capacité du sac de ramassage	ℓ	69		
Niveau de pression acoustique au poste de conduite (selon directive EN 836: 1997 + A4: 2011)	dB(A)	81,5		
Incertitude de mesure	dB(A)	1		
Niveau de puissance acoustique mesurée (selon directives 2000/14/CE, 2005/88/EC)	dB(A)	94		
Incertitude de mesure	dB(A)	1		
Niveau de puissance acoustique garantie (selon directives 2000/14/CE, 2005/88/EC)	dB(A)	95		
Mesure de vibrations (selon directives EN 836: 1997 + A4: 2011, EN12096-D: 1997) (**)	m/s <sup>2</sup>	2,8		
Incertitude de mesure	m/s <sup>2</sup>	0,9		
<b>MOTEUR</b>				
Modèle	GCV160A			
Type	Monocylindre 4 temps à soupapes en tête			
Cylindrée	cm <sup>3</sup>	160		
Alésage x Course	64 x 50			
Refroidissement	Air forcé			
Lubrification	Par projection			
Rapport de compression	8,5 : 1			
Puissance nette (*)	kW/tr/min.	3,3 / 3 600		
Puissance nominale	kW/tr/min.	2,7 / 2 800		
Vitesse régulée d'utilisation	tr/min.	2 800 <sup>+0</sup> -100		
Vitesse de ralenti	tr/min.	1 700 ± 150		
Allumage	Magnético-transistorisé			
Bougie	NGK : BPR5ES			
Écartement des électrodes	mm	0,7 à 0,8		
Filtre à air	Élément sec (papier)			
Carburant recommandé	Sans plomb 95 ou 98			
Capacité du réservoir d'essence	ℓ	0,91		
Consommation essence	ℓ/h	1,1		
Autonomie (*)	h	0,8		
Huile recommandée	SAE 10W30			
Capacité huile moteur	ℓ	0,5		
<b>TRANSMISSION</b>				
Type	-	Friction par cônes		Hydrostatique
Moteur vers transmission	-	Courroie en V		
Transmission finale	-	Engrenage		
Nombre de rapports	-	Variation continue		
Vitesse d'avancement	m/s	0 ~ 1,4		
Lubrification	-	Bain d'huile et projection		
Lubrifiant recommandé	-	SAE 10W30 API Grade SL / SJ		Honda HST
Capacité d'huile	cm <sup>3</sup>	-	150	140

(\*) La puissance nominale du moteur indiquée dans le présent document est la puissance nette testée sur un exemplaire de série du moteur modèle GCV160A et mesurée conformément à la norme SAE J1349 à 3 600 tr/min. (Puissance nette). Les moteurs produits en grande série peuvent présenter des valeurs différentes. La puissance effective du moteur installé sur la tondeuse peut varier en fonction de nombreux facteurs, notamment du régime de rotation du moteur en cours d'utilisation, des conditions d'ambiance, de l'entretien et d'autres variables.

(\*\*) Valeurs pour une machine équipée d'un sac de ramassage en position ramassage.



# EINFÜHRUNG

Sie haben einen Rasenmäher von Honda erworben. Wir bedanken uns für Ihr Vertrauen und beglückwünschen Sie zur Ihrem Kauf. Bitte lesen Sie die Anleitung vor Inbetriebnahme aufmerksam durch. Sie wurde geschrieben, um Ihnen zahlreiche, praktische Hinweise zu geben, damit Sie die notwendige Wartung vornehmen können, die Ihnen jene dauerhafte Freude sichert, die Sie von einem Honda-Erzeugnis erwarten dürfen. Beachten Sie bitte auch, daß Honda unaufhörlich an der technologischen Verbesserung seiner Erzeugnisse arbeitet und bemüht ist, sie durch Ersatz neuer Materialien und ständig verbesserter Herstellungsmethoden in den Genuß eines Spitzenerzeugnisses zu bringen. Es ist daher möglich, daß Ihr Gerät eventuell in kleinen Details nicht ganz der vorliegenden Bedienungs- bzw. Betriebsanleitung entspricht. Wir danken für Ihr Verständnis für diesen Vorbehalt, der technische Änderungen ohne vorherige Ankündigung betrifft und der bei hochwertigen Geräten allgemein üblich ist. Sollten Fragen oder Probleme auftauchen, die in der vorliegenden Schrift nicht behandelt werden, so wenden Sie sich bitte an Ihr Honda Fachgeschäft, oder an die Kundendienst-Abteilung einer Honda-Verkaufsniederlassung. Wir empfehlen, diese Betriebsanleitung in der Nähe Ihres Gerätes aufzubewahren, damit sie bei Bedarf sofort greifbar ist. Sollten Sie Ihr Gerät später einmal durch ein neues ersetzen, so wird Ihnen Ihr Käufer für die Überlassung dieser Anleitung dankbar sein. Bitte lesen Sie auch die separat beiliegende Garantie-Urkunde. Sie enthält wichtige Hinweise, die Ihre und unsere Rechte und Pflichten betreffen. Vervielfältigung oder Nachdruck der vorliegenden Anleitung sind ohne vorherige, schriftliche Zustimmung nicht gestattet.

## SICHERHEITSHINWEISE

Bitte lesen Sie zur Ihrer eigenen Sicherheit und einer bestmöglichen Nutzung Ihrer Maschine diese Bedienungsanleitung vollständig durch.

Folgende Symbole und ihre Bedeutung sind zu beachten:

### **⚠️ WARNUNG :**

**Gefahr schwerer Verletzungen bei Nichtbeachtung dieses Hinweises.**

### **VORSICHT:**

- Hinweis auf Verletzungsgefahr des Bedieners oder auf Beschädigungsgefahr für das Gerät.

**HINWEIS:** Nützliche, praktische Hinweise.

## ERKLÄRUNG DER IN DIESER BEDIENUNGSANLEITUNG VERWENDETEN KODE

HRX476C	H Y E A	P K E A	V K E A	V Y E A
Selbstfahrende mit hydrostatischem Antrieb .....	•			
Entwickelt .....		•		
Selbstfahrend mit Antrieb mit Geschwindigkeitsänderung .....			•	•
Messerbremse .....		•	•	
Rotostop .....	•			•

Das Modell Ihrer Maschine ist auf dem "Typenschild" angegeben und besteht aus einer Serie aus Buchstaben und Zahlen (siehe Seite 3).

 \_\_\_\_\_  
Hier die Seriennummer Ihrer Maschine eintragen

\_\_\_\_\_   
Hier das Modell Ihrer Maschine eintragen

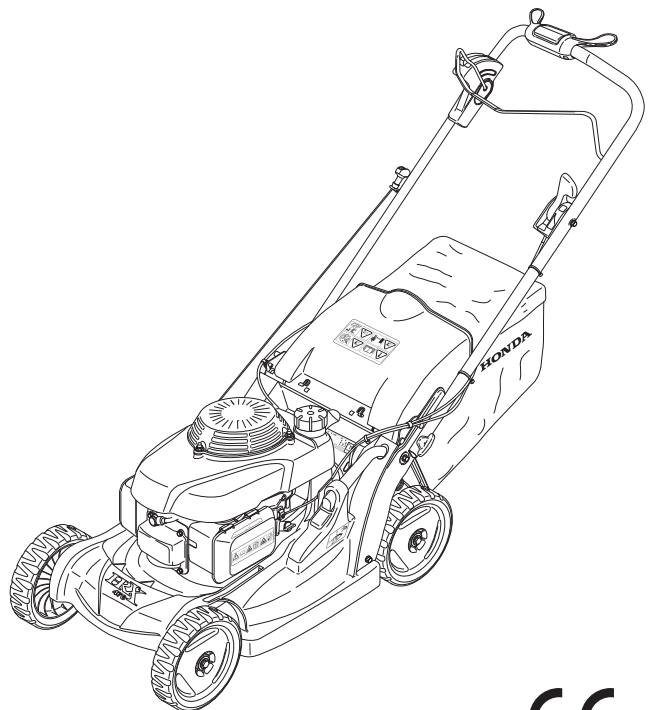
**HONDA**  
POWER EQUIPMENT

## BETRIEBSANLEITUNG

Originalbetriebsanleitung

# HRX476C

## Rasenmähers



DEUTSCH

## INHALTSVERZEICHNIS

Einführung .....	1
Sicherheitshinweise .....	2
Sicherheitsaufkleber .....	3
Geräte-Kennzeichnung .....	3
Allgemeine Beschreibung .....	3
Vorbereitung und Kontrollen vor Inbetriebnahme .....	4
Auswahl der Mähart .....	6
Anlassen und Abschalten des Motors .....	7
Empfehlungen für den Betrieb .....	7
Wartung .....	9
Störungsbeseitigung .....	13
Längere Außerbetriebsetzung .....	14
Gerätetransport .....	15
Nützliche Informationen .....	15
Technische Daten .....	16
Adressen der wichtigsten Honda-Haupthändler .....	17
"EG-Konformitätserklärung" INHALTSÜBERSICHT .....	18

# SICHERHEITSHINWEISE

Bitte lesen Sie zur Ihrer eigenen Sicherheit und einer bestmöglichen Nutzung Ihrer Maschine diese Bedienungsanleitung vollständig durch.

Folgende Symbole und ihre Bedeutung sind zu beachten:



**Gefahr schwerer Verletzungen bei Nichtbeachtung dieses Hinweises.**

## VORSICHT:

- *Hinweis auf Verletzungsgefahr des Bedieners oder auf Beschädigungsgefahr für das Gerät.*

**HINWEIS:** Nützliche, praktische Hinweise.



Dieses Zeichen mahnt zur Vorsicht bei gewissen Handgriffen und bittet Sie, die Sicherheitshinweise mit den genannten Nummern zu beachten.

## ANLEITUNG

- A1.** Lesen Sie das vorliegende Handbuch aufmerksam durch. Machen Sie sich mit der Funktionsweise und Bedienung des Rasenmähers vertraut, bevor Sie diesen benutzen. Sie müssen in der Lage sein, den Motor rasch abzuschalten.
- A2.** Verwenden Sie den Rasenmäher ausschließlich zum vorgesehenen Zweck, d.h. zum Mähen des Rasens und Sammeln des Schnittgutes. Der Einsatz zu anderen Zwecken kann gefährlich sein oder zu Schäden am Gerät führen.
- A3.** Kinder sowie Personen, die mit den Anwendungshinweisen nicht vertraut sind, dürfen den Rasenmäher keinesfalls bedienen. Im Rahmen der lokalen Gesetzgebung kann ein Mindestalter für den Benutzer festgesetzt sein.
- A4.** Den Rasenmäher nicht benutzen, wenn:
  - Sich Personen, insbesondere Kinder, oder Tiere in der Nähe aufhalten;
  - Der Benutzer Medikamente oder Substanzen eingenommen hat, die sein Reaktionsvermögen und seine Aufmerksamkeit einschränken können.
- A5.** Denken Sie immer daran, daß der Eigentümer oder Benutzer des Rasenmähers für Unfälle und Schäden haftet, die Dritten bzw. am Eigentum von Dritten entstehen.

## VORBEREITUNG

- B1.** Tragen Sie beim Mähen immer festes Schuhwerk und lange Hosen. Benutzen Sie den Rasenmäher keinesfalls, wenn Sie keine Schuhe bzw. Sandalen tragen.
- B2.** Prüfen Sie die betreffende Rasenfläche zunächst gründlich und entfernen Sie eventuelle Fremdkörper, die durch den Rasenmäher aufgeschleudert werden könnten (Steine, Holzstücke, Drähte, Knochen etc...).
- B3. ACHTUNG: GEFAHR!** Benzin ist feuergefährlich.
  - Bewahren Sie Benzin in Behältern auf, die speziell für diesen Zweck bestimmt sind.
  - Betanken Sie den Rasenmäher nur im Freien bei ausgeschaltetem Motor. Rauchen Sie nicht, während Sie mit Benzin umgehen.
  - Wenn der Motor in Betrieb oder noch warm ist, darf der Deckel des Benzintanks keinesfalls geöffnet bzw. Benzin eingefüllt werden.
  - Starten Sie den Motor nicht, wenn Benzin verschüttet wurde: entfernen Sie den Rasenmäher aus dem betreffenden Bereich und vermeiden Sie offene Flammen, solange sich das Benzin und die Dämpfe nichtverflüchtigt haben.
  - Verschließen Sie den Deckel des Tanks und Benzinbehälters wieder sorgfältig.
  - Vor dem Kippen des Rasenmähers für Arbeiten am Messer oder zum Auslaufenlassen des Öls den Kraftstofftank leeren.
- B4.** Defekte Auspuffschalldämpfer müssen ausgetauscht werden.
- B5.** Vor jedem Einsatz muß der Rasenmäher einer allgemeinen Überprüfung unterzogen werden; insbesondere sind die Schneidmesser, Befestigungsbolzen und die gesamte Schneideinheit auf Verschleiß oder Beschädigungen zu prüfen. Sind Teile beschädigt oder abgenutzt, so ist jeweils der komplette Teilesatz auszutauschen.

## BEDIENUNGSELEMENTE UND BAUGRUPPEN

- C1.** Schalten Sie den Motor nicht in geschlossenen Räumen ein, in denen sich die schädliche Kohlenmonoxidgase ansammeln können.
- C2.** Benutzen Sie den Rasenmäher nur bei Tageslicht bzw. bei guter Beleuchtung.
- C3.** Das Mähen von nassem Gras sollte nach Möglichkeit vermieden werden.
- C4.** Halten Sie während der Arbeit immer einen ausreichenden Sicherheitsabstand zum Schneidmesser ein, der durch die Länge der Lenkstange gegeben ist.
- C5.** Achten Sie darauf, daß Sie beim Mähen gehen und nicht laufen. Lassen Sie sich vom Rasenmäher nicht "vorwärtsziehen".
- C6.** Achten Sie in abschüssigem Gelände auf einen sicheren Schritt. Mähen Sie quer zum Hang und keinesfalls in aufoder absteigender Richtung.

- C7.** Bei Richtungswechseln in abschüssigem Gelände ist besondere Vorsicht geboten.
- C8.** Bei mehr als 20° Gefälle darf der Rasenmäher nicht eingesetzt werden.
- C9.** Seien Sie besonders vorsichtig, wenn Sie den Rasenmäher zu sich herziehen.
- C10.** Das Schneidmesser muß abgeschaltet werden, wenn der Rasenmäher beim Transport oder der Verlagerung von einer Rasenfläche zur nächsten gekippt werden muß.
- C11.** Der Rasenmäher darf keinesfalls benutzt werden, wenn die Schutzvorrichtungen oder das Gehäuse beschädigt sind oder Sicherheitsteile wie das Ablenklech oder die Fangbox fehlen.
- C12.** Die Einstellung des Motorreglers darf keinesfalls verändert werden. Achten Sie darauf, daß der Motor nicht überdreht.
- C13.** Entriegeln Sie vor dem Starten des Motors das Schneidmesser (modellieren mit Rotostop) und die Vorschubkupplung (modellieren Selbstangetriebene).
- C14.** Schalten Sie den Motor vorsichtig ein; beachten Sie dabei die Anwendungshinweise und halten Sie einen ausreichenden Sicherheitsabstand zum Schneidmesser ein.
- C15.** Der Rasenmäher darf beim Starten nicht gekippt werden. Schalten Sie das Gerät auf einer ebenen Fläche ein, auf der sich weder Hindernisse noch hohes Gras befinden.
- C16.** Hände und Füße müssen sich in ausreichendem Abstand zu rotierenden Teilen befinden. Halten Sie immer einen ausreichenden Sicherheitsabstand zum Auswurf.
- C17.** Der Rasenmäher darf keinesfalls angehoben oder transportiert werden, solange der Motor in Betrieb ist.
- C18.** In folgenden Fällen muß der Motor abgeschaltet und der Zündkerzenstecker abgezogen werden:
  - Vor jedem Eingriff unter dem Schneidgehäuse oder im Auswurfkanal.
  - Vor der Reinigung, Überprüfung oder Reparatur des Rasenmähers.
  - Nach dem Kontakt mit einem Fremdkörper. In diesem Fall muß der Rasenmäher auf eventuelle Beschädigungen überprüft werden. Vor dem erneuten Einsatz des Gerätes sind die erforderlichen Reparaturen auszuführen.
  - Wenn der Rasenmäher in anormaler Weise vibriert. Die Ursache der Vibrationen muß sofort ermittelt und beseitigt werden.
- C19.** In folgenden Fällen ist der Motor abzuschalten:
  - Immer wenn der Rasenmäher nicht beaufsichtigt ist.
  - Vor dem Betanken des Rasenmähers.
- C20.** In folgenden Fällen (modellieren mit Rotostop) ist der Motor abzuschalten:
  - Vor dem Einstellen der Schnitthöhe.
  - Bei der Montage und Demontage der Grasfangsackes.
- C21.** Nehmen Sie das Gas weg, bevor Sie den Motor abschalten. Den Benzinhahn schließen.
- C22.** Bei Verwendung anderen als des in der vorliegenden Anleitung empfohlenen Zubehörs kann die Rasenmäher geschädigt werden. Solche Schäden werden von der Garantie nicht gedeckt.

## INSTANDHALTUNG UND LAGERUNG

- D1.** Um sichere Einsatzbedingungen zu gewährleisten, müssen sämtliche Schrauben und Muttern angezogen sein. Die regelmäßige Wartung des Rasenmähers ist eine wesentliche Voraussetzung für die Erhaltung der Sicherheit und Leistung des Gerätes.
- D2.** Der Rasenmäher darf keinesfalls mit gefülltem Tank in einem Raum gelagert werden, wo die Benzindämpfe mit einer offenen Flamme, Funken oder einer starken Wärmequelle in Kontakt kommen könnten.
- D3.** Lassen Sie den Motor abkühlen, bevor Sie den Rasenmäher in einem Raum unterbringen.
- D4.** Beseitigen Sie Blätter, Grashalme und überschüssiges Fett, die sich am Rasenmäher, insbesondere am Motor und Auspufftopf, sowie im Lagerungsbereich des Benzins befinden; so reduzieren Sie die Brandgefahr. Lagern Sie Container mit Gartenabfällen nicht in einem geschlossenen Raum oder in unmittelbarer Umgebung eines Raumes.
- D5.** Wenn der Kraftstofftank entleert werden muß, so darf dies nur im Freien und bei kaltem Motor geschehen.
- D6.** Prüfen Sie die Schnittgut-Sammeleinheit in regelmäßigen Abständen auf Verschleiß oder Beschädigungen.
- D7.** Verwenden Sie den Rasenmäher nicht, wenn Teile beschädigt oder abgenutzt sind. Die Teile dürfen nicht repariert, sondern müssen ausgetauscht werden. Verwenden Sie dazu Originalteile von Honda. Die Schneidmesser müssen immer mit der Marke Honda sowie einer Referenz gekennzeichnet sein. Teile anderer Güte können zu Schäden am Gerät führen und Ihre Sicherheit beeinträchtigen.
- D8.** Tragen Sie bei der Demontage und Montage des Schneidmessers dicke Handschuhe, oder beim Reinigung des Mähewerks. Zum Festziehen und Lösen des Messers die Messerdrehung mittels eines Holzblocks blockieren.
- D9.** Achten Sie beim Schärfen des Schneidmessers darauf, daß seine Gleichmäßigkeit erhalten bleibt.

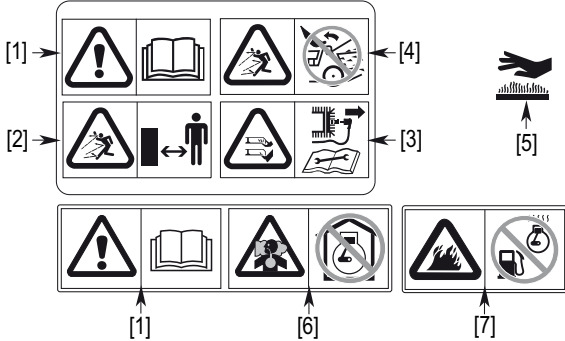
# SICHERHEITS-AUFKLEBER

Bitte seien Sie bei der Benutzung Ihres Rasenmähers vorsichtig. Aus diesem Grund haben wir am Gerät Symbole angebracht, die Sie auf die wichtigsten Vorsichtsmaßnahmen hinweisen.

Die Bedeutung der Symbole ist unten erklärt.

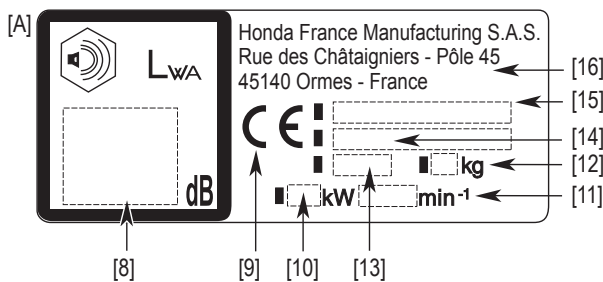
Diese Aufkleber sind als Teil des Mähers zu betrachten. Sollte eines davon nicht angebracht oder nicht deutlich lesbar sein, setzen Sie sich bitte zwecks Ersatz mit Ihrem Honda- Händler in Verbindung.

Wir empfehlen Ihnen außerdem, die Sicherheitshinweise auf aufmerksam durchzulesen (siehe Seite 2).



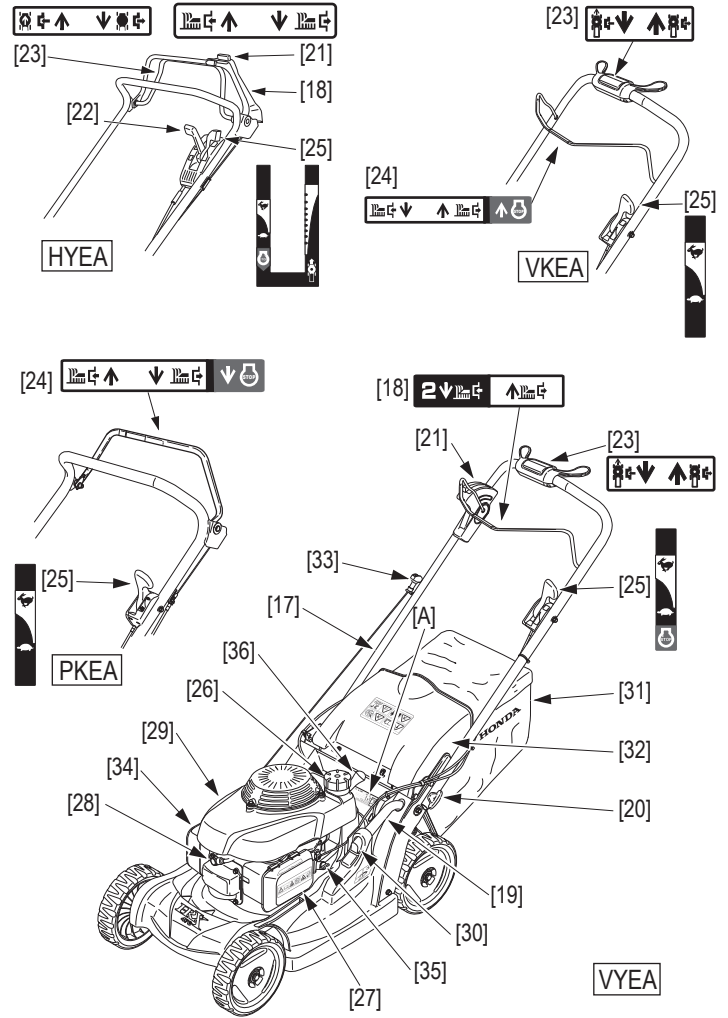
- [1] **WARNUNG:** Leser Sie vor dem Benutzen des Mähers die Bedienungsanleitung genau durch.
- [2] Gefährdung von Personen. Bei Betrieb Dritte vom Gefahrenbereich fernhalten.
- [3] Verletzungsgefahr. Gefahr durch umlaufende Schneidwerkzeuge: Hände und Füße fernhalten. Entfernen. Sie den Zündkerzenstecker vor allen Wartungs oder Reparatur arbeiten.
- [4] Nicht ohne prallblech oder grasfangsack verwenden.
- [5] Der Auspufftopf wird während des Betriebs sehr heiß und bleibt auch nach dem Abstellen des Motors eine gewisse Zeit lang heiß.
- [6] Im Abgas des Motors ist giftiges Kohlenmonoxid enthalten. Nicht in einem geschlossenen Bereich laufen lassen.
- [7] Benzin ist äußerst feuergefährlich und explosiv. Vor dem Tanken den Motor abstellen und abkühlen lassen.

# GERÄTE-KENNZEICHNUNG



- [8] Schall-Leistungspegel
- [9] CE-Zeichen
- [10] Nennleistung in Kilowatt
- [11] Motor-Drehzahl pro Minute
- [12] Gewicht in Kilogramm
- [13] Herstellungsjahr
- [14] Seriennummer
- [15] Modelle - Typenbezeichnung
- [16] Name und Anschrift des Herstellers

# ALLGEMEINE BESCHREIBUNG



## BEZEICHNUNG DER BAUTEILE

BAUTEILE	FUNKTION
[17] Lenkgestänge	
[18] Fahrkupplung für Schneidmesser/Motor (Rotostop) (*)	Verbinden Sie und stoppt das Blatt
[19] Schnitthöhen-Einstellhebe	Einstellen der Rasenschnitthöhe
[20] Faltnopf / zur Höhenverstellung des Lenkgestängesz.	Damit stellen Sie die Höhe des Lenkgestänges ein oder klappen das Lenkgestänge
[21] Knopf zur Verriegelung des Kupplungsgriffes des Messers (*)	Verhindert unbeabsichtigtes Ingangsetzen des Messerblattes
[22] Betriebsgeschwindigkeitsregler (*)	Damit regeln Sie die max. Betriebsgeschwindigkeit
[23] Antriebssteuerung (*)	Steuert den Antrieb der Hinterräder
[24] Bremshebel für Schneidmesser (*)	Damit stoppen Sie die Drehbewegung der Schneidmesser und den Motor / Schaltet den Rasenmäher ein
[25] Bedienhebel für Motor	Damit stellen Sie die
[26] Benzintank	
[27] Luftfilter	
[28] Zündkerze	
[29] Motoröltan	
[30] Knopf zur Entriegelung des Schnitthöhenhebels	
[31] Grassack	Sammelt das Mähgut
[32] Steinschutz	Schützt vor hochfliegenden Steinen
[33] Anlasser	Damit starten Sie den Motor
[34] Auspuff	
[35] Benzinhebel	Damit schließen / öffnen Sie die Benzinzufuhr
[36] Bediensknopf der variablen Mulching-Funktion	Kontrolliert die ausgeworfene Grasmenge

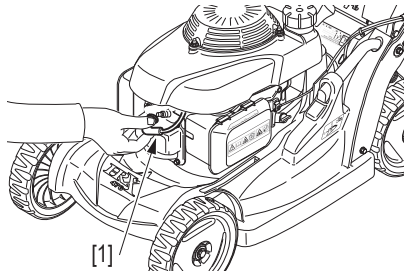
(\*) Für die ausgestatteten Modelle

# VORBEREITUNG UND KONTROLLEN VOR INBETRIEBNAHME



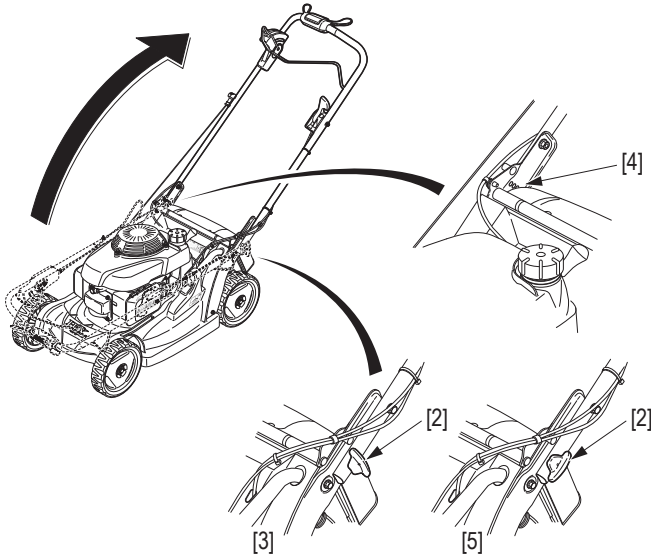
## ! WARNUNG :

Zur Ausführung dieser Arbeiten stellen Sie bitte den Rasenmäher auf horizontalen, festen und grasfreien Boden. Zur Sicherheit ziehen Sie den Zündkerzenstecker [1] ab.



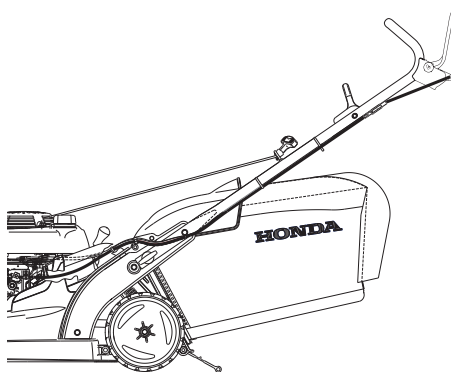
## LENKGESTÄNGE MONTIEREN

1. Die Knöpfe des Faltens/Einstellens des Lenkers [2] um eine Viertelumdrehung auf die entriegelte Position [3] drehen.
2. Den Lenker so aufklappen, dass die Achsen der Falknöpfe mit den oberen, mittleren oder unteren Löchern [4] ausgerichtet sind, je nach gewünschter Höhe des Lenkers.
3. Die Knöpfe auf die verriegelte Position [5] zurückstellen.



Vergewissern Sie sich, dass die Kabelklemmen für die Kabel an der Lenkstange richtig sitzen.

Wie Sie den Grassack montieren, sehen Sie auf den [Seite 12](#).



## KONTROLLE DES GRASSACKS

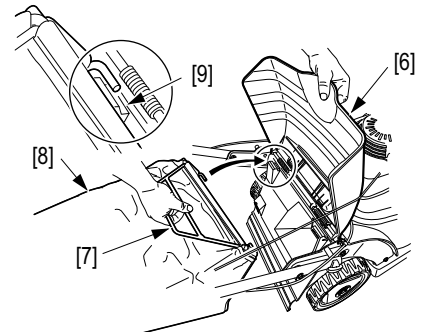


## ! WARNUNG :

Vor Gebrauch prüfen ob der Auswurfdeckel gut schließt. Der Grassack unterliegt auch bei normalem Betrieb einem gewissen Verschleiß. Wenn ein Sack anfängt auszufransen oder Löcher zu bekommen, muß er durch einen neuen Original Honda Sack ersetzt werden.

## Abnehmen des Grassacks:

1. Motor stoppen.
2. Deckel [6] anheben, Sackbügel [7] greifen und Sack [8] nach hinten abziehen.



## Der Rasenmäher arbeitet ähnlich wie ein Staubsauger:

1. Die Propellerform der Messerklinge erzeugt einen Luftstrom, der das Schnittgut in den Sack bläst [9].

**HINWEIS:** Der Rasenmäher funktioniert wie ein Staubsauger; er drückt Luft in den Beutel, der somit das Gras ansaugt. Den Grassack immer ausleeren, bevor er ganz gefüllt ist. Wenn der Sack zu etwa 90 % gefüllt ist, verringert sich die Leistung beim Mähen mit dem Grassack. Außerdem ist es leichter, den Sack auszuleeren, wenn er nicht ganz voll ist.

## BEFÜLLEN DES KRAFTSTOFFTANKS

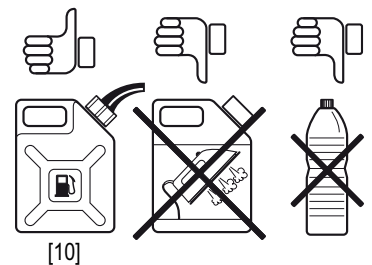
### ! WARNUNG :

Kraftstofftank nie ganz vollfüllen. Im Einfüllstutzen darf sich kein Benzin befinden. Nach dem Füllen Tankverschluß bis zum Anschlag aufschrauben.

Hände oder andere Körperteile nicht länger mit Benzin benetzen, Benzindämpfe nicht einatmen, Kinder fernhalten, nicht rauchen.

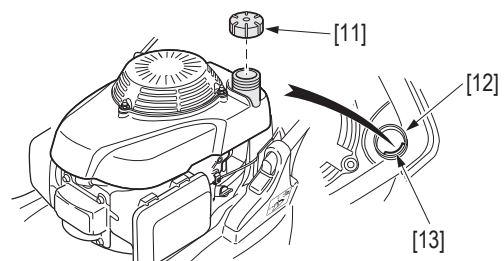
### VORSICHT:

- Benutzen Sie ausschließlich spezielle Treibstoffbehälter oder -kanister [10].
- Kein Benzin/Öl-Gemisch verwenden.
- Verwenden Sie ausschließlich bleifreies Benzin 95 oder 98.
- Schmutz und Staub dürfen nicht in den Benzintank gelangen.
- Nur sauberes, frisches Benzin verwenden. Die Qualität bleifreien Benzins verschlechtert sich mit der Zeit. Lagern Sie Treibstoff nicht länger als einen Monat ([siehe Seite 14](#)).



### Benzinstandkontrolle:

1. Tankverschluß [11] abschrauben und Benzinstand kontrollieren.
2. Falls nötig, nachfüllen [12]. Nicht überfüllen, Füllstand kontrollieren [13].
3. Tankverschluß [11] sorgfältig schließen.



**HINWEIS:** Normal- oder Superbenzin, möglichst bleifrei, kein synthetisches Benzin oder Benzinersatz verwenden. Dies könnte die Zuleitungsschläuche beschädigen.

## ALKOHOLHALTIGES BENZIN

Wenn Sie alkoholhaltiges Benzin verwenden, muß seine Oktanzahl mindestens der von Honda vorgeschriebenen entsprechen (86). Es gibt zwei Arten von Benzin/Alkohol-Gemischen: das eine enthält Äthylalkohol, das andere Methylalkohol.

Kein Gemisch mit mehr als 10 % Äthylalkohol-Anteil verwenden. Kein Benzin/Methylalkohol-Gemisch ohne Zusätze oder ohne Korrosionsschutzmittel und mit mehr als 5 % Methylalkohol-Gehalt verwenden.

**HINWEIS:** Die Garantie schließt Schäden an den Benzinleitungen und schlechte Motorleistung aus, die durch Benutzung von alkoholhaltigem Benzin entstanden sind. Honda rät vom Gebrauch von Methylalkohol/Benzin-Gemischen ab, deren Nebenwirkungen noch nicht erprobt sind.

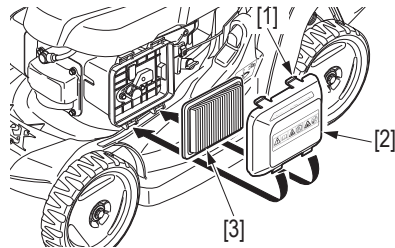
## KONTROLLE DES LUFTFILTERS

### VORSICHT:

- Den Motor nie ohne Luftfilter betreiben! Dies würde zu schnellem Verschleiß von Kolben und Zylinder führen.

### Kontrolle des Luftfilters:

1. Die Verriegelung [1] des Luftfilterdeckels [2] öffnen und den Deckel abnehmen.
2. Kontrollieren Sie den Verschmutzungsgrad des Luftfilterelementes [3]. Sollte dieses Filterelement verschmutzt sein, folgen Sie bitte den Reinigungsvorgaben (Kapitel "Wartung" Seite 9).
3. Das Luftfilterelement [3] und den Deckel [2] wieder montieren.



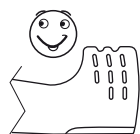
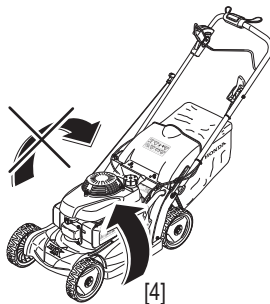
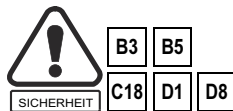
## KONTROLLE DES MESSERS

### VORSICHT:

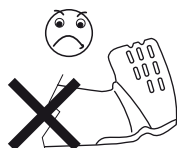
- Bitte kippen/legen Sie den Rasenmäher nicht auf die dem Vergaser zugewandte Seite. Dies könnte Startschwierigkeiten verursachen, da Motoröl in den Luftfilter eindringen kann.

### Zur Inspektion des Messers:

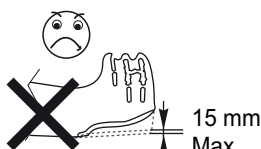
1. Stoppen Sie den Motor.
  2. Ziehen Sie den Zündkerzenstecker ab.
  3. Den Mäher auf die rechte Seite kippen [4], so dass der Benzindeckel oben ist.
- Überprüfen Sie, ob das Schneidmesser Gebrauchsspuren aufweist. Gegebenenfalls muss das Schneidmesser ersetzt werden, wenn die Löcher miteinander verbunden sind oder wenn das Schneidmesser beschädigt ist.



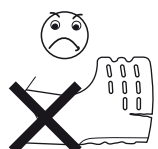
NORMAL



VERBOGEN



STERK VERSLETEN



GESPLETEN

- Befestigungsschrauben mit dem vorgeschriebenen Drehmoment prüfen.
- Für Ausbau und Erneuerung des Messers die Hinweise im Kapitel "Wartung" Seite 9 beachten.

## ! WARNUNG :

**Rasenmäher nie mit abgenutztem oder beschädigtem Messer betreiben. Herausschleudernde Bruchstücke können sehr schwere Verletzungen verursachen.**

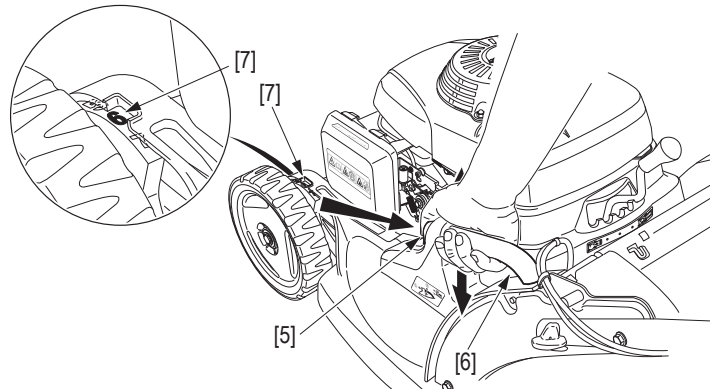
**HINWEIS:** Auf Sandboden ist die Messerabnutzung besonders groß, häufige Messerkontrolle ist bei sandhaltigem Gelände angebracht.

## EINSTELLUNG DER SCHNITTHÖHE

Um die Höhe der Schnittebene zu verstellen:



1. Motor stoppen.
2. Den Entriegelungsknopf [5] gedrückt halten und den Rasenmäher mit Hilfe des Stellgriffes [6] anheben oder absenken. Ein Höhenanzeiger [7] befindet sich nahe dem linken Vorderrad.



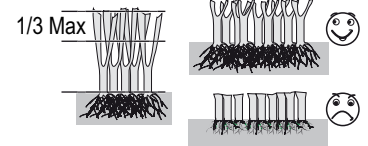
Die Höhenangaben sind Anhaltswerte. Die tatsächliche Schnitthöhe wird am besten durch einen Mähversuch ermittelt, da sie von der Bodenbeschaffenheit und dem Rasen abhängt.

### HINWEIS:

- Schneiden Sie höchstens 1/3 der Anfangshöhe des Grases in einem Mähgang, da sonst braune Flecken entstehen. Der Schnitt ist so einheitlicher, was Verstopfungen des Rasenmähers vorbeugt.

Stufen	Höhe (mm)
1	25
2	34
3	43
4	52
5	61
6	70
7	79

- Wenn der Rasen zu hoch ist, mähen Sie mit der maximal möglichen Schnitthöhe. Mähen Sie noch einmal 2 bis 3 Tage später.



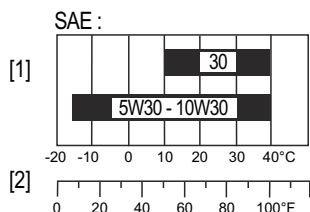
- Die Graswurzeltiefe verändert sich proportional zur Höhe der Grashalme, d.h. je kürzer Sie das Gras schneiden, desto weniger tief wachsen die Graswurzeln.
- Wählen Sie die Schnitthöhe entsprechend der Rasennutzung: für Freizeit und Sport ab 5 cm, für Schmuckrasen 1 bis 3 cm.
- Nur bestimmte Rasensorten vertragen einen Kurzschnitt. Ein zu kurz geschnittener Rasen ist empfindlich und trocknet leicht aus. Lassen Sie sich von einer Fachkraft beraten.

## ÖLSTANDKONTROLLE

### VORSICHT:

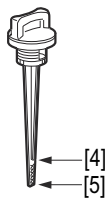
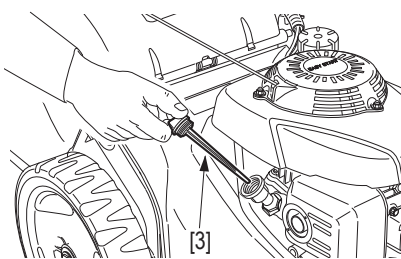
- Das Motoröl beeinflusst die Leistung und Lebensdauer ihres Gerätes.
- Sie können den Motor schwer beschädigen, wenn Sie ihn mit nicht geeignetem Öl füllen. Wir empfehlen Ihnen das Honda-4-Takt-Öl oder ein hoch waschaktives Motoröl von gleicher Qualität. Die Ölviskosität muss für die durchschnittliche Betriebstemperatur des Rasenmähers geeignet sein.

Motorölsorten [1] für verschiedene Temperaturbedingungen [2].



### Kontrolle des Ölstands:

1. Den Rasenmäher auf einen ebenen, horizontalen Boden stellen.
2. Öltankverschluß durch Linksdrehung abschrauben, herausziehen [3] und abwischen.
3. Meßstab wieder bis zum Anschlag in den Einfüllstutzen stecken, nicht einschrauben.
4. Meßstab herausziehen und in waagrechter Stellung den Ölstand ablesen. Der Ölspiegel muß sich zwischen Maximum [4]- und Minimum [5]- Marke befinden. Vor Erreichen der Minimummarke, Öl nachfüllen (siehe auch Wartungshinweise). Kontrolle durch Wiederholung von 3. und 4. Nicht überfüllen.
5. Meßstab wieder in Einfüllstutzen stecken und mit Rechtsdrehung zuschrauben.



## AUSWAHL DER MÄHART

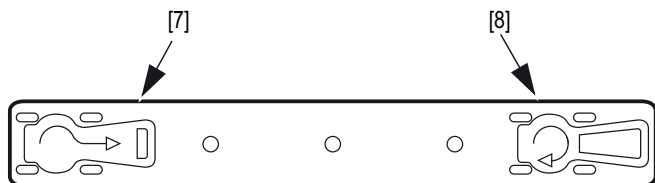
### EINSTELLUNG DES BEDIENKNOPFES DER VARIABLEN MULCHING-FUNKTION

Typen HYEА, VYEА:

1. Den Fahr Kupplungshebel loslassen.

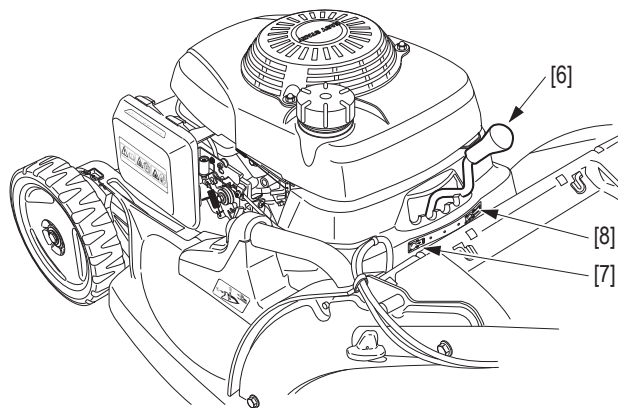
Typen PKEА, VKEА:

1. Lassen Sie den Hebel der Messerbremse los.
2. Den Knopf zur Einstellung der variablen Mulching-Funktion auf eine der 5 Positionen stellen, um die gewünschte Schnittstärke und den gewünschten Grasauswurf zu erhalten.



- **Sammelposition [7]:** Das gesamte gemähte Gras wird auf der Rückseite des Rasenmähers ausgeworfen; die Grashalme werden nicht gehäckselt.
- **Häckselposition [8]:** Die Grashalme werden nicht mehr im Grassack aufgefangen, sondern fein gehäckselt und über den Rasen verteilt. Die auf diese Weise zerkleinerten Grashalme zersetzen sich auf dem Boden und bilden einen natürlichen Humus, der bis zu einem Viertel des Jahresbedarfes an Dünger Ihres Rasens deckt.

3. Machen Sie einen Versuch, um die für Ihre Bedürfnisse idealste Position ausfindig zu machen. Setzen Sie den Grassack auf und beginnen Sie in der Sammelposition zu mähen [7]. Prüfen Sie den Zustand des Rasens. Verstellen Sie den Knopf [6] um eine Stufe nach rechts. Je weiter der Knopf in Richtung Häckselposition [8] gestellt wird, desto mehr Gras wird gehäckselt und auf dem Rasen verteilt. Verstellen Sie den Bedienknopf [6], bis Sie das gewünschte Ergebnis erhalten.



### HINWEIS:

- Mulchen ist eine Methode des natürlichen Düngens. Das gemähte Gras wird nicht im Grassack gesammelt, sondern zerkleinert und wieder auf dem Rasen verstreut.
- Abgesehen von der Funktion des Düngens, schützt Mulchen den Boden, verringert die Wasserverdunstung während Hitzeperioden und erspart Ihnen das Grassammeln.

### RÜCKSEITIGER AUSWURF

Wenn Sie das gemähte Gras nicht aufsammeln möchten, können Sie den Rasenmäher ohne Grassack verwenden. In diesem Fall wird das ausgeworfene Gras über den Steinschlagschutz zum Boden gelenkt. Die Menge an ausgeworfenem Gras ist von der Position des Bedienknopfes der variablen Mulching-Funktion abhängig:

- maximale Auswurfmenge auf Position [7],
- kein Auswurf auf Position [8].



# ANLASSEN UND ABSCHALTEN DES MOTORS



## ANLASSEN DES MOTORS

### VORSICHT:

- Motor niemals bei eingelegerter Messerbremse und Radantrieb starten! Zum Anwerfen, Rasenmäher auf ebene, grasfreie Fläche schieben.



[A]

### SCHNELL

Anwerfen des warmen Motors, Stellung für optimalen Mähbetrieb



[B]

### LANGSAM

Für Leerlauf und zum Sackentleeren



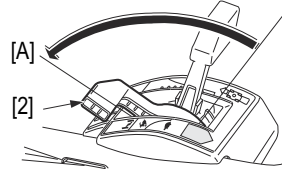
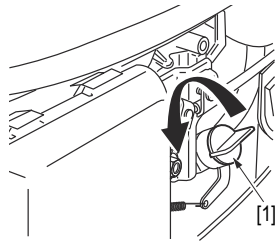
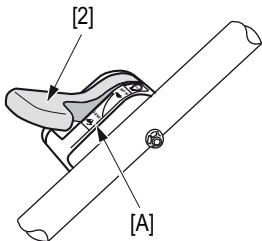
[C]

### STOPP

Motor Abstellung. (Modellen mit Rotostop)

### Alle Modellen:

1. Den Kraftstoffhahn öffnen [1].
2. Gashebel [2] in Stellung "SCHNELL" [A] bringen.

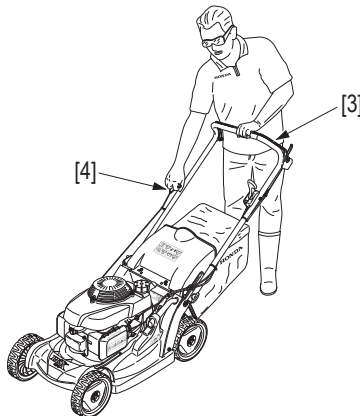


### Typen PKEA, VKEA:

3. Beim Starten des Motors ist der Hebel der Messerbremse [3] gegen den Lenkgriff zu drücken.

### Alle Modellen:

4. Seilgriff [4] langsam ziehen: bis Sie einen Widerstand spüren, dann kräftig und schnell soweit wie möglich herausziehen.



### HINWEIS:

- Herausgezogenen Seilgriff nicht einfach loslassen, sondern per Hand zurückführen: sonst vorzeitiger Verschleiß des Starterzugs.
- Zur Drehzahlregelung kann der Gashebel in jede beliebige Stellung zwischen "SCHNELL" [A] und "LANGSAM" [B] gebracht werden. Für gleichmäßigen Schnitt und bei hohem Gras ist die Stellung "SCHNELL" [A] zu empfehlen.

### Typen HYEА, VYEА:

Der Motor kann abstellen, ob der Hebel auf der Lage [B] "LANGSAM" ist, oder ob die Messer kupplung eingeschaltet ist. Um den Start zu erleichtern, den Rasenmäher auf eine ebne Oberfläche stellen, ohne hohes gras.

## ABSTELLEN DES MOTORS

### Typen HYEА, VYEА:

1. Den Gashebel in Stellung "STOPP" [C] bringen.

### Typen PKEA, VKEA:

1. Den Gashebel in Stellung "LANGSAM" [B] bringen.
2. Lassen Sie den Hebel der Messerbremse los.

### Alle Modellen:

3. Den Benzin hahn schließen "STOPP" [5].



## "ABGESOFFENER" MOTOR

Wenn der Motor nach mehreren Startversuchen nicht anspringt, besteht die Wahrscheinlichkeit, daß er infolge unverbrauchten Benzingemisches in Vergaser und Zylinder "ertrunken" ist. In diesem Fall sieht man zuerst nach, ob nicht eventuell der Tank leer ist und geht dann wie folgt vor.

### Wenn dies nicht der Fall ist:

1. Gashebel in Stellung "STOPP" [C] (Typen HYEА, VYEА).
2. Kerzenstecker abziehen und Zündkerze mit Zündkerzenschlüssel ausbauen. Zündkerze trocknen, eventuell säubern und Elektroden-Abstand (0,7 - 0,8 mm) überprüfen oder, wenn vorhanden, Ersatzkerze einbauen. Gereinigte oder neue Kerze ohne Gewalt bis zum Anschlag von Hand eindrehen, danach mit Schlüssel 1/8 bis 1/4 Drehung festziehen um den Kerzendichtring zu komprimieren.
3. Anschließend den Gashebel auf die Position "SCHNELL" [A] bringen und die im vorausgegangenen "Anstellen des Motors".

## EMPFEHLUNGEN FÜR DEN BETRIEB

### BETRIEB IN GROßEN HÖHEN

In Höhenlagen über 1500 m ist das von einem normalen Rasenmähervergaser erzeugte Gasgemisch zu fett (= benzinreich). Die Motorleistung ist schwächer und der Verbrauch sehr hoch. In diesem Sonderfall lassen Sie bitte von Ihrem Honda-Fachgeschäft eine Vergaserdüse mit kleinerem Durchmesser einbauen und die Regelschraube des Benzin-/Luft-Gemisches vom Fachmann am Betriebsort neu einstellen.

Ohne diese Vergaseränderungen wirken sich Höhen über 1500 m sehr ungünstig auf die Leistung Ihres Gerätes aus. Wenn die Änderung durchgeführt wurde, nimmt die Leistung in Höhen über 1500 m nur noch um 3,5 % pro 300 m ab.

### VORSICHT:

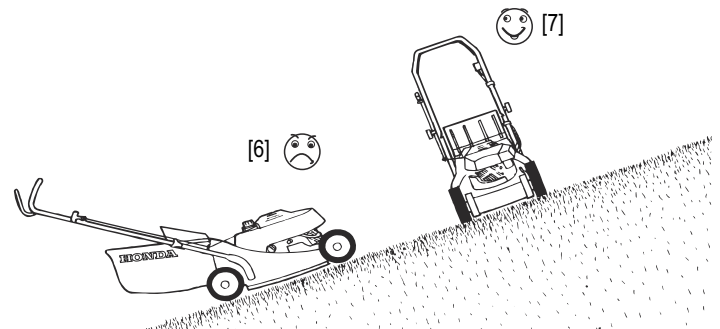
- Wenn Sie einen Rasenmäher, dessen Vergaser für Höhenlagen ist, in normalen Lagen betreiben, wird der Motor infolge des zu mageren Benzin-/Luft-Gemisches zu heiß und kann Schaden erleiden.

### ⚠️ WARNUNG:

An Hängen ist Vorsicht geboten! Der Rasenmäher kann umkippen und die dann frei rotierende Messerklinge kann Steine, Holzstücke u.s.w. ausschleudern. Griffe daher fest anfassen und Gerät sicher führen. Am Hang den Rasenmäher niemals mit dem Fuß lenken.

### VORSICHT:

- Beim Umfahren von Hindernissen genügend Abstand halten.
- Nie absichtlich über einen harten Gegenstand fahren.



[6] UNGÜNSTIG

[7] GUT

**HINWEIS:** Beim Mähen mit Radantrieb auf hügeligem Gelände immer das Gerät führen und sich nicht von ihm ziehen lassen! Vorzugsweise quer zum Hang mähen und bei starken Steigungen Gashebel auf "SCHNELL" stellen, damit der Motor mehr Kraft hat.

## MÄHVORGANG



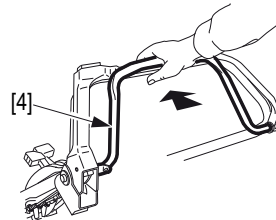
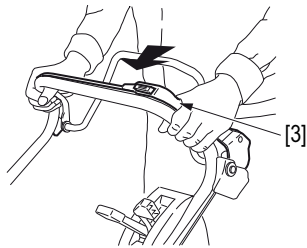
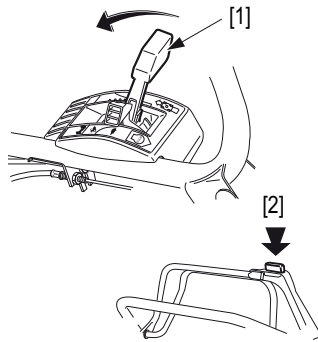
Sicherheitsempfehlungen bitte vor Beginn der Arbeit durchlesen.

Typ HYEА:

### ! WARNUNG :

**Vor dem Starten des Motors den Messerkupplungshebel immer loslassen. Das Anlassen des Motors geht bei ausgekuppeltem Messer leichter. Falls das Messer eingekuppelt ist, bewegt sich das Gerät während des Startens.**

1. Sellen Sie mit Hilfe des Schalthebels die geeignete Geschwindigkeit ein [1].
2. Das Messer einkuppeln:
  - Auf den gelben Knopf [2], der sich oberhalb des Messerkupplungshebels [3] befindet, drücken, dann den Hebel gleichzeitig drücken und gegen das Lenkgestänge festhalten.
3. Den Antriebshebel des Rasenmähers ziehen, sobald dieser seine normale Drehzahl erreicht hat:



- Der Gashebel kann jede Position zwischen "SCHNELL" und "LANGSAM" einnehmen [4], um die Fahrgeschwindigkeit beim Betrieb einzustellen. Die maximale Geschwindigkeit kann durch betätigen der beiden Hebel [3] und [4] erreicht werden. Je höher das zu mähende Gras ist, desto langsamer müssen Sie den Rasenmäher vorwärtsbewegen. So schonen Sie den Motor und verbessern die Schnittqualität.
4. Anhalten des Rasenmähers:
    - Den Antrieb-Kupplungshebel loslassen [4].
  5. Um das Messer abzuhalten:
    - Den Fahr Kupplungshebel loslassen [3].

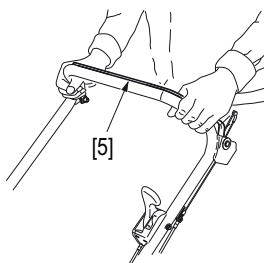
**HINWEIS:** Kann die Antriebsfunktion beim Mähen auf kleinen Flächen auch abgeschaltet werden. Ebenso kann die Antriebskupplung auch für die Vorwärtsbewegung des Rasenmähers benutzt werden, ohne dabei die Schneidmesser-Kupplung zu bedienen (auf Wegen, zwischen Beeten, etc.).

### VORSICHT:

- Messerkupplung zügig und bis zum Anschlag betätigen, damit das Messer entweder einoder ausgekuppelt ist. Zwischenstellungen verschleißten die Kupplung und können den Motor abwürgen.

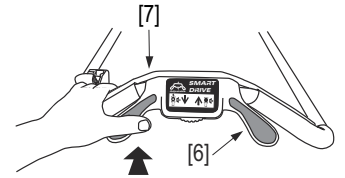
Typ PKEA:

**NOTE:** Bewirkt das Loslassen des Bremshebels für Schneidmesser [5] das Anhalten des Messers und des Motors.



Typ VKEA:

1. Den Antriebshebel des Rasenmähers ziehen [7], sobald dieser seine normale Drehzahl erreicht hat:
  - Langsam den Bedienknopf Smart Drive [6] drücken, um den Rasenmäher vorwärts zu bewegen.
  - Die Fahrgeschwindigkeit erhöht sich mit steigendem Druck auf den Smart Drive-Hebel.
  - Drücken Sie den Hebel je nach gewünschter Geschwindigkeit mehr oder weniger stark. Bei einer bestimmten Position verändert sich die Fahrgeschwindigkeit gemäß verschiedener Faktoren: Bodenbeschaffenheit, Höhe der Grashalme, Gefälle und Gewicht des Grassacks. Mit Hilfe der Smart Drive-Funktion können Sie die gewünschte Fahrgeschwindigkeit bei sich ständig ändernden Mähbedingungen beibehalten.
2. Anhalten des Rasenmähers:
  - Den Smart Drive-Hebel loslassen [6].
3. Um das Messer abzuhalten:
  - Den Bremshebel für Schneidmesser loslassen [7].



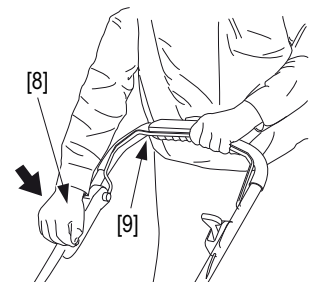
**HINWEIS:** Bewirkt das Loslassen des Bremshebels für Schneidmesser das Anhalten des Messers und des Motors.

Typ VYEA:

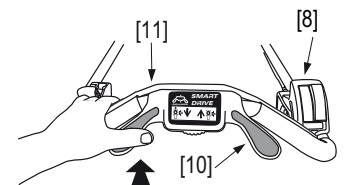
### ! WARNUNG :

**Vor dem Starten des Motors den Messerkupplungshebel immer loslassen. Das Anlassen des Motors geht bei ausgekuppeltem Messer leichter. Falls das Messer eingekuppelt ist, bewegt sich das Gerät während des Startens.**

1. Das Messer einkuppeln:
  - Den Entriegelungsknopf [8] gedrückt halten.
  - Den Kupplungshebel des Messers zum Körper hin ziehen [9].
  - Den Entriegelungsknopf [8] loslassen, sobald die Messer eingestellt sind.
2. Den Antriebshebel des Rasenmähers ziehen, sobald dieser seine normale Drehzahl erreicht hat:



- Langsam den Bedienknopf Smart Drive [10] drücken, um den Rasenmäher vorwärts zu bewegen.
  - Die Fahrgeschwindigkeit erhöht sich mit steigendem Druck auf den Smart Drive-Hebel.
  - Drücken Sie den Hebel je nach gewünschter Geschwindigkeit mehr oder weniger stark. Bei einer bestimmten Position verändert sich die Fahrgeschwindigkeit gemäß verschiedener Faktoren: Bodenbeschaffenheit, Höhe der Grashalme, Gefälle und Gewicht des Grassacks. Mit Hilfe der Smart Drive-Funktion können Sie die gewünschte Fahrgeschwindigkeit bei sich ständig ändernden Mähbedingungen beibehalten.
3. Anhalten des Rasenmähers:
    - Den Smart Drive-Hebel loslassen [10].
  4. Um das Messer abzuhalten:
    - Den Bremshebel für Schneidmesser loslassen [11].



**HINWEIS:** Kann die Antriebsfunktion beim Mähen auf kleinen Flächen auch abgeschaltet werden. Ebenso kann die Antriebskupplung auch für die Vorwärtsbewegung des Rasenmähers benutzt werden, ohne dabei die Schneidmesser-Kupplung zu bedienen (auf Wegen, zwischen Beeten, etc.).

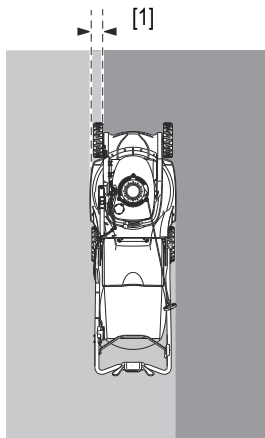


### VORSICHT:

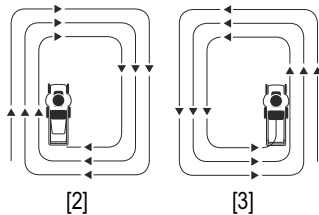
- Messerkupplung zügig und bis zum Anschlag betätigen, damit das Messer entweder einoder ausgekuppelt ist. Zwischenstellungen verschleiben die Kupplung und können den Motor abwürgen.

### HINWEIS:

- Wie oft sollten Sie mähen? Einmal pro Woche bei einem Freizeitraser, zweimal pro Woche bei einem Schmuckrasen.
- Mähen Sie vorzugsweise nachmittags oder abends vor dem Sprengen des Rasens, weil das Gras trocken sein muss. Sollte zuviel Staub aufgewirbelt werden, mähen Sie, wenn das Gras trocken, der Boden aber feucht ist.
- Wählen Sie die Schnitthöhe entsprechend der Rasennutzung (siehe Seite 5).
- Um die Rasenfläche gleichmäßig zu schneiden, müssen Sie den Rasenmäher so führen, dass die Räder der Außenseite (in Richtung des bereits gemähten Rasens) einige Zentimeter neben dem noch ungeschnittenen Rasen fahren [1]. Und je höher das noch ungeschnittene Gras ist, desto größer muss der Abstand zwischen den Rädern der Außenseite und dem noch ungeschnittenen Gras sein.
- Um ein optimales Ergebnis zu erzielen, halten Sie sich an den empfohlenen Mähweg.
- Wenn Ihr Mähgebiet keine regelmäßige Form hat oder viele Hindernisse aufweist, teilen Sie es in Teilstücke auf, die sie in der empfohlenen Richtung mähen können:



- [2] Mit Grassack: mähen Sie im Uhrzeigersinn für ein optimales Ergebnis.
- [3] Mit Mulchmesser-Satz (wahlweise Seite 15): mähen Sie gegen den Uhrzeigersinn.



## AUSLEEREN DES GRASFANGSACKS

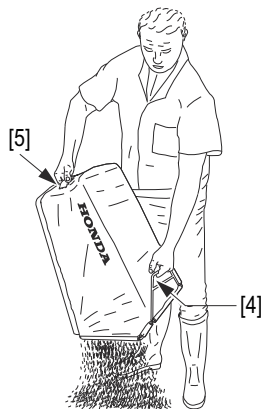
Der Füllstand des Sacks macht sich nach und nach bemerkbar durch: Nachlassen der Aufblähung durch den Mähwind, Geräuschänderung des Rasenmähers, Liegenbleiben von Schnittgut auf dem Mähweg.

### Typen HYE A, VYE A:

1. Den Fahr Kupplungshebel loslassen.

### Typen PKE A, VKE A:

1. Lassen Sie den Hebel der Messerbremse los.
2. Deckel anheben und Sack abnehmen (siehe Seite 4).
3. Sackentleerung:
  - Sack mit einer Hand am Metallbügel [4] halten.
  - Griff [5] mit der anderen Hand anfassen.



### VORSICHT:

- Niemals den vollen Grassack am Rasenmäher oder in geschlossenen Gebäuden belassen. Bei heißem Wetter beginnt das Gras schnell unter Wärmeentwicklung zu gären. Brandgefahr.

## ! WARNUNG:

Sich vor dem Mähen vergewissern, daß der Sack richtig mit dem Rasenmäher verbunden ist (kein Grasaustritt zwischen Sack und Rasenmäher).

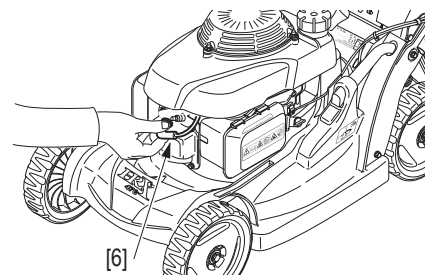
# WARTUNG

Regelmäßige Pflege ist die beste Garantie für linelange Lebensdauer und linen störungsfreien Betrieb.



## ! WARNUNG:

Vor Beginn jeder Wartung unbeabsichtigtes Anspringen des Motors durch Abziehen des Kerzensteckers [6] verhindern.



### VORSICHT:

- Auspuff und Motor erreichen im Betrieb sehr hohe Temperaturen, die bei Berührung Verbrennungen verursachen und Materialien entflammen können, die mit heißen Rasenmäher teilen in Berührung kommen.
- Daher vor jeder Wartung den Rasenmäher mindestens 15 Minuten abkühlen lassen.

**HINWEIS:** Um eine lange Lebensdauer und sichere Funktion sicherzustellen, muß die Unterseite des Mähers sauber und grasfrei gehalten werden. Bitte benutzen Sie dafür eine Bürste oder einen Spachtel. Nach jeder Benutzung muß der Mäher gründlich gereinigt werden, ehe er eingelagert wird.

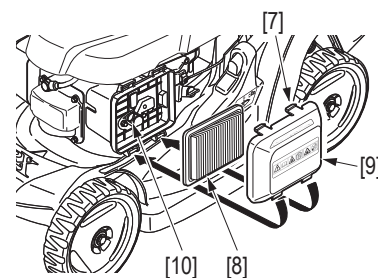
## WARTUNG DES LUFTFILTERS

Ein verschmutzter Luftfilter verringert die Motorleistung durchline zu geringe Luftzufuhr zum Vergaser. Regelmäßige Kontrolle, besonders in staubiger Umgebung ist daher unerlässlich.

## ! WARNUNG:

HONDA- Trocken-luftfilterlinsätze nicht in Benzin reinigen.

1. Die Verriegelung [7] Luftfilterdeckels öffnen und den Deckel [9] abnehmen.
2. Das Luftfilterelement [8] kontrollieren, und bei Beschädigung oder starker Verschmutzung erneuern.
3. Das Luftfilterelement mehrmals ausklopfen bzw mit maximal 2,1 bar Luftdruck von innen (Vergaseite) nach außen (Luftfilterdeckelseite) ausblasen.



**HINWEIS:** Das Filterelement [8] erfüllt seine Funktion nur, wenn es trocken ist. Achten Sie darauf, dass es nicht mit Öl in Berührung kommt.

4. Den Luftfilterdeckel [9] und alle Dichtflächen mit einem feuchten Tuch reinigen.

**HINWEIS:** Darauf achten, daß kein Schmutz in den Vergaser eindringen kann. Sorgfältig alle Teile vor dem Zusammenbau reinigen [10].

5. Das Luftfilterelement [8] und den Deckel [9] wieder montieren.

## MOTORÖLWECHSEL

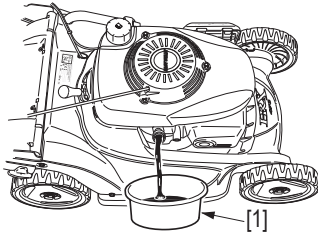
Altes Öl ablassen, solange der Motor noch warm ist. Das geht schneller und gründlicher.



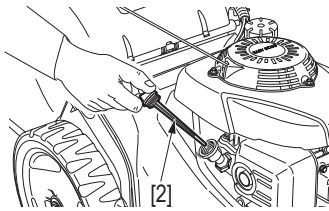
### VORSICHT:

- Waschen Sie sich nach dem Ölwechsel die Hände mit etwas Scheuermittel, Seife und Wasser.

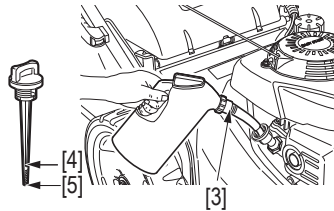
1. Rasenmäher nach rechts kippen.
2. Flache Wanne [1] unter den Öltankverschluß schieben. Und die Mähmaschine auf der geraden Seite umzukippen.



3. Verschluß [2] aufschrauben.
4. Rasenmäher wieder auf alle vier Räder stellen.



5. Etwa 0,6 Liter frisches Öl bis zur oberen Marke [3] des Meßstabs einfüllen [4] (siehe Seite 6).



6. Öltankverschluß zuschrauben.

**HINWEIS:** Gebrauchtes Motoröl niemals einfach wegschütten (Umweltschutz!), sondern in gekennzeichnetem (wasserunlöslicher breiter Filzschreiber), altem Ölkammer sammeln und gelegentlich in einer Autowerkstatt zum Recycling abliefern.

## ZÜNDKERZENWECHSEL

Empfohlene Zündkerzen: NGK - BPR5ES

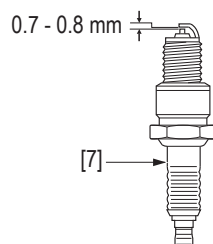
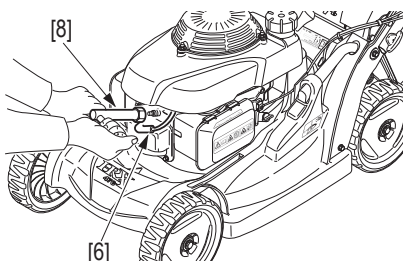
### VORSICHT:

- Nur die vorgeschriebene Kerzentype verwenden! Ungeeignete Kerzen können den Motor beschädigen.

### ! WARNUNG :

Wenn der Motor vor dem Kerzenwechsel bereits gelaufen ist, erst abkühlen lassen: Verbrennungsgefahr an Kerze und Auspuff.

1. Kerzenstecker [6] abziehen und Zündkerze [7] mit dem Kerzenschlüssel [8] durch Linksdrehen (gegen den Uhrzeigersinn) ausschrauben.



2. Kerze sorgfältig prüfen. Braun-schwarze Ablagerungen am Kerzenunterteil mit Metallbürste oder Schmirgelpapier entfernen. Hellen Keramik-Isolator prüfen: falls er Sprünge aufweist, darf die Kerze nicht wieder eingebaut werden.
3. Den Elektrodenabstand mit einer geeigneten Lehre messen. Der Abstand sollte 0,7 ~ 0,8 mm betragen. Den Elektrodenabstand im Bedarfsfall durch vorsichtiges Verbiegen der Außenelektrode nachstellen.
4. Nachsehen ob der Metaldichtring in Ordnung ist, Kerze von Hand wieder einschrauben. Vorsicht, der Zylinderkopf besteht aus Aluminium: beim Einschrauben keine Gewalt anwenden.
5. Gebrauchte Kerze 1/8 bis 1/4 Umdrehung mit Kerzenschlüssel festziehen. Bei neuen Kerzen ist 1/2 bis 1 Umdrehung zum Zusammenpressen der Dichtung nötig.
6. Zündkabel mit Kerzenstecker wieder aufstecken.

### VORSICHT:

- Kerzen müssen richtig angezogen werden. Lassen Sie sich eventuell vom Fachmann helfen. Lose Kerzen werden zu heiß, zu festes Anziehen kann eventuell den Zylinderkopf beschädigen.



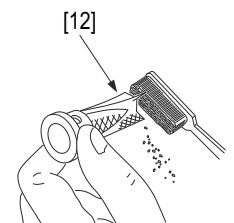
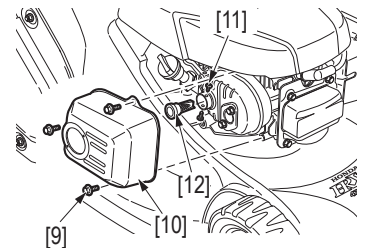
## WARTUNG DES FUNKENFÄNGER (Optionale Teile)

(In Europa und in anderen Ländern, in denen die Maschinenrichtlinie 2006/42/EC gültig ist, sollten Reinigungsarbeiten von Ihrem Servicehändler durchgeführt werden).

### ! WARNUNG :

Nach dem Betrieb den Rasenmäher erst abkühlen lassen; Verbrennungsgefahr am heißen Auspufftopf. In manchen Ländern müssen Rasenmäher mit Funkenfängern versehen sein.

1. Die 3 Befestigungsschrauben [9] des Auspuffschutzes [10] abschrauben und den Schutz abnehmen.
2. Die beiden Befestigungsschrauben [11] des Funkenstutzes [12] vom Auspuff abschrauben.
3. Den Auspuffaustritt und den Funkenfänger von Rußrückständen befreien.
4. Der Funkenfänger muß bei Beschädigung erneuert werden.
5. Den Funkenfänger [12] und den Auspuffschutz [10] in umgekehrter Reihenfolge wieder montieren.



## VERGASEREINSTELLUNG



### VORSICHT:

- Fragen Sie Ihren Honda- Händler falls Sie nicht über die erforderliche Erfahrung oder Ausrüstung verfügen.

**Normale Leerlauf-Drehzahl: 1 700 ± 150 U/min.**

**Betriebsdrehzahl : 2 800 <sup>+ 0</sup> -100 U/min.**

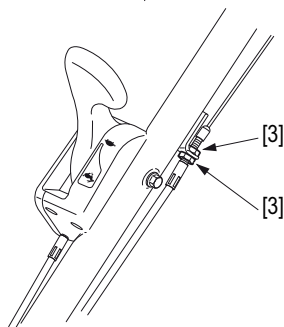
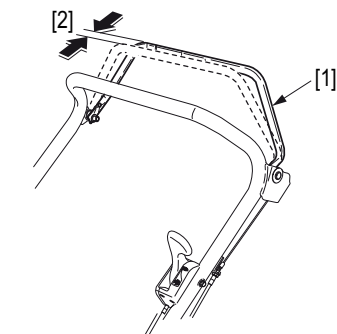
## EINSTELLUNG DES SPIELS VOM BEDIENHEBEL DES MESSERSTOPS

### Typ PKEA

1. Den Motor abstellen und den Zündkerzenstecker abziehen.
2. Den Schwungradbremshebel [1] lösen und sicherstellen, daß beim Anziehen des Zugseils ein starker Widerstand spürbar ist.

### Andern Falls:

3. Das Spiel [2] am Ende des Hebels [1] (max. 30 bis 35 mm).
4. Falls eine Einstellung erforderlich ist, die Sicherungsmuttern [3] lösen und den gewünschten Abstand einstellen. Die Sicherungsmuttern anziehen und den Abstand erneut prüfen.
5. Nach dem Starten des Motors den Hebel der Messerbremse loslassen. Prüfen, ob Motor und Messerdrehung durch Freigabe des Hebels abgestellt werden. Andernfalls ist der Rasenmäher in eine autorisierte Honda Service-Werkstatt zu bringen.

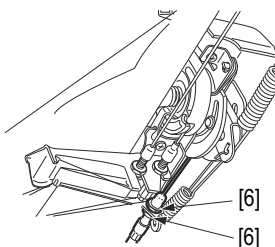
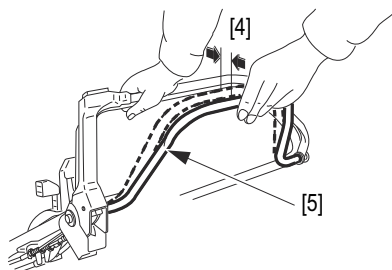


## EINSTELLEN DES FAHRKUPPLUNGSSPIELST

### Typ HYEА:

Spiel [4] an der Oberkante der Hebels [5] messen, wenn dieser völlig entlastet ist.

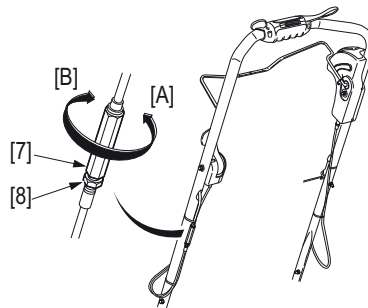
1. Stellen Sie den Gashebel auf die schnellste Stufe und lösen Sie die Konterschrauben [6].
2. Lockern oder spannen Sie das Kabel je nach Bedarf, um ein Spiel von 1 bis 5 mm zu erhalten.
3. Kontermuttern wieder anziehen [6] und Spiel nachprüfen [4].
4. Motor in Gang setzen und kontrollieren, ob die Kupplung richtig funktioniert. Überprüfen, daß sich die Kupplung verpfichtet und sich richtig lockt.



### Typ VYEA:

Bei diesem Vorgang sollen die Räder auf einer ebenen Fläche stehen.

1. Die Kontermutter [8] des Smart Drive Kupplungsseilzugs lockern.
2. Motor anlassen.
3. Den Seilzugregler [7] in Richtung "BEWEGEN" [A] drehen, bis der Rasenmäher sich nach vorn bewegt. Dabei den Smart Drive Hebel nicht einrasten.
4. Den Seilzugregler 1 bis 2 Umdrehungen in Richtung "STOP" [B] drehen.
5. Die Kontermutter des Kupplungsseilzugs festziehen.
6. Den Betrieb des Smart Drive Systems überprüfen.



### Alle Modellen:

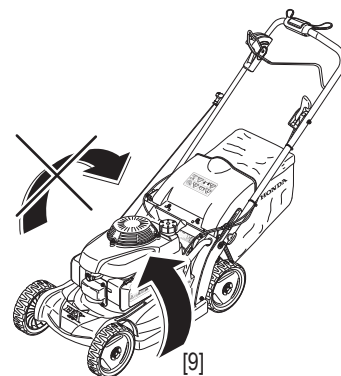
**HINWEIS:** Wenn die Kupplung nicht ordnungsgemäß trennt, obwohl der Seilzug korrekt eingestellt ist, bringen Sie den Rasenmäher zu einem autorisierten Honda- Motorgeräte-Händler.

## AUSWECHSELN DES MESSERS

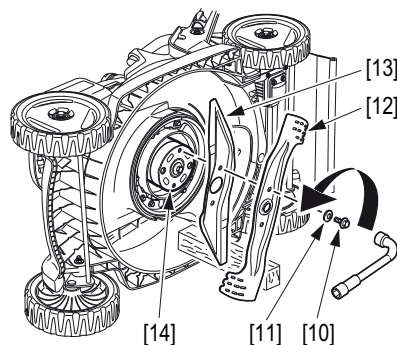


### MESSERAUSBAU

1. Gashebel in STOPP-Stellung bringen (modellen mit Rotostop).
2. Das Treibstoffventil absperrn "OFF". Den Zündkerzenstecker abziehen.
3. Rasenmäher nach rechts kippen, sodaß der Vergaser oben liegt [9].
4. Die beiden Befestigungsschrauben [10] des Schneidmessers und die Spezialunterlegscheiben [11] mit einem 14-mm-Steckschlüssel aus der Messerkupplung [14] herausschrauben.



- Die Schneidmesser mit einem Holzklötz blockieren, damit sie sich beim Herausdrehen der Schrauben nicht bewegen.
5. Beim das obere Mulch-Schneidmesser [13] und das untere Mulch-Schneidmesser [12].



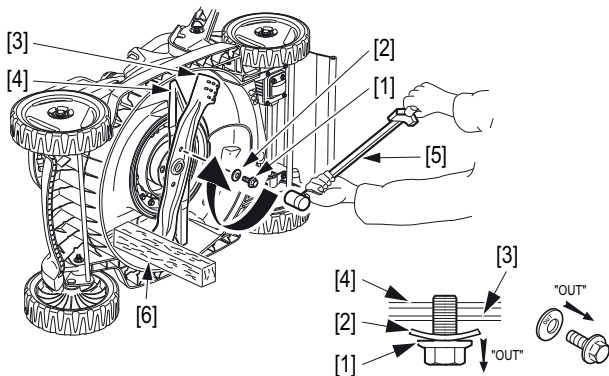
## MESSER-EINBAU

1. Die Antriebswelle von Gras- und Erdresten säubern.
2. Die Schneidmesser [3] [4] mit den zwei Befestigungsschrauben [1] und Spezialunterlegscheiben [2] wie dargestellt anbringen. Die "OUT"-Markierung der Scheiben muß zum Schraubenkopf zeigen.

Die Befestigungsschrauben der Schneidmesser sind speziell für diese Anwendung konzipiert und dürfen nicht durch andere Schrauben ersetzt werden.

3. Die Befestigungsschrauben der Schneidmesser mit einem Drehmomentschlüssel [5] festziehen. Die Schneidmesser mit einem Holzklötzchen blockieren [6], damit sie sich nicht drehen können.

**Anzugsmoment der Schneidmesser-Befestigungsschrauben:**  
49 ~ 59 Nm



### VORSICHT:

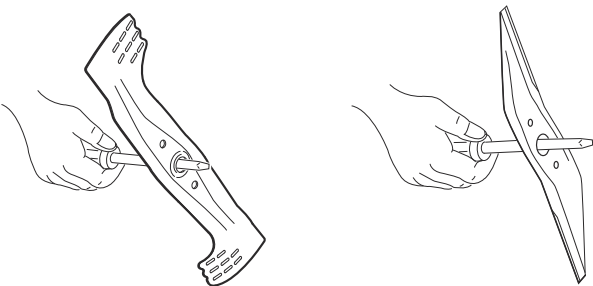
- Wenn kein Drehmomentschlüssel zur Hand ist, lassen Sie die Schrauben bitte von einer Fachwerkstatt anziehen.
- Wenn die Schrauben zu locker angezogen sind können sie sich im Betrieb von selbst lösen. Zu stark angezogene Schrauben können abbrechen.

### ! WARNUNG :

Der Betrieb des Mähers mit nur einem Blatt hat zur Folge, dass das Blatt den Halt verliert und ausgeworfen werden kann. Es besteht schwere Unfall- und Verletzungsgefahr. Es müssen grundsätzlich beide Messer eingesetzt sein.

**HINWEIS:** Nie den Rasenmäher nach links kippen, der folgende Neustart wäre schwierig.

## ERSATZ DER MESSERS



### VORSICHT:

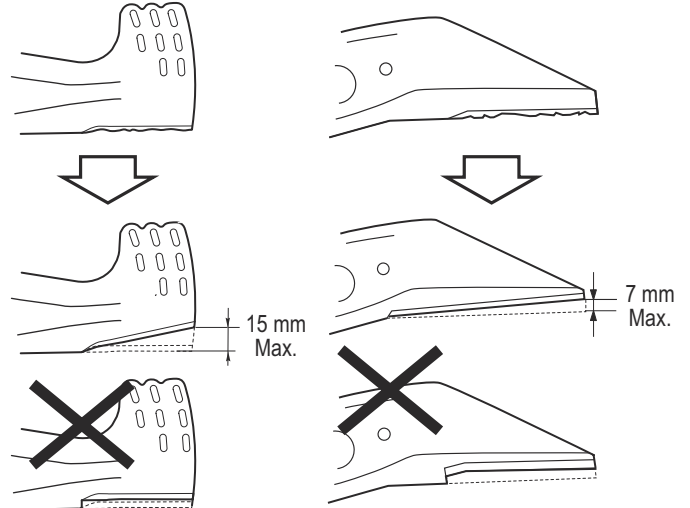
- Die Auswuchtung des Messers ist entscheidend für gute Leistungen des Rasenmähers. Ersetzen Sie alle Messer, die beschädigt sind oder eine Unwucht aufweisen.
- Verwenden Sie nur Original- Honda- Ersatzmesser.

## NACHSCHLEIFEN DES MESSERS

1. Die Schneidkanten des Messers mit einer Feile schärfen. Nur die obere Seite feilen. Den ursprünglichen Schnittwinkel beibehalten, um eine scharfe Schneidkante zu erhalten. Beide Seiten gleichmäßig abfeilen, damit das Messer ausgewuchtet bleibt.
2. Nach dem Schärfen die Auswuchtung des Messers mit einem Schraubendreher wie gezeigt testen. Wenn eine Seite leicht unter die Horizontale sinkt, diese Seite nachfeilen. Das Messer auswechseln, wenn das Ungleichgewicht zu groß ist.

### VORSICHT:

- Die Messer müssen so geschliffen werden, daß an beiden Enden gleich viel Stahl weggeschliffen wird. Ungleiche Massen bewirken Vibrationen im Rasenmäher. Dies würde vorzeitigen Verschleiß der Lager u.s.w. bewirken und das Mähergebnis verschlechtern. Am besten bringen Sie ein stumpfes oder schadhafte Messer zu Ihrer Honda- Fachwerkstatt.



## GRASSACK PFLEGE UND ERNEUERUNG

### SÄUBERN DES SACKS

### VORSICHT:

- Den Sack nie mit Hochdruck, Kalt- oder Heißwasser reinigen, Beschädigungsgefahr.
- Auch bei normalem Betrieb nützt sich der Grassack im Lauf der Zeit ab.
- Deshalb muß er ab und zu auf Löcher und Ausfransen untersucht werden. Abgenutzten Sack nur durch neuen Original Honda Sack ersetzen!



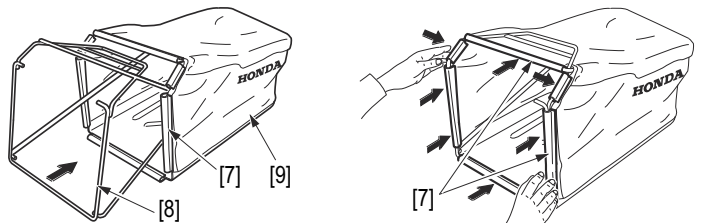
### ! WARNUNG :

Ein Loch im Grassack muß entweder sofort geflickt oder der Grassack erneuert werden. Vom Messer aufgewirbelte Steine, Holzstückchen oder andere harte Gegenstände könnten durch das Loch aus dem Grassack herausfliegen und Verletzungen verursachen.

### ERNEuern DES GRASSACKS

Auch bei normalem Betrieb nützt sich der Grassack im Lauf der Zeit ab. Deshalb muß er ab und zu auf Löcher und Ausfransen untersucht werden. Abgenutzten Sack nur durch neuen Original Honda Sack ersetzen.

1. Plastikklemmen [7] abnehmen und alten Sack [9] vom Rahmen [8] entfernen.
2. Rahmen in den neuen Sack einführen und Klemmen [7] wieder aufpressen.



## WARTUNGSPLAN

Die Wartung muß in folgenden Zeitabständen ausgeführt werden, die in Monaten oder Betriebsstunden angegeben sind und bei denen jeweils das kürze Intervall maßgebend ist.		Häufigkeit				
		Nach jeder Benutzung	Nach 1 Monat oder nach 5 Stunden	Nach 3 Monaten oder nach 25 Stunden	Nach 6 Monaten oder nach 50 Stunden	Alle Jahre oder nach 100 Stunden
Baugruppe	Aktion					
Motoröl	Niveau kontrolle					
	Ölwechsel				(1)	
Luftfilter	Kontrolle					
	Reinigung			(1)		
	Ölwechsel					(1)
Grasfangsack	Reinigung					
Messerschrauben und Messerzustand	Kontrolle					
Zündkerze	Kontrolle					
	Reinigung					
Funkenfänger (Optionale Teile)	Reinigung				(6)	
Seitzug der Messer kupplung (3)	Kontrolle		(2)		(2)	
	Falls nötig anpassen		(2)		(2)	
Bremskabel der Messerbremse (4)	Kontrolle					
	Falls nötig anpassen		(2)		(2)	
Messer kupplung (3)	Kontrolle		(2)		(2)	
Getriebezug (5)	Kontrolle					
Gaz zug	Kontrolle		(2)		(2)	
	Falls nötig anpassen		(2)		(2)	
Ventilspiel	Falls nötig anpassen					(2)
Kraftstofftank und Filter	Reinigung				(2)	
Benzinzu-leitung	Kontrolle (und nötigenfalls wechseln)	Alle zwei Jahre (2)				
Bremsbelag der Schwungradbremse (4)	Kontrolle			(2)		
Antriebsriemen (5)	Kontrolle				(2)	
Mähwerkabdeckung	Reinigung					

- (1) Bei Lagerung an staubigen Orten sind die Intervalle zu verkürzen.
- (2) Diese Teile müssen von einem Honda- Vertragshändler gewartet werden.
- (3) Typen HYEА, VYEА
- (4) Typen PKEА, VKEА
- (5) Typen HYEА, VKEА, VYEА
- (6) In Europa und in anderen Ländern, in denen die Maschinenrichtlinie 2006/42/EC gültig ist, sollten Reinigungsarbeiten von Ihrem Servicehändler durchgeführt werden.

# STÖRUNGSBESEITIGUNG

## MOTOR SPRINGT NICHT AN

Mögliche Ursache	Abhilfe
Treibstoffventil ist OFF (geschlossen).	Treibstoffventil ON (öffnen) (Seite 7).
Gashebel befindet sich in falscher Stellung	Gashebel in die Stellung "SCHNELL" bringen (Seite 7).
Kein Benzin im Tank.	Nachtanken (Seite 4).
Schlechtes Benzin. Rasenmäher wurde ohne Beimengung eines Benzinstabilisators oder ohne Entleeren des Benzins gelagert oder es wurde schlechtes Benzin getankt.	Frisches Benzin nachfüllen (Seite 4).
Zündkerze ist schadhafte oder verrußt oder der Elektrodenabstand ist falsch eingestellt.	Zündkerze reinigen oder austauschen oder Elektrodenabstand einstellen (Seite 10).
Zündkerze ist durch Benzin naß geworden (abgesoffener Motor).	Zündkerze trocknen lassen und wieder einschrauben. Den Motor mit dem Gashebel in der Stellung "SCHNELL" anlassen.
Entlüftungsloch des Kraftstofftanks verstopft, Vergaser verschmutzt oder Zündung fehlerhaft.	Diese Teile müssen von einem Honda-Vertragshändler gewartet werden.
Hebel der Messerbremse wird nicht fest genug gegen den Haltegriff gedrückt (die ausgestatteten Modellen).	Der Hebel der Messerbremse muß gegen den Lenkgriff gehalten werden um das Motor zu starten (Seite 11).

## LEISTUNGSVERLUST

Mögliche Ursache	Abhilfe
Gashebel befindet sich nicht in der Stellung "SCHNELL".	Gashebel in die Stellung "SCHNELL" bringen (Seite 7).
Gras ist zu hoch zum Schneiden.	Schnitthöhe höher einstellen (Seite 5), einen schmälere Mähstreifen schneiden (Seite 9), oder häufiger mähen. Den Richtungsknopf feststellen.
Mähwerkabdeckung ist verstopft.	Mähwerkabdeckung reinigen (Seite 11).
Luftfilter verstopft.	Reinigen Sie den Luftfilter, oder tauschen Sie ihn aus (Seite 9).
Schlechtes Benzin. Rasenmäher wurde ohne Beimengung eines Benzinstabilisators oder Entleeren des Benzins gelagert oder es wurde schlechtes Benzin getankt.	Frisches Benzin nachfüllen (Seite 4).
Entlüftungsloch des Kraftstofftanks verstopft, Vergaser verschmutzt oder Zündung fehlerhaft.	Diese Teile müssen von einem Honda-Vertragshändler gewartet werden.

## PROBLEME BEIM MÄHEN UND BEI VERWENDUNG DES GRASSACKS

Mögliche Ursache	Abhilfe
Motordrehzahl ist zu niedrig zum Schneiden.	Gashebel in die Stellung "SCHNELL" bringen (Seite 7).
Rasenmäher fährt für Rasenbedingungen zu SCHNELL.	Eine niedrigere Geschwindigkeit auswählen (ausgestattete Modelle) oder langsamer schieben.
Grassack ist zu voll oder verstopft.	Grassack ausleeren. Falls Grassack verstopft ist, waschen (Seiten 9 und 12).
Mähwerkabdeckung ist verstopft.	Mähwerkabdeckung reinigen (Seite 11).
Schneidmesser sind stumpf, abgenutzt oder beschädigt.	Schneidmesser nachschleifen oder austauschen (Seite 12).
Die falschen Schneidmesser wurden installiert.	Richtige Schneidmesser installieren (Seite 12).

## VIBRATION

Mögliche Ursache	Abhilfe
Schneidmesser sind lose, verbogen, beschädigt oder durch unsachgemäßes Schleifen unwuchtig.	Lockere Schneidmesser-Befestigungsschraub festziehen. Beschädigte Schneidmesser austauschen (Seite 12).
Mechanischer Defekt, wie beispielsweise verbogene Kurbelwelle.	Diese Teile müssen von einem Honda-Vertragshändler gewartet werden.

# LÄNGERE AUßER-BETRIEBSETZUNG



## LÄNGERE AUßERBETRIEBSETZUNG

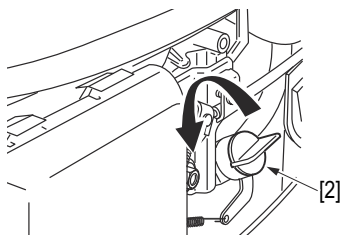
Wenn der Rasenmäher länger als 30 Tage nicht benutzt wird, zum Schutz der Bauteile folgende Wartung durchführen.

### ! WARNUNG :

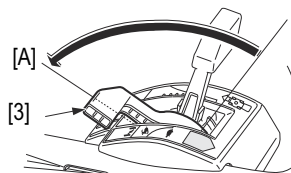
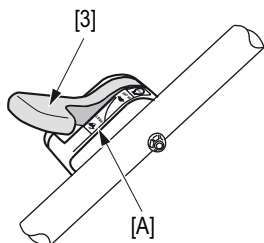
**Benzintank nur entleeren, wenn Motor abgekühlt ist. Brandgefahr.**

1. Den Kraftstoff aus dem Kraftstofftank und aus dem Vergaser in ein geeignetes Gefäß ablassen [1].

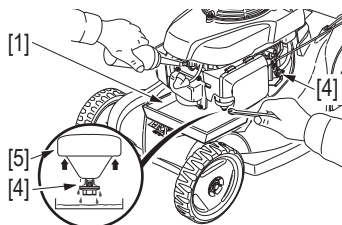
a. Den Kraftstoffhahn öffnen [2].



b. Den Gashebel [3] in die "SCHNELL" [A] Position stellen.



c. Die Ablasschraube an der Schwimmerkammer lösen [4] (max. 1/4 bis 1/2 Umdrehung).



d. Die Schwimmerkammer [5] anheben, um den Kraftstoff abzulassen.

e. Die Ablasschraube wieder festziehen und Kraftstoffhahn schließen [2].



2. Ölwechsel vornehmen (siehe Seite 10).
3. Starterseilzug langsam bis zum starken Widerstand anziehen. Hiermit werden die Zylinderventile geschlossen und vor Staub und Korrosion geschützt.
4. Blanke Metallteile (Messer) leicht ölen. Rasenmäher in trockenem, staubfreien Raum ggf. unter Stoffdecke aufbewahren. Nicht unter Plastikhülle und nicht im Freien lagern: Kondenswasserbildung, Rostgefahr.

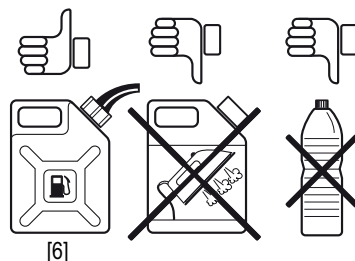
**HINWEIS:** Zur Überwinterung oder zur Lagerung über mehr als 3 Monate Zündkerze ausschrauben und 5 bis 10 cm<sup>3</sup> frisches Motoröl in den Zylinder gießen. Danach ohne eingeschraubte Kerze Startseil langsam 3 mal ziehen, damit sich der Ölfilm verteilt. Kerze einschrauben und anziehen.

## LAGERUNG VON TREIBSTOFF

### HINWEIS:

- Benzin oxidiert während der Lagerung, wodurch die Qualität beeinträchtigt wird. Altes Benzin verursacht Startschwierigkeiten und produziert Gummiablagerungen, die die Benzinleitungen verstopfen. Wenn sich die Qualität in den Motor befindlichen Benzins während der Lagerung verschlechtert, müssen der Vergaser und andere Bestandteile der Treibstoffanlage unter Umständen gewartet oder ausgewechselt werden.

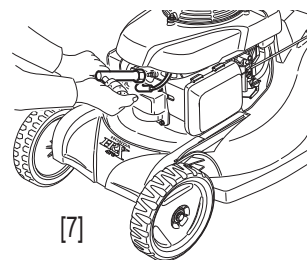
- Benutzen Sie ausschließlich spezielle Treibstoffbehälter oder -kanister [6]. So vermeiden Sie, dass der Treibstoff durch Partikel verunreinigt wird, die sich von den Behälterwänden lösen, so dass der Motor nicht richtig funktioniert.



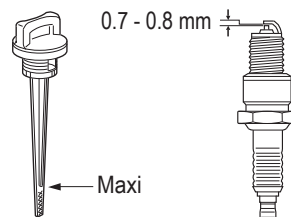
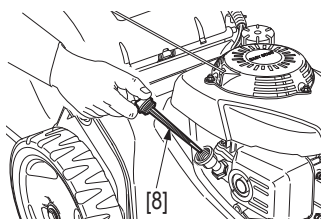
- Den Kraftstoff an einem tageslichtgeschützten Ort und bei gleichmäßiger Temperatur lagern (Gartenhäuschen vermeiden).
- Die Garantie greift nicht, wenn durch die Verwendung alten oder verunreinigten Treibstoffs der Vergaser oder die Ventile verstopfen.
- Die Qualität von bleifreiem Treibstoff verschlechtert sich sehr schnell (manchmal innerhalb von 2 bis 3 Wochen), benutzen Sie Treibstoff deshalb nicht länger als einen Monat. Lagern Sie nur die absolute Mindestmenge, die Sie in einem Monat verbrauchen.

## WIEDERINBETRIEBNAHME NACH DER EINLAGERUNG

1. Die Zündkerze herausdrehen [7], sich vergewissern, daß sie sauber ist und daß der Elektrodenabstand stimmt. Das Anlasserseil mehrmals ziehen.



2. Die Zündkerze so weit wie möglich von Hand einschrauben, dann mit dem Schlüssel noch um 1/8 bis 1/4 Umdrehung festziehen.
3. Den Ölstand im Motor nachprüfen, sich vergewissern, daß das Öl [8] sauber ist.



4. Den Kraftstofftank auffüllen und den Motor anlassen.

**HINWEIS:** Wenn zum Rostschutz Öl in den Zylinder gegeben wurde, raucht der Motor bei Inbetriebnahme einige Minuten lang sehr stark; das ist ganz normal.

# GERÄTETRANSPORT

## TRANSPORT DES RASENMÄHERS



### ! WARNUNG :

Rasenmäher nicht gekippt transportieren. Es könnte Öl oder Benzin auslaufen, Brandgefahr.

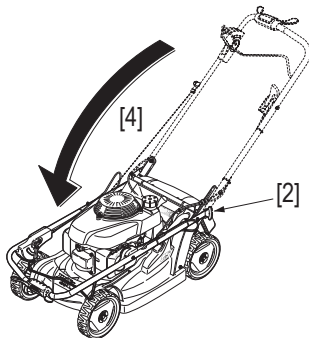
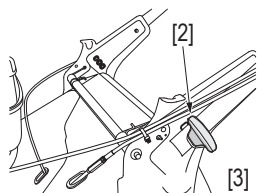
Beim Transport des Rasenmähers:

1. Gashebel in Stellung "STOPP" bringen (Außer typen PKEA, VKEA).
2. Kerzenstecker abziehen.
3. Benzinhahn schließen [1].



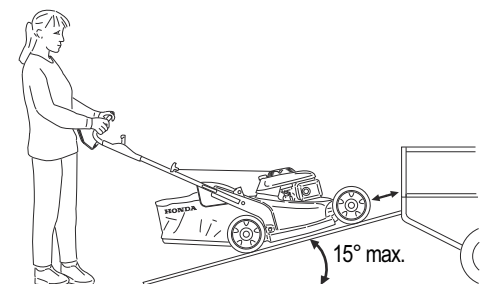
Zum einfacheren Transport:

1. Grassack abnehmen (siehe Seite 12).
2. Die Knöpfe des Faltens/Einstellens des Lenkers [2] um eine Viertelumdrehung auf die entriegelte Position [3] drehen.
3. Den Lenker [4] zusammenklappen.



**HINWEIS:** Beim Umlegen darauf achten, daß keine Bowdenzüge eingeklemmt oder zu stark gedehnt werden.

## EINLADEN DES RASENMÄHERS



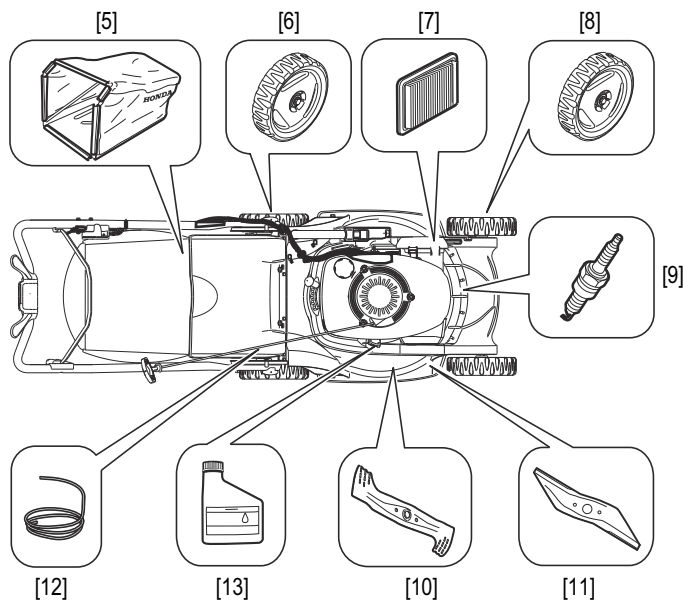
### VORSICHT:

- Auf- und Abladen des Rasenmähers nur bei stehendem Motor und nie mit eigenem Radantrieb (Beschädigung durch Kontrollverlust über das Gerät).
- Beim Rückwärtsrollen des Rasenmähers Fahrkupplung nicht einlegen (Beschädigungsgefahr des Radantriebs).
- Rasenmäher nur horizontal und auf allen vier Rädern stehend transportieren.
- Laderampe benutzen oder Helfer zum Einladen herbeiholen.
- Neigung der Laderampe nicht größer als 15°.
- Nach dem Einladen Keile unter die Räder schieben und Rasenmäher mit Transportgurten gegen Verrutschen sichern.
- Die Transportgurte dürfen folgende Teile des Rasenmähers nicht berühren: Gashebel, Messerkupplungsbügel, Benzintank, Bowdenzüge.

# NÜTZLICHE INFORMATIONEN

## WIE FINDE ICH EINEN AUTORISIERTEN FACHHÄNDLER

Besuchen Sie unsere europäische Internetseite:  
<http://www.honda-eu.com>



## STANDARDTEILE, SONDERAUSSTATTUNG UND VERBRAUCHSZUBEHÖR

Wenden Sie sich an einen autorisierten Honda- Fachhändler, um eines der Originalteile auf untenstehender Liste oder andere.

HRX476C			
Teile zu erwerben			
[5]	Grassack	81320-VK8-J50	Grassack ohne Gestell
[6]	Hinterrad	42710-VK8-J50ZA	
[7]	Luftfilter	17211-ZL8-023	Filterpapier
[8]	Vorderrad	44710-VK8-J50ZA	
[9]	Zündkerze	98079-55846	NGK (Mark):/ BPR5ES (modell)
[10]	Standard-Schneidmesser	72511-VK8-J50	Drehmomentschlüssel notwendig
[11]		72531-VK8-J50	
[12]	Seilzugstarter	28462-ZL8-631	Wird von Ihrem Honda-Fachhändler ersetzt
Verbrauchszubehör			
[13]	Motoröl	08221-888-061HE SAE 10W30, 0,6 l	Öl für 4 Takt-Motoren

### ! WARNUNG :

Für Ihre Sicherheit ist es ausdrücklich verboten, jedes anderes Zubehörteil zu heben, als diejenigen spezifisch, was für Ihr Modell konzipiert und Typ von Rasenmäher, oben aufgelistet sind.



# TECHNISCHE DATEN

MODELL		HRX476C			
TYPEN		PKEA	VKEA	VYEA	HVEA
<b>ALLGEMEINE DATEN</b>					
Typenbezeichnung		MASF			
Funktion		Gras schneiden			
Abmessungen L x B x H		mm	1 600 x 530 x 1 010	1 545 x 530 x 960	1 610 x 530 x 1 035
Leergewicht		kg	36	39	42
Spurweite Vorn/Hinten		mm	430 / 453		
Schnittbreite		mm	470		
Schnitthöhenverstellung		mm	7 Stufen (25 - 79 mm)		
Durchmesser der Vorderräder/ Hinterräder		mm	212 / 212		
Grassack Volumen		ℓ	69		
Schalldruckpegel am Benienrohr (nach Richtlinien EN 836: 1997 + A4: 2011)		dB(A)	81,5		
Messunsicherheit		dB(A)	1		
Gemessener Schalleistungspegel (nach Richtlinien 2000/14/EC, 2005/88/EC)		dB(A)	94		
Messunsicherheit		dB(A)	1		
Schalleistungspegel Gewähr (nach Richtlinien 2000/14/EC, 2005/88/EC)		dB(A)	95		
Schwingungsprüfung (mit Richtlinien EN 836: 1997 + A4: 2011, EN12096-D: 1997) (**)		m/s <sup>2</sup>	2,8		
Messunsicherheit		m/s <sup>2</sup>	0,9		
<b>MOTORDATEN</b>					
Modell		GCV160A			
Bauart		4-Takt Einzylindermotor mit vertikaler Kurbelwelle Luftgekühlt			
Motorhubraum		cm <sup>3</sup>	160		
Zylinderbohrung x Hub		64 x 50			
Kühlung		Zwangsbelüftung			
Schmierung		Spritz schmierung			
Verdichtung		8,5 : 1			
Nettoleistung (*)		kW/U/min.	3,3 / 3 600		
Nennleistung		kW/U/min.	2,7 / 2 800		
Betriebsdrehzahl		U/min.	2 800 <sup>+0</sup> <sub>-100</sub>		
Leelaufdrehzahl		U/min.	1 700 ± 150		
Zündung		Transistor-Magnetzündung			
Zündkerze		NGK : BPR5ES			
Elektrodenabstand		mm	0,7 bis 0,8		
Luftfilter		Trockenelement			
Benzinempfehlung		Bleifrei 95 - 98			
Tankinhalt		ℓ	0,91		
Verbrauch		ℓ/h	1,1		
Betriebsstunden (*)		h	0,8		
Ölempfehlung		SAE 10W30			
Motorölmenge		ℓ	0,5		
<b>RADANTRIEB</b>					
Typ		-	Kegelkupplung		Hydrostatisch
Radantrieb Über		-	V-Antriebsriemen		
Getriebe		-	Zahnradantrieb		
Anzahl der Gäng		-	Kontinuierliche Veränderung		
Fahrgeschwindigkeit		m/s	0 ~ 1,4		
Schmierung		-	Ölbad und Spritzschmierung		
Radantriebsöl		-	SAE 10W30 API Grad SL / SJ		Honda HST
Ölmengeradantrieb		cm <sup>3</sup>	-	150	140

(\*) Bei der im vorliegenden Dokument genannten Motor-Nennleistung handelt es sich um die bei der Prüfung eines Motors aus der Fertigung abgegebene Nutzleistung des Motormodells GCV160A, die gemäß SAE J1349 bei 3 600 U/min (Nettoleistung). Motoren der Serienfertigung können von diesem Wert abweichen. Die tatsächlich von dem im endgültigen Gerät eingebauten Motor abgegebene Leistung hängt von zahlreichen Faktoren ab, wie der Einsatzdrehzahl des Motors, den Umgebungsbedingungen, der Instandhaltung und anderem.

(\*\*) Werte beziehen sich auf Mäher mit Grasfangsack, die auf Fangen eingestellt sind.



# INTRODUZIONE

Gentilissima Signora, Egregio Signore,  
Avete acquistato un rasaerba Honda e vi ringraziamo per la vostra fiducia.

Il presente manuale è stato redatto per permettervi di familiarizzarvi con il vostro rasaerba in modo da utilizzarlo nelle migliori condizioni e assicurarne la perfetta manutenzione.

Desiderosi di farvi approfittare al massimo delle nuove attrezzature o materiali, nonché della nostra esperienza, i nostri modelli vengono regolarmente migliorati e perfezionati. Pertanto, le caratteristiche e le informazioni contenute nel presente manuale potranno subire variazioni senza obbligo di preavviso e di aggiornamento.

In caso di problemi, o comunque per ogni informazione relativa al rasaerba, vogliate rivolgervi al vostro concessionario o ad un rivenditore Honda autorizzato.

Conservate il presente manuale a portata di mano in modo da poterlo consultare in qualsiasi momento. In caso di rivendita del rasaerba, non dimenticate di consegnarlo all'acquirente.

Vi raccomandiamo di leggere il libretto di garanzia per prendere debita conoscenza dei vostri diritti e responsabilità. Il libretto di garanzia è un documento a parte fornito dal vostro concessionario. E' vietata ogni riproduzione, anche parziale, del presente manuale senza preventiva autorizzazione scritta del costruttore.

## NORME DI SICUREZZA

A garanzia della sicurezza personale e del comfort di utilizzo, si raccomanda vivamente di leggere per intero il presente manuale. Prestare attenzione ai seguenti simboli ed al lor significato :

### ⚠ ATTENZIONE :

**Messa in guardia contro rischi di gravi infortuni o di morte in caso d'inosservanza delle istruzioni.**

### PRECAUZIONI:

• *Messa in guardia contro eventuali rischi d'infortuni o di danneggiamento dei materiali in caso d'inosservanza delle istruzioni.*

**NOTA:** Informazioni o chiarimenti utili.

## DESCRIZIONE DEI CODICI UTILIZZATI NEL PRESENTE MANUALE

HRX476C	H Y E A	P K E A	V K E A	V Y E A
Semoventi con trasmissione idrostatico . . . . .	•			
Non semoventi . . . . .		•		
Semovente con trasmissione a velocità variabile . . . . .			•	•
Freno di lama . . . . .		•	•	
Rotostop . . . . .	•			•

Il modello della macchina è riportato sull'etichetta di identificazione ed è composto da una serie di lettere e di cifre (vedi pagina 3).

✍ \_\_\_\_\_  
Inserire qui il numero di serie della macchina

\_\_\_\_\_

\_\_\_\_\_

Inserire qui il modello della macchina

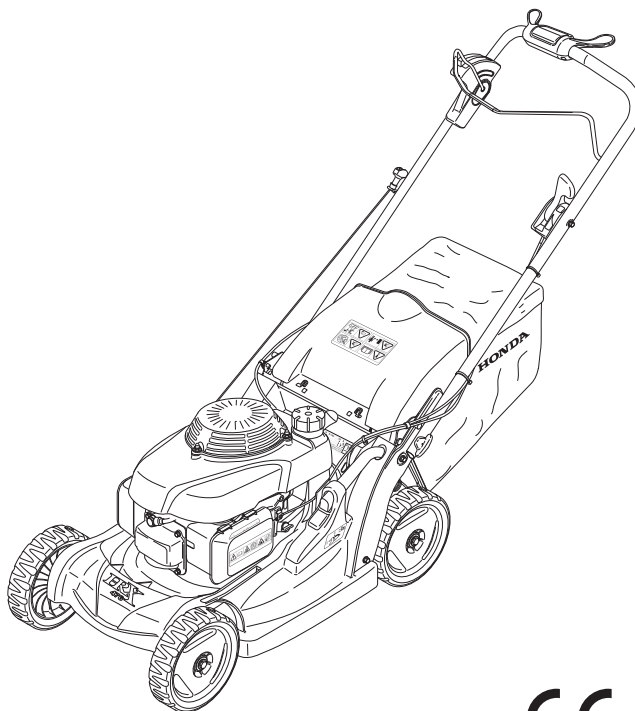
**HONDA**  
POWER EQUIPMENT

## MANUALE D'USO

Istruzioni originali

# HRX476C

## Rasaerbos



ITALIANO

## INDICE

Introduzione . . . . .	1
Norme di sicurezza . . . . .	2
Etichette di sicurezza . . . . .	3
Identificazione della macchina . . . . .	3
Descrizione generale . . . . .	3
Riparazioni e verifiche prima dell'uso . . . . .	4
Selezione della modalità di tosatura . . . . .	6
Avviamento e arresto del motore . . . . .	7
Consigli per l'uso . . . . .	7
Manutenzione . . . . .	9
Individuazione dei guasti . . . . .	13
Custodia . . . . .	14
Trasporto . . . . .	15
Le informazioni utili . . . . .	15
Specifiche tecniche . . . . .	16
Elenco dei maggiori distributori Honda in Europa . . . . .	17
"Dichiarazione di conformità CE" -	
DESCRIZIONE DEI CONTENUTI . . . . .	18

# NORME DI SICUREZZA

A garanzia della sicurezza personale e del comfort di utilizzo, si raccomanda vivamente di leggere per intero il presente manuale. Prestare attenzione ai seguenti simboli ed al loro significato :

## ATTENZIONE :

**Messa in guardia contro rischi di gravi infortuni o di morte in caso d'inosservanza delle istruzioni.**

### **PRECAUZIONI:**

- *Messa in guardia contro eventuali rischi d'infortuni o di danneggiamento dei materiali in caso d'inosservanza delle istruzioni.*

**NOTA:** Informazioni o chiarimenti utili.



Questo segno vi invita alla prudenza durante certe operazioni. Riportarsi alle consegne di sicurezza delle pagine seguenti, al (ai) punto (i) indicato (i) nel quadrato.

### **ISTRUZIONI**

- A1.** Leggere attentamente le istruzioni del presente manuale. Prima di utilizzare la rasaerba, prendere familiarità con l'uso corretto e con i comandi. Imparare ad arrestare rapidamente il motore.
- A2.** Utilizzare la rasaerba unicamente per l'uso a cui è destinata, sarebbe a dire per la tosatura e la raccolta dell'erba del prato. Qualsiasi altro utilizzo potrebbe risultare pericoloso o danneggiare la macchina.
- A3.** Non permettere mai l'uso della rasaerba a bambini o a persone che non hanno familiarità con le istruzioni. Può esistere una normativa locale che fissa un'età limite per l'utente.
- A4.** Non utilizzare la rasaerba quando:
  - Nelle vicinanze ci sono persone, soprattutto bambini, o animali.
  - L'utente ha ingerito farmaci o sostanze che possono nuocere alla sua capacità di riflesso e di controllo.
- A5.** Non dimenticare che il proprietario o l'utente sono responsabili di eventuali incidenti o rischi a danno di terze persone o dei loro beni.

### **PREPARAZIONE**

- B1.** Indossare sempre scarpe resistenti e pantaloni lunghi durante la tosatura. Non usare la macchina se si è a piedi nudi o se si calzano sandali.
- B2.** Ispezionare minuziosamente la zona da rasare per eliminare qualsiasi oggetto estraneo che potrebbe essere schizzato via dalla macchina (pietre, pezzi di legno, fili di ferro, ossi, ecc.).
- B3. ATTENZIONE: PERICOLO !** La benzina è una sostanza altamente infiammabile.
  - Conservare il carburante in appositi recipienti.
  - Fare il pieno di benzina rigorosamente all'aperto, prima di avviare il motore, e fare attenzione a non fumare durante questa operazione o mentre si maneggia il carburante.
  - Non togliere mai il tappo del serbatoio del carburante, né fare il pieno quando il motore è in funzione o è ancora caldo.
  - Non avviare il motore se si è rovesciata della benzina: allontanare la rasaerba dalla zona in cui si è rovesciato il carburante e fare attenzione a non provocare combustioni finché il carburante non è evaporato e i vapori non si sono dissolti.
  - Chiudere bene il serbatoio e il recipiente stringendo opportunamente i tappi.
  - Prima di capovolgere il tosaerba per eseguire la manutenzione della lama o per vuotare l'olio, eliminare il carburante dal serbatoio.
- B4.** Sostituire i silenziatori del tubo di scarico se difettosi.
- B5.** Prima di qualsiasi utilizzo, procedere sempre a una verifica generale, in particolare controllare l'aspetto delle lame, dei bulloni di fissaggio e del gruppo di taglio per assicurarsi che non siano consumati o danneggiati. Per mantenere un equilibrio perfetto, sostituire i pezzi danneggiati o consumati con set completi.

### **UTILIZZO**

- C1.** Non far funzionare il motore in un luogo chiuso in cui i vapori tossici di monossido di carbonio possono accumularsi.
- C2.** Tosare esclusivamente alla luce del giorno o con l'ausilio di una luce artificiale di buona qualità.
- C3.** Per quanto possibile, evitare di rasare erba bagnata.

- C4.** Durante il lavoro, tenere la distanza di sicurezza rispetto alla lama, che è data dalla lunghezza del manubrio.
- C5.** Non correre ma camminare. Non lasciarsi tirare dalla rasaerba.
- C6.** Se il prato è in pendenza, fare attenzione a dove si mettono i piedi. Tosare i prati in pendenza in senso trasversale, mai salendo o scendendo.
- C7.** Essere particolarmente prudenti durante i cambiamenti di direzione sui terreni in pendenza.
- C8.** Non tosare prati con pendenza superiore al 20°.
- C9.** Fare molta attenzione quando si tira la macchina verso di sé.
- C10.** Arrestare la lama se la rasaerba deve essere inclinata per il trasporto e negli spostamenti da una superficie all'altra da tosare.
- C11.** Non utilizzare mai la rasaerba se le protezioni o i carter sono danneggiati, o in mancanza di dispositivi di sicurezza come il deflettore o la sacco di raccolta.
- C12.** Non modificare mai la registrazione del regolatore del motore, né far girare il motore oltre il regime normale.
- C13.** Prima di avviare il motore, disinnestare la lama (modelli dotati di Rotostop) e la frizione di avanzamento (modelli semoventi).
- C14.** Avviare il motore con cautela, seguendo le istruzioni per l'uso e tenendo i piedi lontani dalla lama.
- C15.** Prima l'avviamento, non inclinare la rasaerba. Effettuare la messa in moto su una superficie piana, priva di qualsiasi ostacolo e di erba alta.
- C16.** Tenere mani e piedi lontani dai componenti rotanti. Stare sempre lontano dalla bocca di espulsione.
- C17.** Non trasportare o sollevare mai la rasaerba quando il motore è in funzione.
- C18.** Arrestare il motore e disinserire il filo della candela nei seguenti casi:
  - Prima di qualsiasi intervento sotto il carter del gruppo di taglio o nel tunnel di espulsione.
  - Prima di procedere a qualsiasi operazione di pulizia, controllo o riparazione della rasaerba.
  - Dopo aver urtato contro un oggetto estraneo. In questo caso ispezionare la rasaerba per controllare se ha subito danni. Prima di riutilizzare la macchina, effettuare le riparazioni necessarie.
  - Se la rasaerba comincia a vibrare in modo anomalo, ricercare immediatamente la causa delle vibrazioni e porvi rimedio.
- C19.** Arrestare il motore nei seguenti casi:
  - Ogni volta che la rasaerba deve essere lasciata incustodita. Per i modelli dotati del sistema di avviamento elettrico, togliere la chiavetta di accensione.
  - Prima di fare il pieno di carburante.
- C20.** Arrestare il motore nei seguenti casi (modelli dotati di Rotostop):
  - Al momento del montaggio e dello smontaggio del sacco di raccolta.
  - Prima di regolare l'altezza di taglio.
- C21.** Togliere gas prima di arrestare il motore. Chiudere il rubinetto di alimentazione benzina.
- C22.** L'utilizzo di accessori diversi da quelli raccomandati in questo manuale può provocare danni al rasaerba e questi danni non sono coperti dalla garanzia.

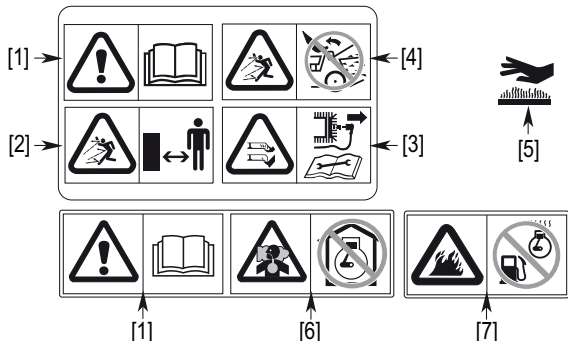
### **MANUTENZIONE E STOCCAGGIO**

- D1.** Per garantire condizioni di utilizzo sicure, controllare che dadi e viti siano sempre serrati. Una manutenzione costante è fondamentale ai fini della sicurezza e del livello di rendimento.
- D2.** Non lasciare mai la rasaerba con del carburante residuo nel serbatoio in un locale in cui i vapori della benzina potrebbero raggiungere una fiamma, una scintilla o una potente fonte di calore.
- D3.** Lasciar raffreddare il motore prima di sistemare la rasaerba in qualsiasi locale.
- D4.** Per ridurre i rischi di incendio, rimuovere eventuali foglie, fili d'erba e accumuli di grasso in particolare dal motore, dalla marmitta di scarico, dal compartimento della batteria e dalla zona di stoccaggio del carburante. Non lasciare contenitori di resti vegetali all'interno o nelle vicinanze di un locale.
- D5.** Se il serbatoio del carburante deve essere vuotato, eseguire tale operazione all'esterno e a motore freddo.
- D6.** Controllare spesso che l'attrezzatura di raccolta dell'erba non presenti tracce di usura o di deterioramento.
- D7.** Non utilizzare la macchina se alcuni dei suoi pezzi dovessero essere danneggiati o consumati. In tal caso i pezzi devono essere sostituiti, non riparati. Utilizzare soltanto pezzi originali Honda. Le lame devono sempre recare il marchio Honda come pure il numero di matricola. Pezzi di qualità differente possono danneggiare la macchina e nuocere alla sicurezza dell'utente.
- D8.** Indossare guanti spessi durante la rimozione o l'installazione della lama o durante la pulizia del carter coprilama. Per il serraggio o l'allentamento della lama, impiegare uno spessore di legno per evitare la rotazione bloccandola.
- D9.** Durante l'operazione di affilatura della lama, fare attenzione a mantenerne l'equilibratura.

# ETICHETTE DI SICUREZZA

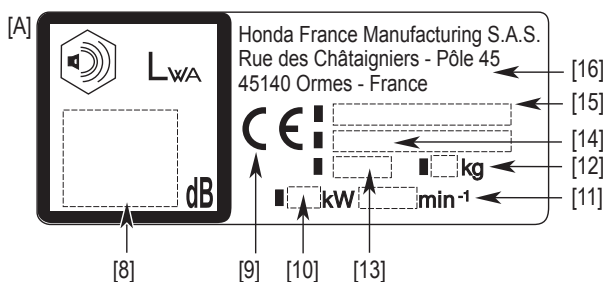
Il vostro rasaerba deve essere utilizzato con attenzione. Quindi, sulla macchina sono state posizionate delle etichette, in maniera da ricordarvi le precauzioni per l'uso principale grazie a dei pittogrammi. Il loro significato viene qui di seguito spiegato. Queste etichette sono considerate come parti della macchina. Se una di esse dovesse staccarsi o diventare illeggibile, contattare il vostro concessionario Honda per la sua sostituzione.

Vi raccomandiamo inoltre di leggere attentamente le norme di sicurezza riportate a (vedi pagina 2).



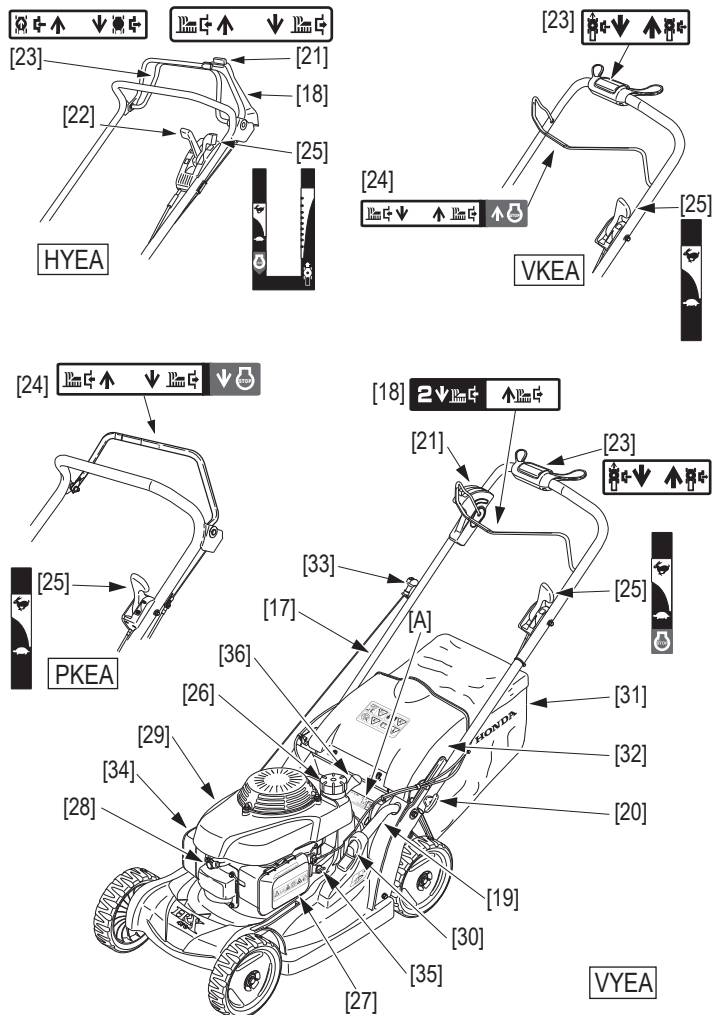
- [1] **ATTENZIONE:** Leggere il libretto di uso e manutenzione prima di usare la macchina.
- [2] Rischio di proiezioni. Tenere lontano terze persone dall' area durante l'uso.
- [3] Rischio di tagli. Lama rotanti: Non mettere mani o piedi all'interno dell'alloggiamento lama. Scollegare il cappuccio della candela prima di effettuare qualsiasi intervento di manutenzione o riparazione.
- [4] Non utilizzare senza deflettore o sacco raccogliherba.
- [5] Durante il funzionamento, il silenziatore diventa molto caldo e lo rimane per un certo tempo anche dopo l'arresto del motore.
- [6] Il motore rilascia monossido di carbonio che è un gas tossico velenoso. Non azionare in un luogo chiuso.
- [7] La benzina è estremamente infiammabile ed esplosiva. Spegnerne il motore e lasciarlo raffreddare prima di effettuare il rifornimento.

# IDENTIFICAZIONE DELLA MACCHINA



- [8] Livello di potenza acustica
- [9] Marcatura CE
- [10] Potenza nominale in chilowatt
- [11] Velocità di funzionamento del motore in giri al minuto
- [12] Massa in chilogrammi
- [13] Anno di produzione
- [14] Numero di serie
- [15] Modello - Tipo
- [16] Nome e indirizzo del costruttore

# DESCRIZIONE GENERALE

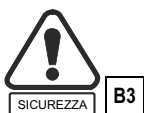


## IDENTIFICAZIONE DEGLI ELEMENTI

COMANDI	FUNZIONI
[17] Manubrio	
[18] Leva d'accensione della lama (Rotostop) (*)	Avvia e frena la rotazione della lama
[19] Leva di regolazione dell'altezza di taglio	Seleziona l'altezza di taglio desiderata
[20] Pulsante di piegatura / Regolazione del manubrio	Permette di regolazione l'altezza del manubrio o di piegarlo
[21] Pulsante di rilascio della leva della frizione della lama (*)	Abilita la leva d'innesto lama
[22] Leva variazione de velocità (*)	Regolare la velocità massima di avanzamento
[23] Leva d'innesto dell'avanzamento (*)	Controlla la trasmissione che trascina le ruote posteriori
[24] Leva freno della lama (*)	Arresta la rotazione della lama e il motore / Autorizza la messa in moto / Autorizza la messa in moto
[25] Manetta dell'acceleratore	Regola il regime del motore
[26] Serbatoio benzina	
[27] Filtro dell'aria	
[28] Candela d'accensione	
[29] Serbatoio olio motore	
[30] Manopola di sbloccaggio della leva di altezza di taglio	
[31] Sacco raccogliherba	Raccoglie l'erba tagliata
[32] Protettore anti-scarica	Protegge dal lancio di sassi
[33] Autoavvolgente	Permette di avviare il motore
[34] Tubo di scarico	
[35] Robinetto di alimentazione benzina	Chiude / apre il circuito benzina
[36] Controllo di mulching variabile	Controlla il flusso dell'erba espulsa

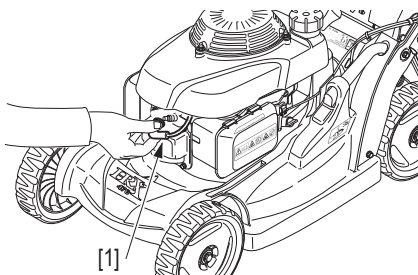
(\*) Per modelli che ne sono dotati

# RIPARAZIONI E VERIFICHE PRIMA DELL'USO



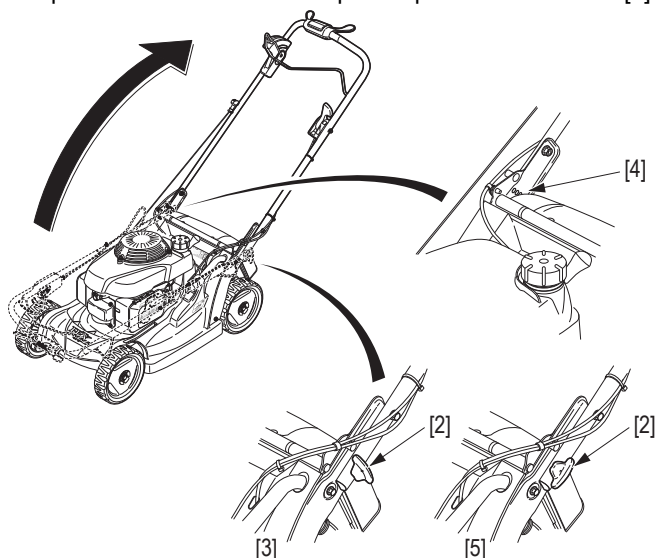
## ATTENZIONE :

Prima di eseguire questa serie di verifiche, predisporre il rasaerba su un terreno stabile e orizzontale, con il motore fermo e il cappuccio della candela di accensione disinserito [1].



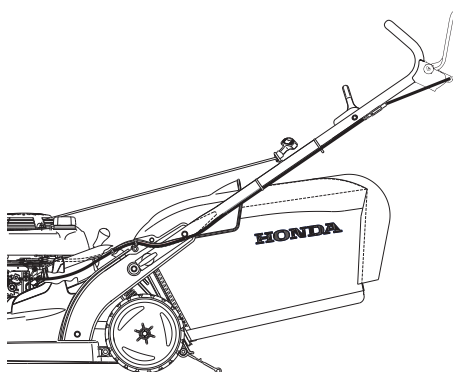
## MONTAGGIO DELLA MANIGLIA

1. Ruotare le manopole di piegatura/regolazione del manubrio [2] di quarto di giro in posizione di sblocco [3].
2. Estendere il manubrio in modo che gli assi delle manopole di piegatura siano allineate con i fori superiori, intermedi o inferiori [4], a seconda dell'altezza del manubrio desiderata.
3. Disporre nuovamente le manopole in posizione di blocco [5].



Controllare che i collari stringicavo sul manubrio siano collocati correttamente.

Per montare il sacco raccogliherba fare riferimento alla pagina 12.



## VERIFICA DEL SACCO DI RACCOLTA

### ATTENZIONE :

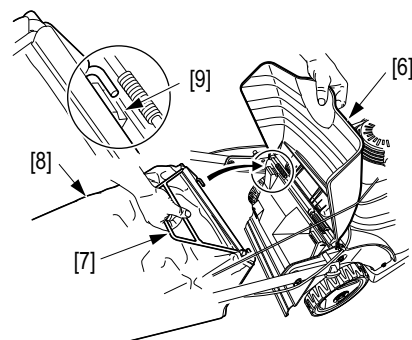
Prima dell'uso, accertarsi che il dispositivo di chiusura del sacco sia correttamente bloccato (protettore di scarico).

Ricordarsi che il sacco di raccolta tende ad usurarsi anche in condizioni d'impiego normali. Pertanto, verificare regolarmente che non sia sfilacciato o strappato. Un sacco usurato deve assolutamente essere sostituito. La sostituzione dovrà essere effettuata esclusivamente con un sacco Honda nuovo.



## Stacco del sacco:

1. Fermare il motore.
2. Sollevare il protettore di scarico [6], afferrare l'impugnatura [7] e rimuovere il sacco [8] mantenendolo in posizione verticale.



## Riattacco:

1. Sollevare il protettore di scarico e agganciare la parte anteriore del sacco sui naselli di fissaggio [9] del rasaerba.

**NOTA:** Il rasaerba funziona come un aspirapolvere; esso aspira aria nel sacco per aspirare i fili d'erba. Svuotare sempre il sacco dell'erba prima che si riempia completamente. La funzione di riempimento perde di efficienza dopo che il sacco raccogli-erba è pieno oltre il 90 %. Inoltre il sacco raccogli-erba è più facile da svuotare quando non è riempito completamente.

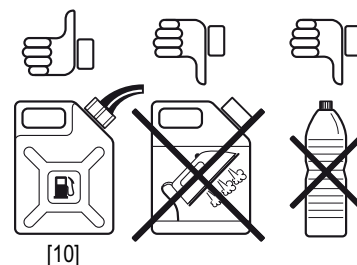
## CONTROLLO DEL LIVELLO CARBURANTE

### ATTENZIONE :

Non riempire mai fino al bordo il serbatoio della benzina (La benzina non dovrà mai arrivare nel bocchettone di riempimento). Ultimato il riempimento, accertarsi che il tappo del serbatoio sia correttamente avvitato a fondo. Evitare ogni contatto ripetuto o prolungato della benzina con la pelle, nonché ogni inalazione di vapori di benzina. Non lasciare mai la benzina a portata dei bambini.

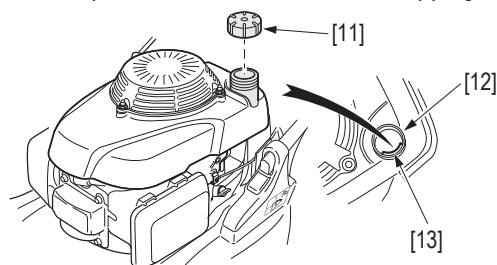
### PRECAUZIONI:

- Avere cura di utilizzare dei contenitori o delle taniche intesi specificatamente per gli idrocarburi [10].
- Non utilizzare mai miscele olio/benzina.
- Usare solo benzina senza piombo 95 o 98.
- Avere cura di non lasciar penetrare corpi estranei nel serbatoio.
- Non utilizzare carburante contaminato (acqua, polvere...) o troppo vecchio. La benzina senza piombo col tempo si deteriora. Non conservare il carburante per più di un mese (vedi pagina 14).



## Per verificare il livello della benzina:

1. Svitare il tappo [11] e controllare il livello della benzina.
2. Rabboccare [12] il serbatoio se il livello è troppo basso. Il livello massimo è raggiunto quando la benzina si trova all'altezza della linguetta [13].
3. Ultimato il riempimento, riavvitare a fondo il tappo [11].



**NOTA:** Si raccomanda di utilizzare solo benzina, ad esclusione di qualsiasi altro prodotto di sostituzione, in quanto potrebbe nuocere all'integrità dei componenti del circuito del carburante.

## BENZINA CONTENENTE ALCOOL

Se si desidera utilizzare benzina contenente alcool, accertarsi che il suo numero di ottano sia almeno uguale o superiore a quello raccomandato dalla Honda (86). Esistono due tipi di miscele benzina/alcool: uno contenente alcool etilico e l'altro contenente alcool metilico.

Non utilizzare mai miscele contenenti più del 10 % di alcool etilico, né benzina contenente alcool metilico (metile o alcool di legno) che sia sprovvista di solventi o inibitori di corrosione per alcool metilico. Nel caso di miscela contenente alcool metilico con additivazione di solventi e inibitori di corrosione, limitare la proporzione di alcool metilico al 5 %.

**NOTA:** La garanzia non copre i danni causati al circuito del carburante o i problemi relativi alle prestazioni del motore che risultino dall'impiego di benzina contenente alcool. La Honda non può in nessun caso approvare l'impiego di carburanti contenenti alcool metilico la cui adeguatezza non sia ancora stata comprovata.

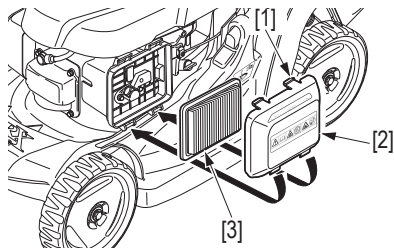
## VERIFICA DEL FILTRO DELL'ARIA

### PRECAUZIONI:

- Non fare mai funzionare il motore senza il filtro dell'aria in quanto ne potrebbe risultare un'usura prematura dello stesso.

Per verificare le condizioni del filtro dell'aria:

1. Premere le linguette posizionate [1] sulla parte alta del coperchio filtro aria e togliere il coperchio [2].
2. Verificare le condizioni dell'elemento filtro [3], se l'elemento è sporco seguire le procedure di pulizia (vedi capitolo "Manutenzione" pagina 9).
3. Rimontare il filtro [3] e il coperchio filtro aria [2].



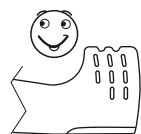
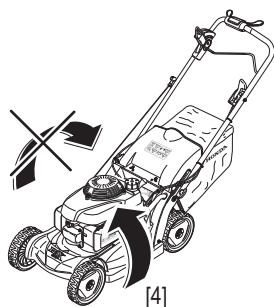
## VERIFICA DELLO STATO DELLA LAMA

### PRECAUZIONI:

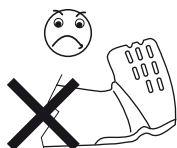
- Non inclinare il rasaerba con il carburatore rivolto verso il basso, in quanto l'olio motore ostruirebbe il filtro dell'aria rendendo difficoltosa la rimessa in moto del motore.

Per verificare lo stato della lama:

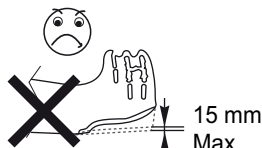
1. Fermare il motore.
  2. Disinserire il cappuccio della candela di accensione.
  3. Inclinare il rasaerba sul lato destro in modo che il tappo di riempimento del carburante sia rivolto verso l'alto [4].
- Verificare se la lama presenta segni di usura. A titolo indicativo, è necessario sostituire la lama quando i denti si sono consumati, o quando appare una fessura.



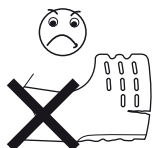
IN NORMALI CONDIZIONI



SVERGOLATA



ECESSIVAMENTE USURATA



INCRINATA

- Verificare il serraggio delle viti della lama (vedi capitolo "Manutenzione" pagina 9).
- Per sostituire la lama o per effettuare uno smontaggio / rimontaggio della stessa, riportarsi alla procedura descritta nel capitolo "Manutenzione" pagina 9.

### ATTENZIONE :

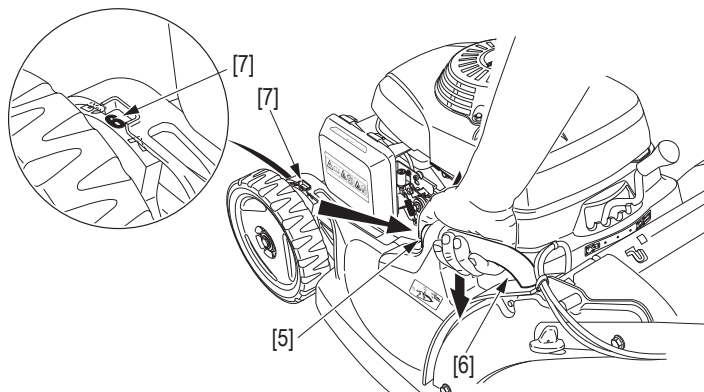
**Non fare mai funzionare il rasaerba con una lama usurata, danneggiata o incrinata, in quanto, in caso di rottura, la proiezione di uno spezzone di lama potrebbe causare gravi infortuni.**

**NOTA:** L'usura della lama è molto più rapida quando il rasaerba lavora su terreni sabbiosi. In caso di utilizzo del rasaerba in queste condizioni controllare la lama con frequenza.

## REGISTRAZIONE DELL'ALTEZZA DI TAGLIO

Per registrare l'altezza di taglio:

1. Arrestare il motore.
2. Tenere premuto il pulsante di sblocco [5] e alzare o abbassare il rasaerba utilizzando la maniglia di regolazione [6]. Un indicatore di altezza [7] si trova in corrispondenza della ruota anteriore sinistra.

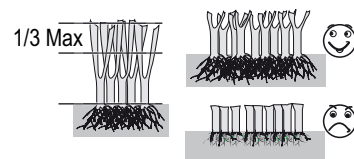


Le altezze di taglio registrabili corrispondono a valori approssimativi, in quanto l'altezza di taglio effettiva può variare in funzione delle condizioni del prato o del terreno. Per ottenere l'adeguata altezza di taglio, verificare l'aspetto del prato dopo aver rasato una piccola superficie di terreno ed eventualmente rifare una registrazione.

### NOTA:

- Non tagliare più di 1/3 dell'altezza dell'erba in una passata, per evitare la comparsa di macchie scure. Il taglio sarà più netto e si eviterà d'intasare la macchina.
- Se l'erba è troppo alta, tagliarla fino all'altezza massima prevista per il rasaerba. Effettuare un altro taglio dopo 2 o 3 giorni.
- La profondità delle radici è proporzionale all'altezza dei fili d'erba: più il taglio è corto e meno le radici sono profonde.
- Scegliere un'altezza di taglio adatta all'uso del prato: svago, sport: dai 5 cm in su, ornamentale: da 1 a 3 cm.
- Solo alcuni tipi di erba tollerano un taglio corto. Un prato con l'erba tagliata troppo corta è fragile e soggetto a seccarsi. Consultare uno specialista.

Posizioni	Altezza (mm)
1	25
2	34
3	43
4	52
5	61
6	70
7	79

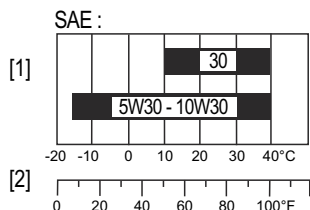


## VERIFICA DEL LIVELLO DELL'OLIO MOTORE

### PRECAUZIONI:

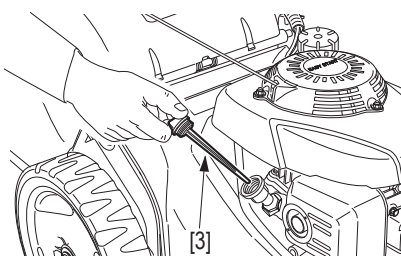
- L'olio motore è un elemento essenziale che influisce sulle prestazioni del motore e quindi sulla sua durata di vita.
- Far girare il motore con una quantità d'olio insufficiente può causare gravi danni a quest'ultimo. Si raccomanda di impiegare un olio Honda 4 tempi o un olio motore di qualità equivalente e ad alto potere detergente. Sarà inoltre opportuno scegliere la viscosità adatta alla temperatura media della zona di utilizzo.

Tipi d'olio [1] adatti in funzione della temperatura ambiente [2].

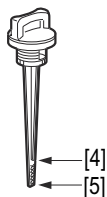


### Per verificare il livello dell'olio motore:

- Predisporre il rasaerba su un terreno piano.
- Togliere il tappo di riempimento dell'olio e asciugare l'astina di livello [3].



- Rimettere l'astina di livello nel bocchettone di riempimento senza avvitarla.
- Esaminare il segno lasciato dall'olio sull'astina. Se raggiunge appena il contrassegno inferiore [4] rabboccare con l'olio consigliato fino a raggiungere il contrassegno superiore [5].
- Riavvitare il tappo.



## SELEZIONE DELLA MODALITÀ DI TOSATURA

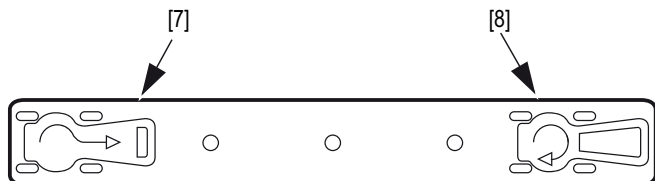
### REGOLAZIONE DEL COMANDO DI MULCHING VARIABILE

Tipi HYEА, VYEА:

- Rilasciare la leva d'accensione della lama.

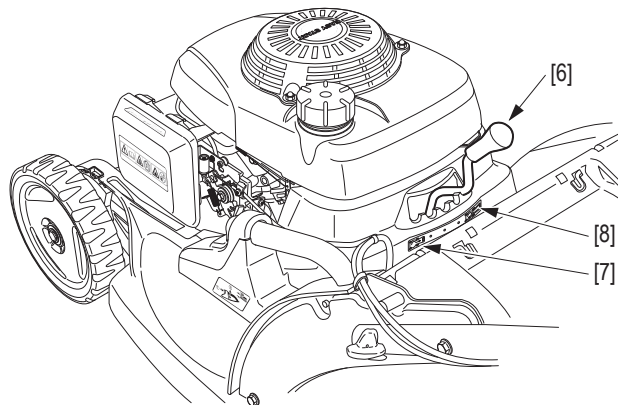
Tipi PKEА, VKEА:

- Sbloccare la leva del freno della lama.
- Regolare la manopola di controllo del mulching variabile in una delle 5 posizioni per ottenere il livello di sminuzzatura e di espulsione dell'erba che si desidera.



- Posizione di raccolta [7]:** la totalità dell'erba tagliata viene espulsa nella parte posteriore del rasaerba, i fili d'erba non sono frantumati.
- Posizione di sminuzzatura [8]:** l'erba non viene più raccolta nell'apposito sacco, ma finemente frantumata e depositata sul prato. I fili d'erba così spezzettati si decompongono sul suolo e formano un humus naturale in grado di produrre un quarto del fabbisogno annuale di fertilizzante per il vostro prato.

- Per scegliere la posizione più adatta alle vostre esigenze, fare una prova. Posizionare il sacco dell'erba e cominciare a tosare l'erba in posizione di raccolta [7]. Controllare l'effetto sul prato. Spostare la manopola [6] di una tacca verso destra. A mano a mano che la manopola viene spostata verso la posizione di sminuzzatura [8], una maggiore quantità di erba viene tagliata e depositata nuovamente sul prato. Spostare la manopola di comando [6] fino ad ottenere i risultati desiderati.



### NOTA:

- Il mulching è una tecnica di concimazione naturale. L'erba non viene più raccolta nel sacco apposito, ma viene tritata finemente e depositata sul prato.
- Oltre al suo uso come fertilizzante, il mulching protegge il terreno, limita l'evaporazione dell'acqua nei periodi caldi ed elimina la necessità di raccogliere l'erba.

### ESPULSIONE POSTERIORE

Se non si desidera raccogliere l'erba tagliata, è possibile utilizzare il rasaerba senza sacchetto raccogliherba. In questo caso, l'erba viene espulsa e guidata verso il suolo dal dispositivo di protezione contro le pietre. La quantità espulsa varia a seconda della posizione della manopola di comando del mulching variabile:

- quantità massima in posizione [7],
- quantità nulla in posizione [8].



# AVVIAMENTO E ARRESTO DEL MOTORE



## AVVIAMENTO DEL MOTORE

### PRECAUZIONI:

- Non avviare mai il motore con le leve d'innesto lama o di avanzamento inserite.



[A]

### RAPIDA

Riavviamento di un motore caldo e rasatura.



[B]

### LENTA

Funzionamento al minimo del motore.



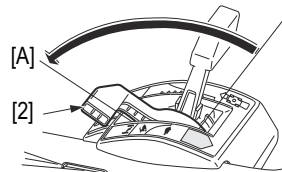
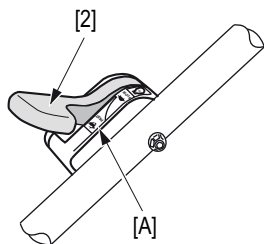
[C]

### ARRESTO

Arresto del motore. (Modelli dotati di Rotostop).

### Tutti modelli:

1. Aprire il rubinetto della benzina [1].
2. Predisporre la manetta dell'acceleratore [2] in posizione "RAPIDA" [A].

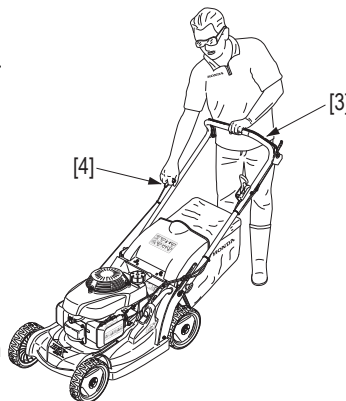


### Tipi PKEA, VKEA

3. Mantenere la leva freno della lama [3] contro il manubrio per avviare il rasaerba.

### Tutti modelli:

4. Tirare lentamente la maniglia di avviamento [4] fino ad avvertire una certa resistenza, quindi tirare con forza.



### NOTA:

- Non lasciare mai la maniglia ritornare brutalmente e da solo in posizione di riposo. Accompagnarla con la mano.
- Per registrare la velocità del motore in fase di funzionamento del rasaerba, la manetta dell'acceleratore può essere posizionata in qualsiasi punto tra le posizioni "RAPIDA" [A] e "LENTA" [B]. I migliori risultati vengono tuttavia ottenuti in posizione "RAPIDA" [A].

### Tipi HYEА, VYEА:

Inoltre il motore può spegnersi se la manetta è in posizione "LENTA" [B] quando la lama è innestata.

Per facilitare l'avviamento, predisporre il rasaerba su un terreno piano, senza erba alta.

## ARRESTO DEL MOTORE

### Tipi HYEА, VYEА:

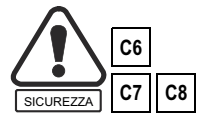
1. Posizionare la manetta dell'acceleratore su "ARRESTO" [C].

### Tipi PKEA, VKEA:

1. Posizionare la leva acceleratore su "LENTA" [B].
2. Sbloccare la leva del freno della lama.

### Tutti modelli:

3. Chiudere il rubinetto di alimentazione benzina su "ARRESTO" [5].



## MOTORE INGOLFATO

Se il motore persiste a non mettersi in moto anche dopo ripetute trazioni della maniglia di avviamento, questo potrà essere dovuto ad un ingolfamento del motore.

Per sgolfarlo, procedere come segue:

1. Predisporre la manetta dell'acceleratore in posizione "ARRESTO" [C] (tipi HYEА, VYEА).
2. Rimuovere e asciugare bene la candela di accensione. Rimontare quindi la candela avvintandola manualmente fino a battuta, quindi serrarla di 1/8 o di 1/4 di giro supplementare con l'apposita chiave per comprimere la relativa rondella di tenuta.
3. Predisporre quindi la manetta dell'acceleratore in posizione "RAPIDA" [A] e ripetere le operazioni di cui ai punti 2 e 3 della sezione "Messa in marcia del motore".

## CONSIGLI PER L'USO

### FUNZIONAMENTO IN ALTITUDINE

In altitudine la miscela standard benzina/aria del carburatore è troppo ricca, con conseguente diminuzione delle prestazioni e aumento dei consumi.

Le prestazioni del rasaerba in altitudine potranno essere migliorate montando sul carburatore uno spruzzatore di diametro ridotto e registrando opportunamente la vite di arricchimento. Se il rasaerba è chiamato a funzionare ad una quota di oltre 1500 m. sul livello del mare, si raccomanda di fare eseguire le suddette modifiche sul carburatore da un concessionario Honda autorizzato.

Malgrado le adeguate modifiche apportate al carburatore, la potenza del motore diminuirà di circa il 3,5 % ogni 300 metri di altitudine supplementare. Tuttavia, l'incidenza dell'altitudine sulla potenza sarà molto più notevole qualora le suddette modifiche non venissero eseguite.

### PRECAUZIONI:

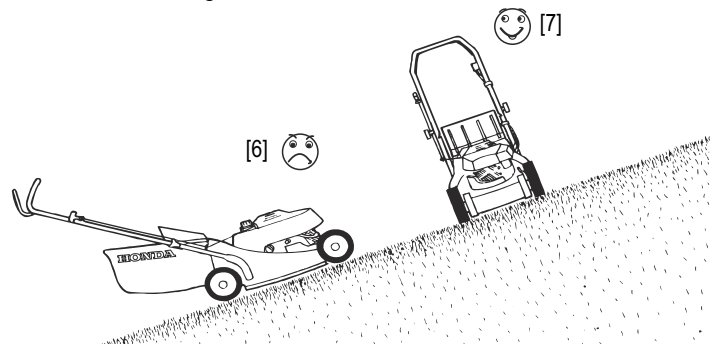
- Far funzionare il rasaerba ad una quota inferiore a quella per cui il carburatore è stato registrato può provocare un surriscaldamento e gravi danni al motore dovuti ad una miscela aria/benzina troppo povera.

### ATTENZIONE:

Usare la massima prudenza in caso di rasatura su terreni accidentati o irregolari, in quanto il rasaerba potrebbe rovesciarsi mettendo la lama allo scoperto. In questo caso la lama potrebbe proiettare all'intorno oggetti che prima non si vedevano. Mantenere le quattro ruote al suolo. Controllare la direzione del rasaerba mediante il manubrio, senza premere col piede sul carter copilama.

### PRECAUZIONI:

- In sede di aggiramento di un ostacolo, fare attenzione di non toccarlo con la lama. Non passare mai intenzionalmente su un oggetto.
- In caso di lavoro su terreni accidentati o sconnessi, non lasciarsi trainare dal rasaerba. Mantenere saldamente il manubrio del rasaerba e sorvegliarne l'andatura.



[6] ERRATO

[7] CORRETTO

**NOTA:** Se la velocità del rasaerba è troppo ridotta quando si taglia su un pendio, spostare leggermente la leva di cambio di velocità verso la posizione "RAPIDA".

## RASATURA



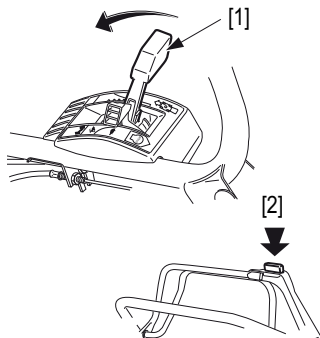
Leggere le istruzioni di sicurezza prima di iniziare la rasatura.

### Tipo HYEА:

#### **ATTENZIONE :**

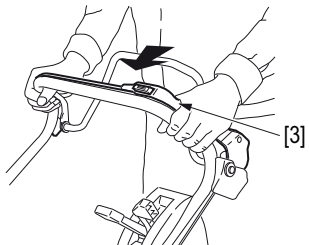
**Prima di avviare il motore rilasciare la leva d'innesto della lama e la barra della frizione. In quanto l'avviamento è più difficoltoso quando la lama è innestata. Se la frizione di avanzamento è inserita, il rasaerba si sposterebbe contemporaneamente all'avviamento del motore.**

1. Selezionare la velocità di avanzamento desiderata utilizzando la leva del cambio di velocità [1].



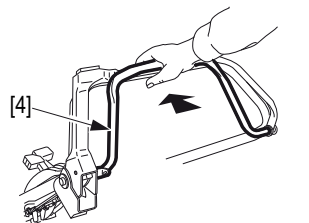
2. Innestare la lama:
  - Premere sul pulsante giallo [2] situato sulla parte superiore della leva di innesto della lama [3], spingerla poi contemporaneamente e mantenerla contro il manubrio.

3. Con la frizione, fare avanzare il rasaerba quando il motore ha ripreso i suoi giri:



- La leva d'innesto dell'avanzamento [4] agisce come un controllo di velocità variabile in funzione di quanto viene premuta. Questo fa sì che la velocità vari tra zero e la massima velocità preselezionata mediante la leva cambio. La velocità massima viene raggiunta quando entrambe le leve [3] e [4] sono premute completamente in avanti. Più è alta l'erba da tagliare, più è necessario ridurre la velocità d'avanzamento della macchina. Ciò evita di sovraccaricare il motore e migliora la qualità del taglio.

4. Per arrestare l'avanzamento del rasaerba:
  - Rilasciare la leva d'innesto dell'avanzamento [4].
5. Per fermare la rotazione della lama:
  - Rilasciare la leva d'accensione della lama [3].



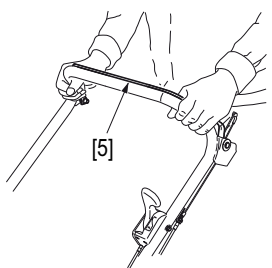
**NOTE:** È possibile non utilizzare la funzione d'avanzamento quando si sta effettuando il taglio su superfici ristrette. Allo stesso modo è possibile far avanzare il rasaerba senza innestare la rotazione della lama (per spostarlo sui sentieri, lungo le aiuole, ecc.).

#### **PRECAUZIONI:**

- *Imprimere un movimento rapido e completo sulla leva di comando della lama in modo che il trascinarsi della stessa sia sempre totalmente inserito o disinserito. Questo consente di evitare l'autospegnimento del motore prolungando nello stesso tempo la durata di servizio del meccanismo di comando della lama.*

### Tipo PKEA:

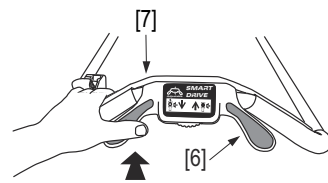
**NOTE:** Rilasciando la leva del freno lama [5] si fermerà la rotazione della lama e si spegnerà il motore.



### Tipo VKEA:

1. Con la frizione, fare avanzare il rasaerba [7] quando il motore ha ripreso i suoi giri:

- Spingere lentamente il comando Smart Drive [6] per fare avanzare il rasaerba.
- La velocità di avanzamento aumenta con la pressione esercitata sul comando Smart Drive.
- Esercitare solo una pressione sufficiente per ottenere la velocità desiderata. In una determinata posizione, la velocità di avanzamento varia a seconda di fattori quali il terreno, l'altezza dell'erba, la pendenza e il peso del sacco dell'erba. Il comando Smart Drive è destinato a permettere di mantenere la velocità di avanzamento desiderata in condizioni di tosatura in continua evoluzione.



2. Per arrestare l'avanzamento del rasaerba:
  - Rilasciare la leva di comando Smart Drive [6].
3. Per fermare la rotazione della lama:
  - Rilasciare la leva di innesto della lama [7].

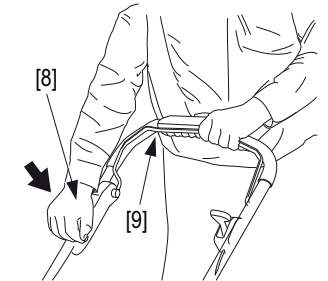
**NOTA:** Rilasciando la leva del freno lama si fermerà la rotazione della lama e si spegnerà il motore.

### Tipo VYEA:

#### **ATTENZIONE :**

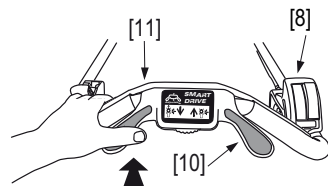
**Prima di avviare il motore rilasciare la leva d'innesto della lama e la barra della frizione. In quanto l'avviamento è più difficoltoso quando la lama è innestata. Se la frizione di avanzamento è inserita, il rasaerba si sposterebbe contemporaneamente all'avviamento del motore.**

1. Innestare la lama:
  - Premere il pulsante di sblocco [8] e tenerlo premuto.
  - Tirare la leva d'accensione della lama verso di sé [9].
  - Rilasciare il pulsante di sblocco [8] quando le lame sono impegnate.



2. Con la frizione, fare avanzare il rasaerba quando il motore ha ripreso i suoi giri:

- Spingere lentamente il comando Smart Drive [10] per fare avanzare il rasaerba.
- La velocità di avanzamento aumenta con la pressione esercitata sul comando Smart Drive.
- Esercitare solo una pressione sufficiente per ottenere la velocità desiderata. In una determinata posizione, la velocità di avanzamento varia a seconda di fattori quali il terreno, l'altezza dell'erba, la pendenza e il peso del sacco dell'erba. Il comando Smart Drive è destinato a permettere di mantenere la velocità di avanzamento desiderata in condizioni di tosatura in continua evoluzione.



3. Per arrestare l'avanzamento del rasaerba:
  - Rilasciare la leva di comando Smart Drive [10].
4. Per fermare la rotazione della lama:
  - Rilasciare la leva di innesto della lama [11].

**NOTE:** È possibile non utilizzare la funzione d'avanzamento quando si sta effettuando il taglio su superfici ristrette. Allo stesso modo è possibile far avanzare il rasaerba senza innestare la rotazione della lama (per spostarlo sui sentieri, lungo le aiuole, ecc.).

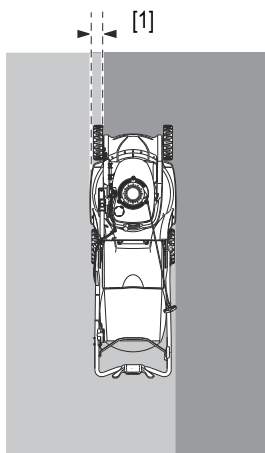


### PRECAUZIONI:

- *Imprimere un movimento rapido e completo sulla leva di comando della lama in modo che il trascinarsi della stessa sia sempre totalmente inserito o disinserito. Questo consente di evitare l'autospegnimento del motore prolungando nello stesso tempo la durata di servizio del meccanismo di comando della lama.*

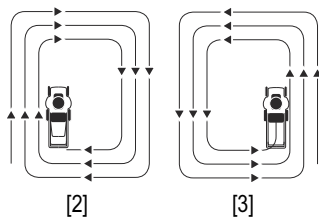
### NOTA:

- Frequenza dei tagli: 1 volta alla settimana per un prato dedicato ad attività di svago, 2 volte per un prato ornamentale.
- Tagliare l'erba preferibilmente di pomeriggio o sera prima di innaffiare, perché l'erba sia asciutta. In caso di eccessiva polvere, tagliare l'erba quando è asciutta, ma il terreno è ancora umido.
- Scegliere un'altezza di taglio adatta al terreno (vedi pagina 5).
- Per un taglio regolare, bisogna ripassare di qualche centimetro [1] sulla parte già tagliata e aumentare questa zona di sovrapposizione quando si effettua un taglio alto.
- Per ottenere la massima efficacia, rispettare il percorso indicato.
- Se il giardino è di forma irregolare o presenta numerosi ostacoli, dividerlo in sezioni all'interno delle quali si possa tagliare l'erba come raccomandato:



[2] Con la raccolta dell'erba : per i migliori risultati girare in senso orario.

[3] Con il kit mulching (extra, pagina 15): girare in senso antiorario.



### SEVUOTAMENTO DEL SACCO DI RACCOLTA

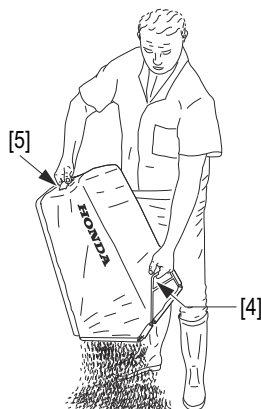
Quando il sacco di raccolta è troppo pieno, la rasatura è meno efficiente (il rumore del rasoio è più lo stesso e il sacco non è più gonfiato dall'aria soffiata dalla lama).

#### Tipi HYEА, VYEA:

1. Rilasciare la leva d'accensione della lama.

#### Tipi PKEA, VKEA:

1. Sbloccare la leva del freno della lama.
2. Rimuovere il sacco (vedi pagina 4).
3. Vuotare il sacco:
  - Mantenere il sacco per l'impugnatura metallica [4].
  - Afferrare l'impugnatura [5], quindi scuotere il sacco per evacuare l'erba.



### PRECAUZIONI:

- *Per ridurre ogni rischio d'incendio, non lasciare mai l'erba tagliata o le foglie nel sacco di raccolta all'interno o in prossimità di un fabbricato, in quanto la decomposizione delle sostanze vegetali potrebbe provocare un notevole aumento della temperatura.*

### ATTENZIONE :

Prima di utilizzare il rasoio, accertarsi che il dispositivo di chiusura del sacco sia correttamente bloccato (protettore anti-scarica).

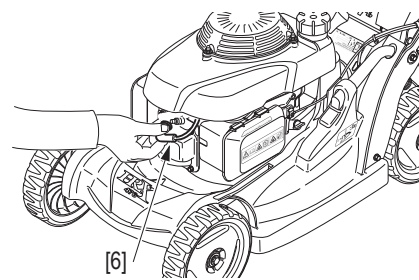
## MANUTENZIONE

Una manutenzione regolare costituisce la migliore garanzia per una lunga durata di vita del rasoio.



### ATTENZIONE :

Per evitare ogni avviamento intempestivo, prima di effettuare una qualsiasi operazione di manutenzione disinserire il cappuccio della candela di accensione [6].



### PRECAUZIONI:

- *Tener presente che il motore e la marmitta di scarico possono raggiungere temperature tali da provocare bruciature o incendi qualora delle materie infiammabili si trovassero in prossimità del rasoio.*
- *Prima di ogni operazione di manutenzione lasciare che il motore si raffreddi per 15 minuti.*

**NOTA:** Per assicurare una lunga durata e un miglior rendimento del rasoio, è indispensabile mantenere la parte sottostante del rasoio in perfetto stato di pulizia lavandola dopo l'uso con spazzola e raschietto l'erba o i corpi estranei accumulatisi. Eseguire inoltre una pulizia a fondo prima del rimessaggio stagionale del rasoio.

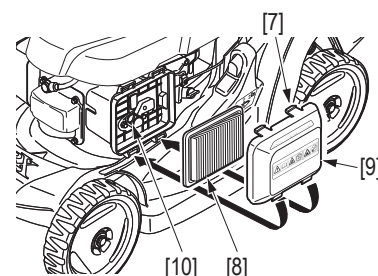
### MANUTENZIONE DEL FILTRO DELL'ARIA

Un filtro dell'aria intasato o sporco diminuisce il flusso dell'aria in direzione del carburatore. Per impedire ogni malfunzionamento del carburatore è quindi indispensabile pulire con frequenza il filtro dell'aria.

### ATTENZIONE :

Non utilizzare mai benzina o solventi infiammabili per pulire gli elementi del filtro dell'aria, in quanto potrebbero provocare incendi od esplosioni.

1. Premere le linguette [7] posizionate sulla parte alta del coperchio filtro aria e togliere il coperchio [9].
2. Controllare il filtro [8] e sostituirlo se sono danneggiati.
3. Battere leggermente l'elemento filtrante contro una superficie dura per rimuovere la sporcizia, oppure soffiare con aria compressa (non superare i 2,1 kgf/cm<sup>2</sup>, 30 psi) attraverso il filtro dal lato rivolto verso il motore.



**NOTA:** L'elemento filtrante [8] deve essere asciutto per espletare la sua funzione. Non impregnarlo d'olio.

4. Pulire lo sporco dall'interno del coperchio [9] filtro e dal suo alloggiamento, utilizzando un panno.

**NOTA:** Fare attenzione a prevenire che la sporcizia [10] non penetri all'interno del condotto aria del carburatore.

5. Rimontare il filtro [8] e il coperchio filtro aria [9].

## SOSTITUZIONE DELL'OLIO MOTORE

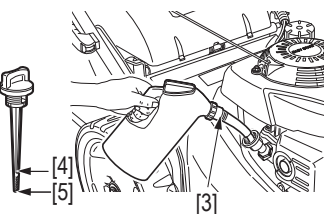
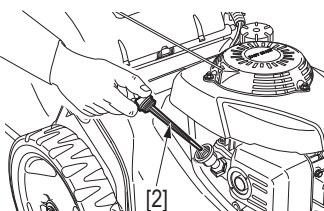
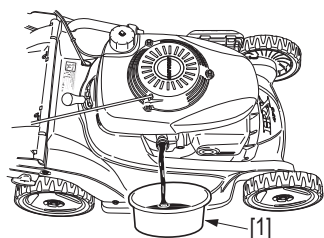


Vuotare l'olio quando il motore è ancora caldo in modo da assicurare uno scarico rapido e completo.

### PRECAUZIONI:

- Ricordarsi che l'olio motore usato può provocare il cancro della pelle in caso di contatto prolungato o ripetuto con l'epidermide. Benché tale eventualità sia poco probabile, a meno di non manipolare ogni giorno l'olio usato, si raccomanda di lavarsi bene le mani con acqua e sapone dopo ogni contatto con lo stesso.

1. Rovesciare il rasaerba su un fianco.
2. Predisporre un recipiente [1] sotto l'orifizio del tubo di riempimento della coppa dell'olio.
3. Togliere il tappo di riempimento dell'olio [2].
4. Dopo lo svuotamento completo dell'olio, rimettere il rasaerba sulle proprie ruote.
5. Effettuare il pieno dell'olio [3] fino al contrassegno "livello superiore" [4] utilizzando l'olio raccomandato (vedi pagina 6).
6. Riavvitare il tappo a fondo onde evitare ogni rischio di perdite.



**NOTA:** Eliminare l'olio motore usato nel rispetto dell'ambiente. Si consiglia di consegnarlo in un recipiente stagno ad una stazione di servizio che si incaricherà del suo riciclaggio. Evitare soprattutto di gettarlo in un contenitore per immondizi o di versarlo in tubazioni, fognature, o direttamente sul suolo.

## VERIFICA DELLA CANDELA DI ACCENSIONE

Candela raccomandata: NGK - BPR5ES

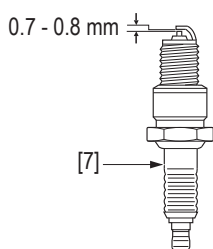
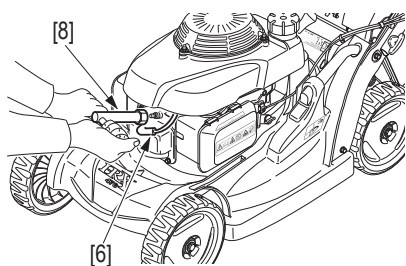
### PRECAUZIONI:

- Utilizzare esclusivamente le candele prescritte. L'utilizzo di candele aventi un grado termico inadeguato potrebbe infatti causare danni al motore.

### ATTENZIONE :

Se il motore è stato appena spento non toccare il tubo di scarico: potrebbe essere ancora molto caldo.

1. Disinserire il cappuccio [6] e svitare la candela [7] con l'apposita chiave [8].



2. Esaminare attentamente la candela e sostituirla se i depositi carboniosi sono eccessivi o se l'isolante è rotto o incrinato.
3. Misurare la distanza tra gli elettrodi mediante una serie di spessimetri. Essa dovrà risultare compresa tra 0,7 e 0,8 mm. Qualora una registrazione risultasse necessaria, basterà piegare l'elettrodo laterale per avvicinarlo o allontanarlo da quello centrale.
4. Accertarsi che la rondella di tenuta sia in perfette condizioni, quindi riavvitare la candela manualmente fino a battuta.
5. Mediante l'apposita chiave, avvitare la candela di 1/2 giro supplementare per comprimere la rondella se si tratta di una candela nuova, o da 1/8 ad 1/4 di giro in caso di rimontaggio dellastessa candela.
6. Rimontare il cappuccio sulla candela.

### PRECAUZIONI:

- La candela di accensione deve essere correttamente avvitata. Una candela incorrettamente avvitata può infatti surriscaldarsi e danneggiare il motore.



## MANUTENZIONE DEL PARASCINTILLE (In opzione)

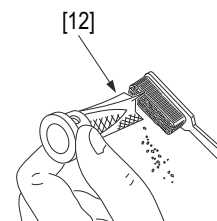
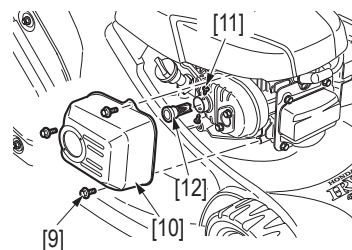
(In Europa e negli altri paesi in cui è applicata la direttiva macchine 2006/42/CE, questa pulizia dovrebbe essere effettuata dal centro assistenza del vostro rivenditore).

### ATTENZIONE :

Dopo l'arresto del rasaerba la marmitta di scarico rimane molto calda per un certo tempo. Lasciare che si raffreddi prima di procedere alla manutenzione del parascintille.

In alcune regioni è vietato far funzionare un motore senza un parascintille.

1. Rimuovere le tre viti flangiate [9] dalla protezione marmitta [10] e togliere la protezione.
2. Rimuovere le due viti [11] dal parascintille e togliere il parascintille [12] dalla marmitta.
3. Verificare la presenza di depositi carboniosi sul foro di scarico e sul parascintille. Pulire se necessario.
4. Sostituire il parascintille se questo è danneggiato.
5. Rimontare il parascintille [12] e la protezione marmitta [10] in ordine inverso allo smontaggio.



## REGISTRAZIONE DEL CARBURATORE



### PRECAUZIONI:

- Si raccomanda di far effettuare la regolazione ad un concessionario Honda.

**Velocità di minimo normale:** 1 700 ± 150 giri/min

**Velocità regolata di utilizzo:** 2 800 <sup>+0</sup>/<sub>-100</sub> giri/min

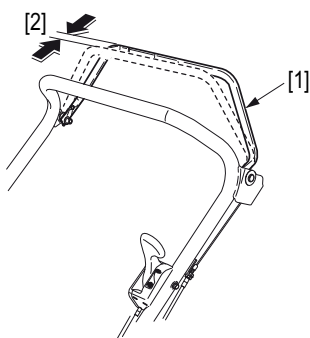
## REGISTRAZIONE DEL LEVA FRENO DELLA LAMA

### Tipo PKEA:

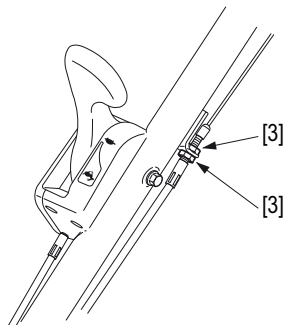
1. Arrestare il motore e disinserire il cappuccio della candela.
2. Sbloccare la leva del freno del lama [1] e verificare che ci sia una forte resistenza quando tirate l'avviatore autoavvolgente.

### In caso contrario:

3. Misurare il gioco [2] sull'estremità della leva [1] (30 a 35 millimetri al massimo).



4. In caso di regolazione necessaria, svitare i controdadi [3] e regolare come richiesto. Serrare i controdadi e controllare nuovamente il gioco.



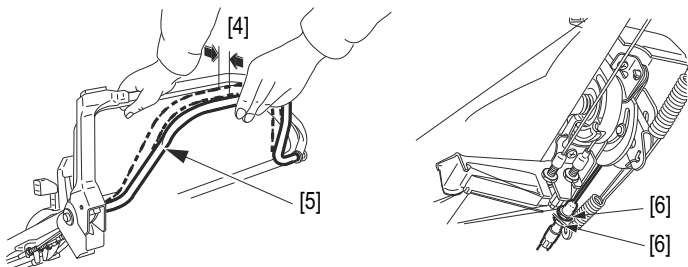
5. Mettere il motore in moto e rilasciare la leva del freno lama. Accertarsi che la lama e il motore si fermino quando la leva viene rilasciata. In caso contrario, fare esaminare il rasaerba da un concessionario Honda autorizzato.

## REGISTRAZIONE DEL CAVO DI COMANDO

### Tipo HYEА:

Misurare il gioco [4] al vertice della leva [5] mantenendo premuto il pulsante giallo.

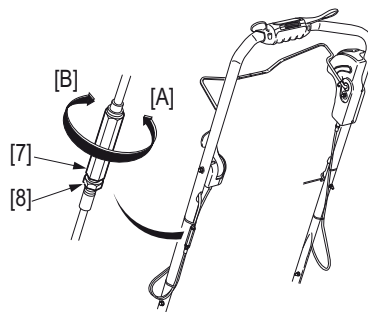
1. Mettere la leva di cambio velocità nella posizione più rapida e svitare i controdadi [6].
2. Allentare o tendere il cavo come necessario per ottenere un gioco da 1 a 5 mm.
3. Riavvitare i dadi di bloccaggio [6] e verificare nuovamente il gioco [4].
4. Avviare il motore all'esterno e azionare la leva di comando innesto lama. Accertarsi che la lama si metta a girare quando la leva viene tirata indietro e si fermi non appena viene rilasciata.



### Tipo VYEA:

Eeguire questa procedura con le ruote appoggiate su una superficie piana.

1. Allentare il controdado [8] del cavo di innesto Smart Drive.
2. Avviare il motore.
3. Senza innestare l'impugnatura Smart Drive, ruotare il regolatore del cavo di innesto [7] nella direzione di movimento "MOVE" [A] fino a quando il tosaerba non inizia a spostarsi in avanti.
4. Ruotare il regolatore del cavo di innesto di 1 ~ 2 giri nella direzione di arresto "STOP" [B].
5. Stringere il controdado del cavo di innesto.
6. Controllare il funzionamento del sistema Smart Drive.



### Tutti modelli:

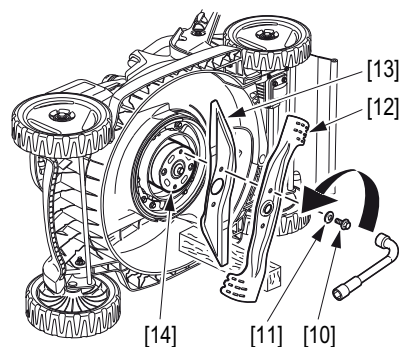
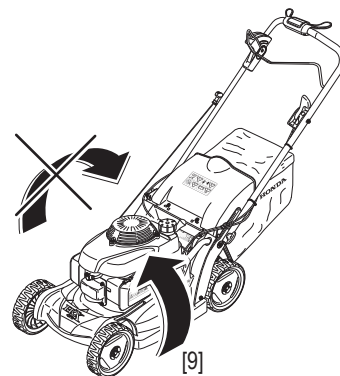
**NOTA:** Se la frizione non si innesta correttamente benché la registrazione del cavo sia corretta, una riparazione potrà risultare necessaria. In tal caso, fare esaminare il rasaerba da un concessionario Honda autorizzato.

## MONTAGGIO E SMONTAGGIO DELLA LAMA DI TAGLIO



### SMONTAGGIO DELLA LAMA

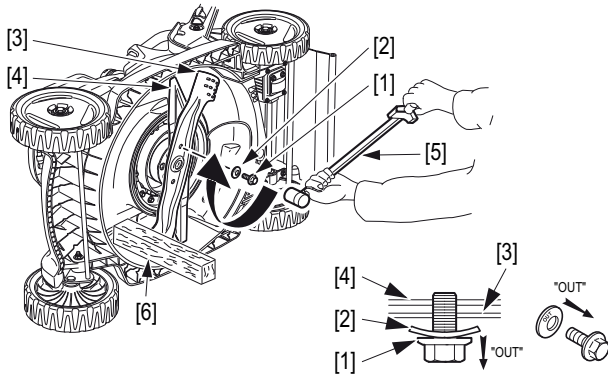
1. Predisporre la manetta di comando accelerazione in posizione "ARRESTO" (modelli dotati di Rotostop).
2. La valvola del carburante in posizione "CHIUSO". Staccare il cappuccio della candela.
3. Inclinare il rasaerba in modo che il carburatore risulti orientato verso l'alto [9].
4. Utilizzare una chiave a bussola da 14 mm e rimuovere i due bulloni della lama [10] e le rondelle speciali [11] dall'unità di comando della lama [14]. Usare un blocco in legno per impedire alla lama(e) di ruotare quando vengono rimossi i bulloni.
5. Rimuovere la lama superiore da sminuzzatura [13] e la lama inferiore da sminuzzatura [12].



## MONTAGGIO DELLA LAMA

1. Pulire lo sporco e l'erba dalla zona di montaggio della lama.
2. Montare la lama(e) [3] [4] utilizzando i due bulloni per lame [1] e le rondelle speciali [2] come illustrato. Montare le rondelle speciali con il lato convesso "OUT" rivolto verso le viti.  
I bulloni delle lame sono progettati apposta per questo uso e non vanno sostituiti con altri bulloni.
3. Stringere i bulloni delle lame con una chiave tarata [5]. Utilizzare un blocco di legno [6] per impedire alla lama(e) di ruotare.

**Forza di serraggio del bullone: 49 ~ 59 Nm**



### PRECAUZIONI:

- In mancanza di chiave dinamometrica, chiedere ad un concessionario Honda autorizzato di eseguire il corretto serraggio di queste viti prima di utilizzare il rasaerba.
- In quanto potrebbero allentarsi se insufficientemente avvitate o rompersi nel caso contrario.

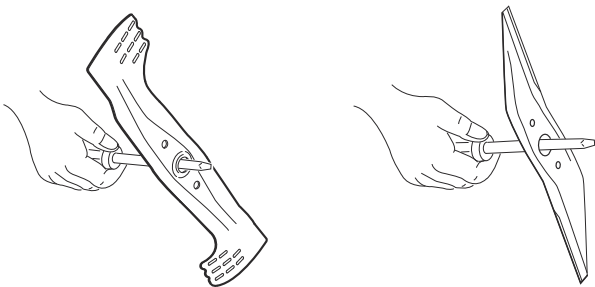
### ATTENZIONE :

L'utilizzo del tosaerba con una sola lama provoca l'errato posizionamento della lama, che potrebbe staccarsi con il rischio di lesioni gravi o morte.

Utilizzare sempre entrambe le lame.

**NOTA:** Non inclinare mai il rasaerba in modo che il carburatore sia orientato verso il basso, in quanto ciò potrebbe causare l'ingolfamento del carburatore con conseguenti difficoltà nell'ulteriore avviamento del rasaerba.

## SOSTITUZIONE DELLA LAMA



### PRECAUZIONI:

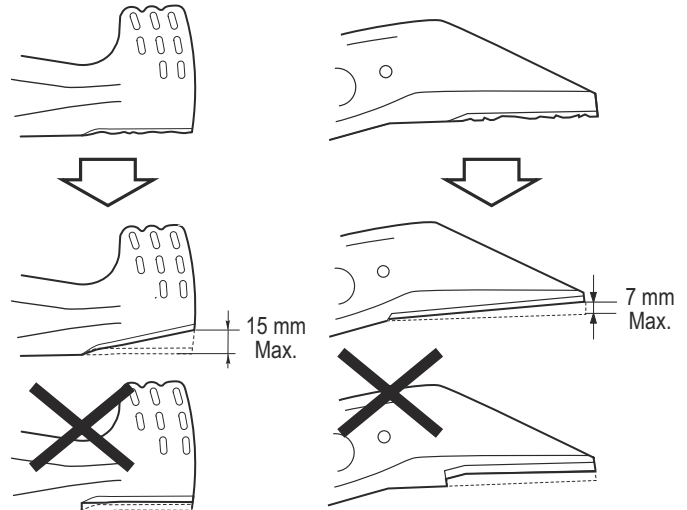
- Per ottenere la massima efficienza di taglio è indispensabile che la lama sia correttamente bilanciata. Sarà quindi tassativo sostituire ogni lama danneggiata o svergolata.
- Utilizzare esclusivamente lame di ricambio originali Honda.

## AFFILATURA DELLA LAMA

1. Affilare il profilo di taglio della lama con una lima. Affilare soltanto il lato superiore. Mantenere il profilo della smussatura originale in modo da avere un'ottimale finitura di taglio. Affilare entrambi i bordi della lama per mantenere la bilanciatura della lama.
2. Dopo l'affilatura, controllare la bilanciatura della lama, usando un giravite come illustrato. Se un lato tende a muoversi al di sotto della linea orizzontale, limare quel lato. Sostituire la lama se molto sbilanciata.

### PRECAUZIONI:

- Per evitare un indebolimento della lama tale da provocarne lo sbilanciamento o un taglio di cattiva qualità, affidare l'affilatura della lama esclusivamente al personale competente di un concessionario Honda autorizzato.



## PULIZIA E SOSTITUZIONE DEL SACCO DI RACCOLTA

### PULIZIA DEL SACCO

### PRECAUZIONI:

- Non lavare mai il sacco con un getto di vapore o ad alta pressione in quanto potrebbe rovinarsi.
- L'eventuale ostruzione delle maglie impedisce all'erba di penetrare nel sacco.
- Per pulire il sacco, di consiglia di lavarlo con un getto d'acqua diretto dall'esterno verso l'interno. Lasciarlo poi asciugare completamente prima di riutilizzarlo, in quanto un sacco bagnato si intaserebbe rapidamente.



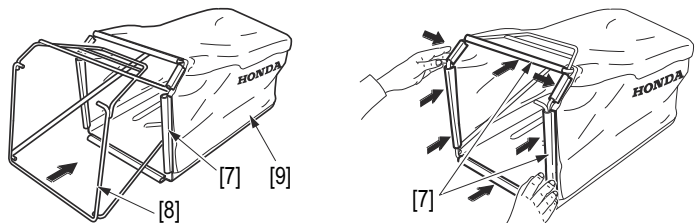
### ATTENZIONE :

li oggetti eventualmente colpiti dalla lama possono essere proiettati attraverso un sacco di raccolta strappato o rovinato. Gli oggetti proiettati all'intorno possono provocare gravi infortuni. Un sacco di raccolta strappato o danneggiato deve essere assolutamente sostituito.

### SOSTITUZIONE DEL SACCO

Tener presente che il sacco di raccolta tende ad usarsi anche in condizioni di lavoro normali. Sarà quindi opportuno accertarsi regolarmente che non sia sfilacciato o strappato. Sostituire un sacco danneggiato o usurato con un sacco di ricambio originale Honda.

1. Staccare i bordi in plastica [7] del sacco [9] usurato e staccarlo dal telaio [8].
2. Inserire il telaio nel sacco nuovo e fissare i bordi di plastica [7] sullo stesso.



## PROGRAMMA DI MANUTENZIONE

Operazioni da effettuarsi agli intervalli indicati in mesi o in ore di funzionamento, rispettando l'intervallo più breve.		Periodicità				
		Ad ogni utilizzo	Dopo 1 mese o 5 ore	Ogni 3 mesi o 25 ore	Ogni 6 mesi o 50 ore	Ogni anno o 100 ore
Elemento	Intervento					
Olio motore	Controllare il livello					
	Sostituire			(1)		
Filtro dell'aria	Verificare					
	Pulire			(1)		
	Sostituire					(1)
Sacco di raccolta	Pulire					
Serraggio delle viti di fissaggio lama e stato della lama	Verificare					
Candela d'accensione	Verificare					
	Pulire					
Parascintille (In opzione)	Pulire				(6)	
Cavo di ROTOSTOP (3)	Verificare		(2)		(2)	
	Regolare se necessario		(2)		(2)	
Cavo del freno lama (4)	Verificare					
	Regolare se necessario		(2)		(2)	
ROTOSTOP (3)	Verificare		(2)		(2)	
Cavo cambio velocità (5)	Verificare					
Cavo di comando accelerazione	Verificare		(2)		(2)	
	Regolare se necessario		(2)		(2)	
Gioco valvole	Regolare se necessario					(2)
Serbatoio benzina e filtro	Pulire				(2)	
Tubazione benzina	Verificare (sostituire se necessario)	Ogni 2 anni (2)				
Pattino freno volano (4)	Verificare			(2)		
Cinghia di avanzamento (5)	Verificare				(2)	
Piatto tosaerba	Pulire					

- (1) Aumentare le frequenze in caso di uso del rasaerba in aree polverose o in alte temperature.
- (2) La manutenzione di questi punti deve essere affidata ad un concessionario Honda autorizzato.
- (3) Tipi HYEА, VYEA
- (4) Tipi PKEA, VKEA
- (5) Tipi HYEА, VKEA, VYEA
- (6) In Europa e negli altri paesi in cui è applicata la direttiva macchine 2006/42/CE, questa pulizia dovrebbe essere effettuata dal centro assistenza del vostro rivenditore.

## INDIVIDUAZIONE DEI GUASTI

### IL MOTORE NON SI AVVIA

Possibile causa	Rimedio
Valvola del carburante su OFF (chiuso).	Aprire la valvola del carburante ON (aperto) (pagina 7).
Manetta dell'acceleratore nella posizione sbagliata	Porre la manetta dell'acceleratore su "RAPIDA" (pagina 7).
Mancanza di carburante.	Rifornire di carburante (pagina 4).
Carburante deteriorato; tosaerba immagazzinato senza aver trattato o sciolato la benzina, oppure fatto rifornimento con benzina deteriorata.	Fare rifornimento con benzina produzione recente (pagina 4).
Candela difettosa, sporca o con una spaziatura errata.	Pulire, correggere la spaziatura o sostituire la candela (pagina 10).
Candela bagnata di carburante (motore ingolfato).	Asciugare e rimontare candela. Avviare il motore con la manetta dell'acceleratore nella posizione "RAPIDA".
Sfiato del serbatoio di benzina intasato, carburatore sporco o accensione difettosa.	La manutenzione di questi punti deve essere affidata ad un concessionario Honda autorizzato.
La leva del freno lama non è mantenuta fermamente contro il manubrio (Modelli dotati).	La leva del freno lama dovrà essere mantenuta appoggiata contro il manubrio (pagina 11).

### PERDITA DI POTENZA

Possibile causa	Rimedio
Manetta dell'acceleratore non sulla posizione "RAPIDA".	Porre la manetta dell'acceleratore su "RAPIDA" (pagina 7).
Erba troppo alta da tagliare.	Alzare l'altezza di tosatura (pagina 5), tosare una fascia più stretta (pagina 9), o più frequentemente. Regolare la manopola di direzione dello scarico.
Piatto tosaerba intasato.	Pulire il piatto tosaerba (pagina 11).
Filtro dell'aria intasato.	Pulire o sostituire il filtro dell'aria (pagina 9).
Carburante deteriorato; tosaerba immagazzinato senza aver trattato o sciolato la benzina, oppure fatto rifornimento con benzina deteriorata.	Fare rifornimento con benzina di produzione recente (pagina 4).
Sfiato del serbatoio di benzina intasato, carburatore sporco o accensione difettosa.	La manutenzione di questi punti deve essere affidata ad un concessionario Honda autorizzato.

### SCARSA QUALITÀ DI TOSATURA O DI INSACCATURA

Possibile causa	Rimedio
La velocità del motore è troppo lenta per tosare bene.	Porre la manetta dell'acceleratore su "RAPIDA" (pagina 7).
Il tosaerba si muove troppo rapidamente per le condizioni del prato.	Selezionare una velocità inferiore (se presente) o spingere più lentamente.
Il sacco raccoglierba è troppo pieno od è intasato.	Svuotare il sacco raccoglierba. Lavare il sacco raccoglierba se intasato con sporco (paginas 9 e 12).
Il piatto tosaerba è intasato.	Pulire il piatto tosaerba (pagina 11).
Lama(e) poco affilata, usurata o danneggiata.	Affilare o sostituire la lama(e) (pagina 12).
È stata montata una lama sbagliata.	Montare la lama(e) corretta (pagina 12).

### VIBRAZIONI

Possibile causa	Rimedio
Lama(e) allentate, piegate, danneggiate o sbilanciate a causa di una cattiva affilatura.	Stringere i bulloni della lama allentati. Sostituire lama(e) danneggiati (pagina 12).
Danni meccanici, quali un albero motore piegato.	La manutenzione di questi punti deve essere affidata ad un concessionario Honda autorizzato.

# CUSTODIA

## PREPARAZIONE PER LA CUSTODIA

Eseguire le seguenti operazioni per proteggere il rasaerba ogni qualvolta dovrà essere rimessato per un periodo di oltre 30 giorni.

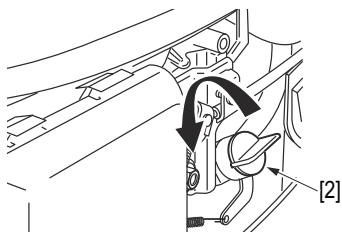


### ATTENZIONE :

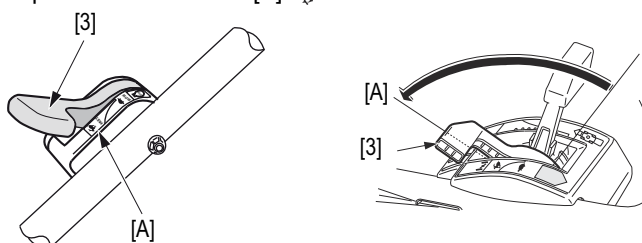
**Non scaricare il serbatoio della benzina quando la marmitta di scarico è ancora calda.**

1. Scaricare il serbatoio della benzina e il carburatore in un contenitore adeguato [1]:

a. Aprire il rubinetto della benzina [2].

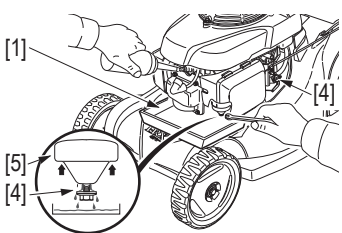


b. Posizionare la leva di controllo dell'acceleratore [3] sulla posizione "RAPIDA" [A].



c. Allentare la vite di drenaggio [4] (massimo 1/4 - 1/2 giro).

d. Sollevare la vaschetta del carburatore [5] e drenare il carburante.



e. Rimontare la vite di drenaggio e chiudere il rubinetto carburante [2].



2. Sostituire l'olio motore (vedi pagina 10).

3. Tirare maniglia di avviamento fino ad avvertire una resistenza. Questo consente di chiudere le valvole per proteggerle dalla polvere e la corrosione.

4. Applicare un velo d'olio sulle superfici suscettibili di arrugginirsi. Ricoprire il rasaerba e porlo su un suolo piano e in luogo asciutto al riparo dalla polvere. Non utilizzare teloni in plastica, in quanto questi trattengono l'umidità.

**NOTA:** Se il rasaerba deve per un periodo di oltre 3 mesi, rimuovere la candela di accensione e versare 5-10 cm<sup>3</sup> d'olio motore pulito nel cilindro, quindi esercitare due o tre trazioni sulla maniglia di avviamento per ripartire l'olio nel cilindro. Non lasciare mai il rasaerba adagiato su un fianco per lunghi periodi, in quanto ne potrebbe risultare un avviamento difficoltoso del motore e perdite dell'olio di trasmissione.

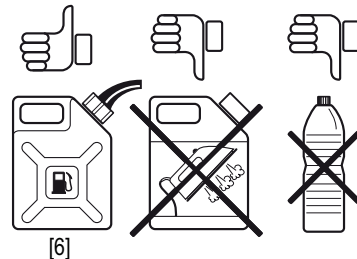
## STOCCAGGIO DEL CARBURANTE

### NOTA:

• Il carburante si ossida e si deteriora quando viene lasciato immagazzinato.

La benzina deteriorata causa difficoltà di avviamento e lascia dei residui gommosi che intasano l'impianto di alimentazione. Se la benzina contenuta nel vostro motore si deteriora durante l'immagazzinamento potreste dover far sostituire o riparare il carburatore o altri componenti dell'impianto di alimentazione.

• Avere cura di utilizzare dei contenitori o delle taniche intesi specificatamente per gli idrocarburi [6]. Ciò eviterà che la benzina venga contaminata dagli effetti della reazione sulle pareti del recipiente e causi quindi il malfunzionamento del motore.



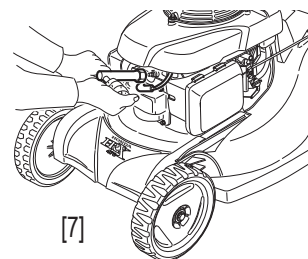
• Conservare il carburante al riparo dalla luce del giorno in una stanza con temperatura costante (evitare le cassette da giardino).

• La garanzia non copre un carburatore ostruito o delle valvole incollate a causa di benzina vecchia o contaminata.

• La qualità del carburante senza piombo si deteriora molto rapidamente (in 2 o 3 settimane in alcuni casi): non utilizzare carburante che abbia più di un mese. Tenerne la quantità strettamente necessaria per il consumo mensile.

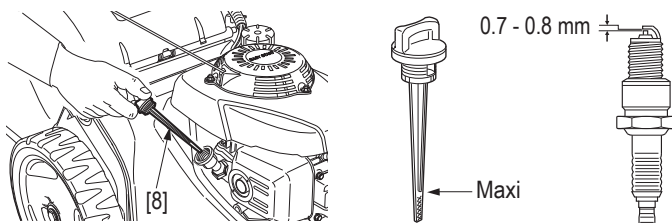
## RIUTILIZZO DOPO IL RIMESSAGGIO

1. Rimuovere la candela di accensione [7], verificare che sia pulita e che la distanza tra gli elettrodi sia corretta. Esercitare ripetute trazioni sulla maniglia di avviamento.



2. Si raccomanda di avvitare manualmente il più a fondo possibile la candela, quindi di servirsi dell'apposita chiave per stringerla di 1/8 o 1/4 di giro supplementare.

3. Verificare il livello e lo stato dell'olio motore [8].

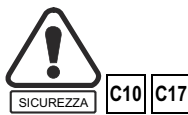


4. Riempire il serbatoio della benzina e mettere il motore in moto.

**NOTA:** Se il cilindro è stato spalmato d'olio all'atto dell'avviamento il motore si metterà a fumare, il che è del tutto normale.

# TRASPORTO

## TRASPORTO DEL RASAERBA

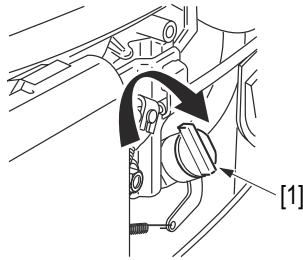


### ⚠ ATTENZIONE :

Per non rischiare di spandere la benzina o l'olio non inclinare mai il rasaerba: la benzina o i suoi vapori potrebbero accendersi e provocare incendi.

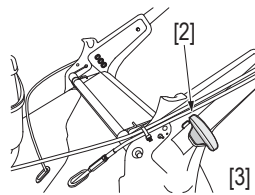
Per trasportare il rasaerba:

1. Predisporre la leva dell'acceleratore in posizione "ARRESTO" (eccetto tipi PKEA, VKEA).
2. Togliere il cappuccio della candela di accensione.
3. Girare il rubinetto in posizione "OFF" (chiuso) [1].

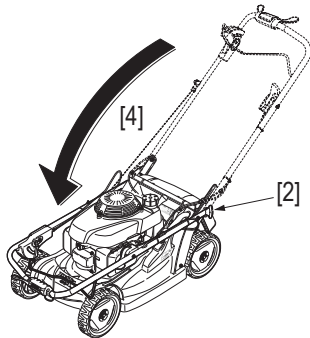


Per maggior comodità:

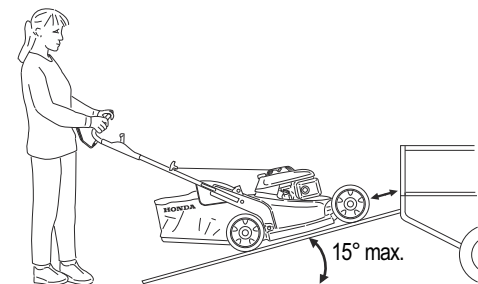
1. Rimuovere il sacco di raccolta (vedi pagina 12).
2. Ruotare le manopole di piegatura/regolazione del manubrio [2] di quarto di giro in posizione di sblocco [3].
3. Ripiegare il manubrio [4].



**NOTA:** Dopo aver reclinato il manubrio, accertarsi che i cavi non siano annodati, attorcigliati o troppo tesi.



## CARICAMENTO DEL RASAERBA



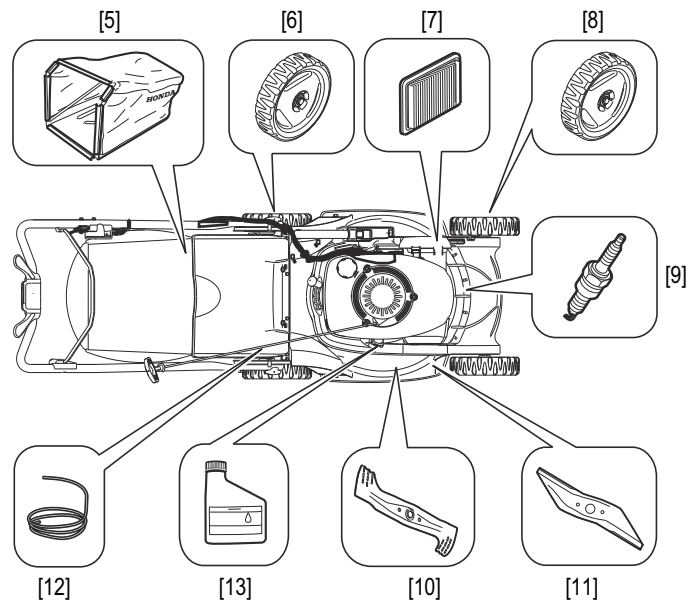
### PRECAUZIONI:

- Per evitare ogni perdita di controllo o danneggiamento del rasaerba, non utilizzare mai il sistema di trazione per far salire o scendere il rasaerba su una rampa di carico.
- Per non danneggiare il sistema di trazione non innestare la frizione di avanzamento quando il rasaerba viene fatto arretrare.
- Trasportare il rasaerba in posizione orizzontale normale, con le quattro ruote appoggiate sulla piattaforma del veicolo.
- Si raccomanda di utilizzare una rampa di carico o di farsi aiutare da qualcuno per caricare o scaricare il rasaerba.
- Registrare la rampa di carico in modo che il suo angolo d'inclinazione sia inferiore a 15°.
- In fase di trasporto del rasaerba, immobilizzarlo con apposite cinghie e inserire delle calzatoie sotto le ruote.
- Le cinghie di ancoraggio non devono toccare le seguenti parti del rasaerba: leva di comando accelerazione, leva d'innesto della lama, serbatoio del carburante, insieme dei cavi di comando.

# LE INFORMAZIONI UTILI

## CONCESSIONARI AUTORIZZATI

Per trovare il più vicino, visitare il sito internet europeo:  
<http://www.honda-eu.com>



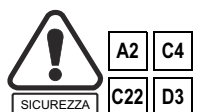
## PEZZI DI RICAMBIO, ACCESSORI EXTRA E CONSUMABILI

Per acquistare uno dei pezzi di ricambio originali sottoelencati, o altri pezzi, contattare un rivenditore autorizzato Honda.

HRX476C		
<b>Pezzi di ricambio standard</b>		
[5]	Sacco raccogliherba	81320-VK8-J50 Sacco semplice (senza telaio)
[6]	Ruota posteriore	42710-VK8-J50ZA
[7]	Filtro dell'aria	17211-ZL8-023 Filtro di carta
[8]	Ruota anteriore	44710-VK8-J50ZA
[9]	Candela d'accensione	98079-55846 NGK (marca): BPR5ES (modello)
[10]	Lama standard	72511-VK8-J50 Richiede l'uso di una chiave torsionometrica
[11]		72531-VK8-J50
[12]	Corda di avviamento	28462-ZL8-631 Fare effettuare la sostituzione dal concessionario Honda
<b>Consumabili</b>		
[13]	Olio motore	08221-888-061HE SAE 10W30, 0,6 l Olio per motore a 4 tempi

### ⚠ ATTENZIONE :

Per la vostra sicurezza, è formalmente vietato montare qualsiasi altro accessorio che quelli specificamente concepiti per il vostro modello e tipo di Rasaerba, elencati sopra.



# SPECIFICHE TECNICHE

MODELLO		HRX476C			
TIPI		PKEA	VKEA	VYEA	HYEA
<b>CARATTERISTICHE GENERALI</b>					
Codice di descrizione		MASF			
Funzione		Taglio di erba			
Dimensioni L x l x a	mm	1 600 x 530 x 1 010	1 545 x 530 x 960		1 610 x 530 x 1 035
Peso a vuoto	kg	36	39	42	44
Carreggiata ANT/POST	mm	430 / 453			
Larghezza di taglio	mm	470			
Registrazione dell'altezza di taglio	mm	7 posizioni (25 a 79 mm)			
Diametro ruote ANT/POST	mm	212 / 212			
Capacità sacco di raccolta	ℓ	69			
Livello di pressione acustica sul posto di guida (secondo direttiva EN 836: 1997 + A4: 2011) dB(A)		81,5			
Incertezza di misura	dB(A)	1			
Livello di potenza acustica misurata (secondo direttive 2000/14/EC, 2005/88/EC) dB(A)		94			
Incertezza di misura	dB(A)	1			
Livello di potenza acustica garantita (secondo direttive 2000/14/EC, 2005/88/EC) dB(A)		95			
Misura di vibrazioni (secondo direttive EN 836: 1997 + A4: 2011, EN12096-D: 1997) (**)	m/s <sup>2</sup>	2,8			
Incertezza di misura	m/s <sup>2</sup>	0,9			
<b>MOTORE</b>					
Modello		GCV160A			
Tipo		Motore 4 tempi con valvole in testa, raffreddamento ad aria			
Cilindrata	cm <sup>3</sup>	160			
Alesaggio x Corsa		64 x 50			
Raffreddamento		Aria forzata			
Lubrificazione		A stabbimento			
Rapporto di compressione		8,5 : 1			
Potenza netta (*)	kW/giri/min.	3,3 / 3 600			
Potenza nominale	kW/giri/min.	2,7 / 2 800			
Velocità regolata di utilizzo	giri/min.	2 800 <sup>+0</sup> <sub>-100</sub>			
Regime di minimo	giri/min.	1 700 ± 150			
Accensione		Magnetica transistorizzata			
Candela		NGK : BPR5ES			
Distanza tra gli elettrodi	mm	0,7 a 0,8			
Filtro dell'aria		Semi-secco e due elementi			
Carburante raccomandato		Preferibilmente senza piombo 95 e 98			
Capacità del serbatoio carburante	ℓ	0,91			
Consuma carburante	ℓ/h	1,1			
Consumo (*)	h	0,8			
Olio raccomandato		SAE 10W30			
Capacità olio motore	ℓ	0,5			
<b>TRASMISSIONE</b>					
Tipo		-	Attrito mediante coni	Hidrostatica	
Motore verso trasmissione		-	Cinghia a V		
Finale trasmissione		-	Ingranaggi		
Numero di velocità		-	Variazione continua		
Velocità di avanzamento	m/s	-	0 ~ 1,4		
Lubrificazione		-	Bagno d'olio e sbattimento		
Lubrificante consigliato		-	SAE 10W30 API Tipo SL / SJ	Honda HST	
Capacità coppa dell'olio	cm <sup>3</sup>	-	150	140	

(\*) La potenza nominale del motore indicata nel presente documento corrisponde alla potenza netta erogata, testata su un motore di serie per il modello GCV160A e misurata in base a quanto previsto dalla normativa SAE J1349 a 3 600 giri/min. (potenza netta). I motori destinati alla produzione di massa possono discostarsi da questo valore. La potenza effettiva erogata dal motore installato sulla macchina finale varierà in funzione di numerosi fattori, tra cui la velocità operativa del motore in applicazione, le condizioni ambientali, la manutenzione ed altre variabili.

(\*\*) Valori validi per macchina equipaggiata con sacco di raccolta, nella posizione "raccolta erba".



# INTRODUCTIE

Geachte cliënt,

U bent thans de gelukkige eigenaar van een Honda gazonmaaier. Wij danken u voor het in ons merk gestelde vertrouwen.

Deze handleiding is bedoeld om u vertrouwd te maken met de machine, hem volledig te benutten en oordeelkundig te onderhouden. Ons streven is, onze cliënten moderne machines te bieden die volgens de laatste technologie, met de modernste materialen en het grootste vakmanschap vervaardigd zijn. Kortom - wij verbeteren onze produkten onophoudelijk. Het kan dan ook voorkomen, dat de in deze handleiding verstrekte technisch of andere gegevens niet volledig met die van uw machine overeenstemmen. In voorkomend geval verzoeken wij u, contact met uw Honda-dealer op te nemen.

Wij bevelen u aan, deze handleiding zodanig op te bergen, dat u hem te allen tijde snel kunt raadplegen. Tevens verzoeken wij u, de handleiding aan de nieuwe eigenaar over te dragen wanneer u deze grasmaaimachine verkoopt.

Lees aandachtig de garantiebepalingen teneinde misverstand omtrent uw rechten en verplichtingen uit te sluiten. De garantie wordt u door uw Honda-dealer verstrekt. Niets uit deze handleiding mag zonder voorafgaande schriftelijke toestemming van Honda France Manufacturing S.A.S. worden verveelvoudigd.

## VEILIGHEIDSVOORSCHRIFTEN

Elk door een motor aangedreven werktuig kan een bron van gevaar worden bij onjuist gebruik of slecht onderhoud.

De veiligheidsvoorschriften in deze handleiding vallen in twee categorieën:

### ⚠ WAARSCHUWING :

**In de wind slaan van de betreffende waarschuwing kan lichamelijk letsel en zelfs levensgevaar opleveren.**

#### VOORZICHTIG:


• *In de wind slaan van de betreffende waarschuwing kan lichamelijk letsel of mechanische schade ten gevolge hebben.*

**NB:** Dit gaat vooraf aan nuttige wenken.

## VERKLARING VAN DE IN DIT HANDBOEK GEBRUIKTE CODES

HRX476C	H Y E A	P K E A	V K E A	V Y E A
Aangedreven model met hydrostatische transmissie .....	•			
Duw type .....		•		
Zelfrijdend met variabele overbrenging .....			•	•
Met mesrem .....	•	•	•	
Rotostop .....	•			•

Het model van de machine wordt vermeld op de "kenplaat" en bestaat uit een serie letters en cijfers (zie Blz 3).

 \_\_\_\_\_  
Noteer hier het serienummer van de machine

\_\_\_\_\_

Noteer hier het model van de machine

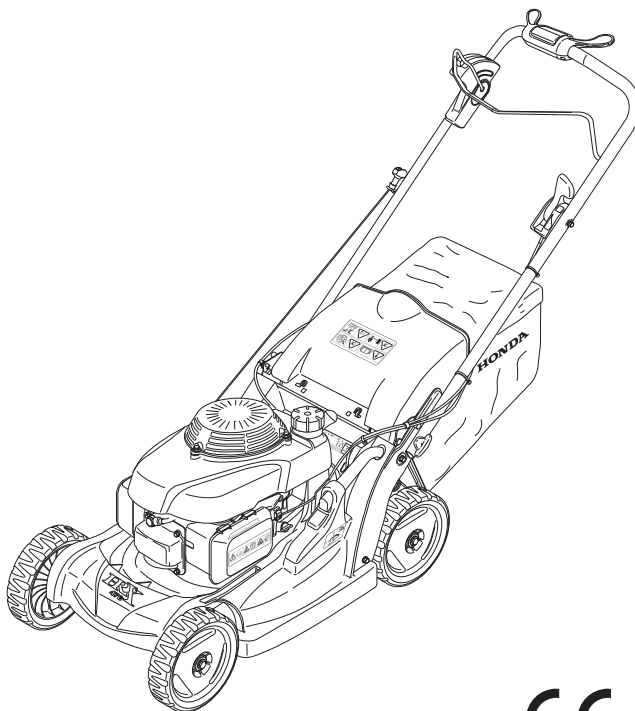
**HONDA**  
POWER EQUIPMENT

## GEBRUIKERSHANDLEIDING

Oorspronkelijke gebruiksaanwijzing

# HRX476C

## Gazonmaaiers



CE

## INHOUDSOPGAVE

Introductie .....	1
Veiligheidsvoorschriften .....	2
Waarschuwingstickers .....	3
Identificatie van de machine .....	3
Beschrijving .....	3
Vorbereidingen tot het in bedrijf nemen .....	4
Instellen van de maaimodus .....	6
Motor starten .....	7
Praktische wenken .....	7
Onderhoud .....	9
Storingzoeken .....	13
Winterberging .....	14
Vervoer .....	15
Nuttige informatie .....	15
Technische gegevens .....	16
Adressen van Honda-importeurs .....	17
"EU-conformiteitsverklaring" OVERZICHT .....	18

NEDERLANDS

# VEILIGHEIDSVOORSCHRIFTEN

Elk door een motor aangedreven werktuig kan een bron van gevaar worden bij onjuist gebruik of slecht onderhoud.

De veiligheidsvoorschriften in deze handleiding vallen in twee categorieën:

## WAARSCHUWING:

**In de wind slaan van de betreffende waarschuwing kan lichamelijk letsel en zelfs levensgevaar opleveren.**

### VOORZICHTIG:

• *In de wind slaan van de betreffende waarschuwing kan lichamelijk letsel of mechanische schade ten gevolge hebben.*

**NB:** Dit gaat vooraf aan nuttige wenken.



Dit symbool maant tot voorzichtigheid bij sommige handelingen. Zie de veiligheidsvoorschriften op deze en de volgende bladzijden, en in het bijzonder de punt(en) die in het vierkantje vermeld staan.

## WAARSCHUWINGEN VOOR HET MAAIEN

- A1.** Lees deze instructies zorgvuldig. Zorg ervoor alle bedieningsorganen en het juiste gebruik ervan te kennen voor u de machine gebruikt. Zorg ervoor dat u de motor snel kunt afzetten.
- A2.** Gebruik de maaier alleen voor het doel waarvoor hij bedoeld is, dit is het maaien en opvangen van gras. Elk ander gebruik kan gevaarlijk zijn of schade aan de machine veroorzaken.
- A3.** Laat nooit kinderen, of mensen welke deze instructies niet kennen, de gazonmaaier gebruiken. Locale wetten kunnen een minimumleeftijd aangeven voor het gebruik van een gazonmaaier.
- A4.** Maai nooit wanneer:
  - Er mensen, vooral kinderen of huisdieren in de buurt zijn.
  - De gebruiker onder invloed is van medicijnen of andere stoffen welke de reactiesnelheid kunnen beïnvloeden.
- A5.** Houd in gedachte dat de eigenaar of de gebruiker verantwoordelijk is voor eventuele ongevallen, ongemak of schade veroorzaakt aan andere personen of hun eigendommen.

## VOORBEREIDING OP HET GEBRUIK

- B1.** Draag tijdens het maaien degelijk schoeisel en een lange broek. Maai nooit blootsvoets of op open schoeisel.
- B2.** Controleer, voor u gaat maaien het te maaien veld zorgvuldig op alle voorwerpen welke door de maaier kunnen worden weggeslingerd (stenen, takken, draad, speelgoed enz.) en verwijder deze.
- B3. WAARSCHUWING:** Benzine is zéér brandbaar!
  - Sla benzine alleen op in jerrycans welke voor dat doel gemaakt zijn.
  - Vul alleen buiten benzine bij, en alléén met stilstaande motor. Rook niet tijdens het bijvullen of tijdens het anderszins omgaan met benzine.
  - Draai nooit de tankdop van de tank met draaiende motor of zolang de motor nog heet is.
  - Start, wanneer u benzine heeft gemorst, de motor niet voor u de machine heeft verplaatst en droog gemaakt. Voorkom vuur en vonkvorming tot alle benzinedampen verdwenen zijn.
  - Monteer de tankdop en de dop van de benzine-jerrycan en draai deze vast.
  - Ledig de brandstoftank voor u de grasmaaimachine kantelt om het mes te blokkeren of de olie af te tappen.
- B4.** Vervang defecte geluiddempers.
- B5.** Controleer voor ieder gebruik visueel of het maaimes, de mesbouten en de maaikast onbeschadigd en niet overmatig gesleten zijn. Vervang versleten of beschadigde mesbouten en het mes als set om een juiste balancering te waarborgen.

## GEBRUIK

- C1.** Laat de motor niet draaien in een gesloten ruimte waar het levensgevaarlijke koolmonoxide zich kan verzamelen.
- C2.** Maai alleen bij daglicht of goed kunstlicht.
- C3.** Voorkom indien mogelijk het maaien van nat gras.

- C4.** Blijf tijdens het maaien op veilige afstand van de maaidek. De stuurboom heeft een veilige lengte, blijf dus achter de maaier.
- C5.** Met draaiende motor altijd gewoon lopen, nooit hard lopen. Laat uzelf niet trekken door de maaier.
- C6.** Wees tijdens het maaien van een helling verzekerd van voldoende steun voor uw voeten. Maai altijd dwars op een helling, nooit op en neer.
- C7.** Wees heel voorzichtig wanneer u van richting verandert op een helling.
- C8.** Maai geen hellingen steiler dan 20°.
- C9.** Wees heel voorzichtig wanneer u de maaier naar u toe trekt.
- C10.** Zet het maaimes stil wanneer u de maaier scheef moet houden of op moet tillen voor transport, wanneer u een andere ondergrond betreedt dan gras en wanneer u de maaier transporteert van of naar het terrein dat gemaaid moet worden.
- C11.** Gebruik de maaier nooit wanneer het maaidek of de afschermplaat beschadigd zijn of wanneer veiligheidsvoorzieningen zoals een grasvangzak of uitwerpkoker niet aangebracht zijn.
- C12.** Breng geen wijzigingen aan in de toerentalregelaar-afstelling en zorg dat de motor niet over toeren draait.
- C13.** Ontkoppel het mes en de rijkoppeling voor (modellen uitgevoerd met Rotostop) u de motor start (modellen aangedreven).
- C14.** Start de motor volgens de instructies, en houdt uw voeten uit de buurt.
- C15.** C15. Kantel de maaier niet wanneer u de motor start. Start de motor altijd op een vlakke ondergrond, vrij van hoog gras of obstakels.
- C16.** Houd uw handen uit de buurt van roterende delen. Start de motor niet terwijl U voor de uitwerpopening staat.
- C17.** Til de maaier nooit op met draaiende motor.
- C18.** Stop de motor en neem de bougiekap van de bougie:
  - Voordat u werkzaamheden verricht onder de maaidek of in de uitwerptunnel.
  - Voordat u de maaier controleert, schoonmaakt of er onderhoud aan pleegt.
  - Wanneer u met de maaier een vreemd object heeft geraakt. Controleer de maaier op schade en repareer deze voor u de maaier opnieuw start en gebruikt.
  - Wanneer de maaier abnormaal begint te trillen. Controleer onmiddellijk wat de oorzaak van deze trillingen is en neem deze weg door de noodzakelijke reparatie uit te (laten) voeren, voor u de maaier opnieuw gebruikt.
- C19.** Stop de motor in de volgende gevallen:
  - Wanneer u de motor onbewaakt achterlaat. Neem bij electrisch gestarte modellen de contactsleutel uit het slot.
  - Voor het bijtanken.
- C20.** Stop het mes (modellen uitgevoerd met Rotostop) of de motor in de volgende gevallen:
  - Wanneer u de grasvangzak afneemt of monteert.
  - Voor het afstellen van de maaihooft.
- C21.** Neem gas terug wanneer u de motor afzet. Zet de gashendel in de stop-positie of sluit de benzinekraan.
- C22.** Als u andere accessoires gebruikt, dan die worden aanbevolen in deze handleiding, dan kan dit leiden tot schade aan uw motorgazonmaaier die niet onder de garantie valt.

## ONDERHOUD EN OPSLAG

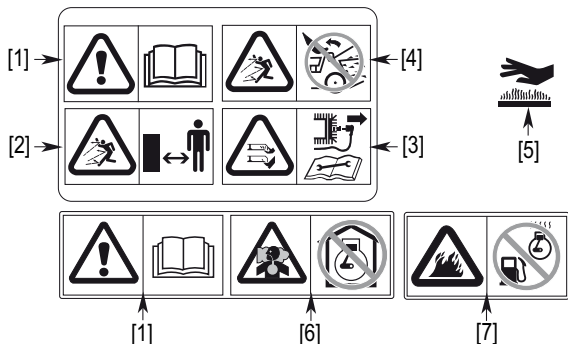
- D1.** Houd alle bouten, moeren en schroeven goed vastgedraaid, zodat de maaier veilig blijft om te gebruiken. Regelmatig onderhoud is essentieel om de maaier in een veilige en goedwerkende toestand te houden.
- D2.** Zet uw maaier nooit weg met benzine in de tank, wanneer eventuele benzinedamp in contact kan komen met een open vlam, vonk of andere bron van hoge temperatuur.
- D3.** Laat de motor afkoelen voor u deze in een gesloten ruimte opbergt.
- D4.** Houd, om brandgevaar te voorkomen, de maaier en in het bijzonder de motor, uitlaat en het accu-compartiment, vrij van gras, bladeren en overtollig vet. Plaats geen vat met organisch materiaal (compostvat) in of vlakbij een gebouw.
- D5.** Wanneer u de benzinetank wilt aftappen, moet dit buiten gebeuren, met koude motor.
- D6.** Controleer het grasvangsysteem regelmatig op slijtage of beschadiging.
- D7.** Gebruik de machine niet met beschadigde of versleten onderdelen. Onderdelen moeten worden vervangen, niet gerepareerd. Gebruik altijd originele Honda-onderdelen. Maaimessen moeten zijn voorzien van een Honda-merk en een referentienummer. Niet gelijkwaardige onderdelen kunnen schade veroorzaken aan de machine en uw veiligheid nadelig beïnvloeden.
- D8.** Draag dikke (werk)handschoenen wanneer u het mes (de)monteert en bij het schoonmaken van het maaidek. Blokkeer het mes bij losnemen met een houten blok.
- D9.** Zorg altijd dat het mes goed in balans blijft wanneer u het mes slijpt.

# WAARSCHUWINGSSTICKERS

Gebruik uw gazonmaaier met de nodige voorzichtigheid. Om u tot voorzichtigheid te manen is uw maaier voorzien van een aantal afbeeldingen welke u door middel van pictogrammen wijzen op de belangrijkste gebruiksrisico's. Hun betekenis is hieronder weergegeven.

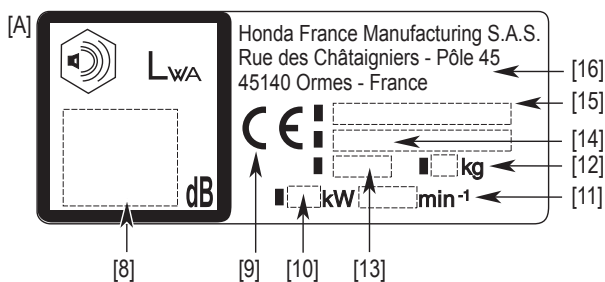
Deze afbeeldingen zijn een deel van uw gazonmaaier. Indien er een loslaat of onleesbaar is geworden, laat deze dan vervangen door uw Honda-dealer.

Lees aandachtig de veiligheidsvoorschriften op (zie Blz 2).



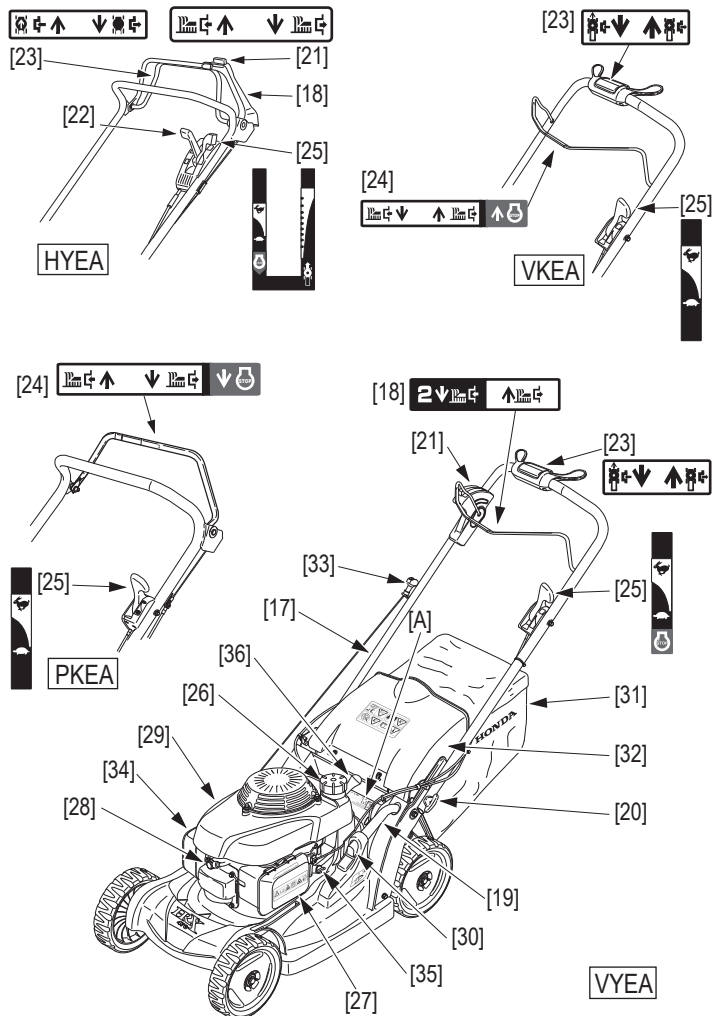
- [1] **WAARSCHUWING:** Lees de gebruikershandleiding voor u deze maaier gebruik.
- [2] Gevaar voor wegschietende voorwerpen. Houd overige personen uit de buurt tijdens het gebruik van deze maaier.
- [3] Gevaar voor snijwonden. Sneldraaiend mes: Steek uw hand of voet niet in de maaikast. Neem de bougiekap van de bougie voor u onderhoud of reparaties aan uw maaier uitvoert.
- [4] Niet gebruiken uitwerpkoker je of grasopvangbak.
- [5] De geluiddemper wordt tijdens het bedrijf zeer heet en blijft dat nog enige tijd nadat de motor is uitgeschakeld.
- [6] De uitlaatgassen van de motor bevatten giftig koolmonoxidegas. Laat de motor niet draaien in een omsloten ruimte.
- [7] Benzine is uiterst brandbaar en explosief. Zet de motor uit en laat deze afkoelen voordat u brandstof bijvult.

# IDENTIFICATIE VAN DE MACHINE



- [8] Geluidsniveau
- [9] EG-merkteken
- [10] Nominaal vermogen in kW
- [11] Motortoerental in omw./min.
- [12] Gewicht in kg
- [13] Productiejaar
- [14] Serienummer
- [15] Model - Type
- [16] Naam en adres van de fabrikant

# BESCHRIJVING



## BENAMING VAN DE ONDERDELEN

ONDERDELEN	FUNCTIE
[17] Stuurboom	
[18] Meskoppelingshendel (Rotostop)(*)	Mes in- en uitschakelen
[19] Maaihoogtehendel	Kiest de gewenste maaihoogte
[20] Inklapknop / rinstellen stuurboom	Voor het instellen van de hoogte of het inklappen van de stuurboom
[21] Ontgrendelingsknop van de meskoppelingshendel (*)	Meskoppeling in-en uitschakelen
[22] Versnellingshendel (*)	Voor het regelen van de maximumrij snelheid
[23] Aandrijvingskoppelingshefboom (*)	Bedient de overbrenging van de achterwiel aandrijving
[24] Mesremhendel (*)	Voor het uitschakelen van het mes en de motor / Maakt het starten mogelijk
[25] Gashendel	Regelt het motortoerental
[26] Benzinetank	
[27] Luchtfilter	
[28] Ontstekingsbougie	
[29] Motorolietank	
[30] Ontgrendelingsknop van de maaihoogtehendel	
[31] Grasvangzak	Vangt het gemaaid gras op
[32] Steenbeveiliging	Beschermt tegen wegschietende stenen e.d.
[33] Repeteerstarter	Voor het starten van de motor
[34] Uitlaat	
[35] Benzinekraan	Voor het afsluiten / openen van de benzineleiding
[36] Bediening van de variabele mulching	Regelt het uitwerpdebiet van het maaisel

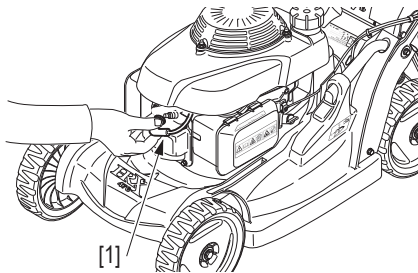
(\*) Voor de modellen die ermee zijn uitgerust

# VOORBEREIDINGEN TOT HET IN BEDRIJF NEMEN



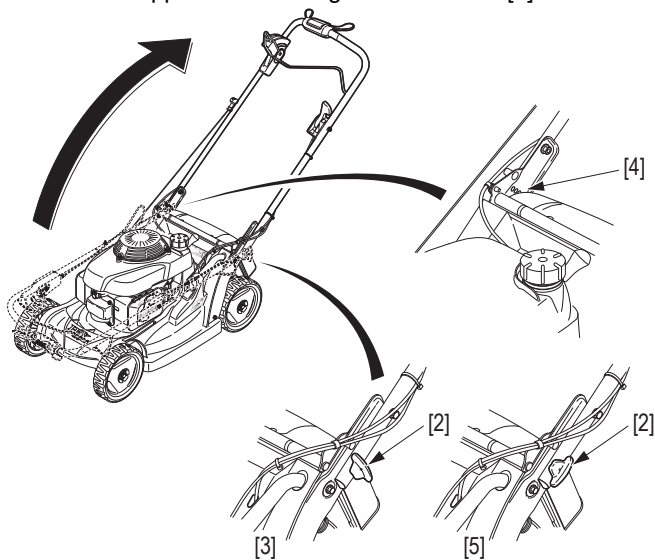
## ⚠ WAARSCHUWING :

Plaats de gazonmaaier op een stabiele, vlakke ondergrond. Schakel de motor uit en neem de kap van de bougie [1].



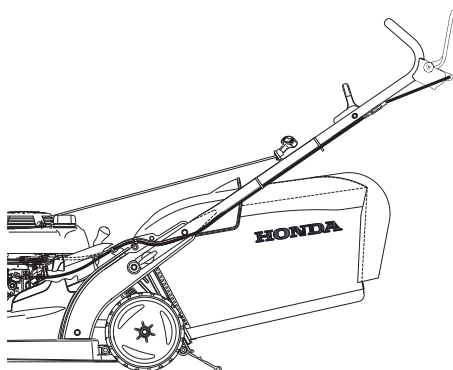
## STUURBOOM VERSTELLEN

1. Draai de knop voor het inklappen/instellen van de stuurboom [2] een kwart slag in ontgrendelde stand [3].
2. Klap de stuurboom uit totdat de as van de inklapknoppen overeenkomt met de bovenste, middelste of onderste gaten [4], afhankelijk van de gewenste hoogte van de stuurboom.
3. Draai de knoppen weer in vergrendelde stand [5].



Kontroleer of de spanbeugels van de kabels op de duwboom op de juiste plaats staan.

Voor de montage van de opvangzak, zie Blz 12.



## MONTAGE EN KONTROLE VAN DE GRASVANGZAK



## ⚠ WAARSCHUWING :

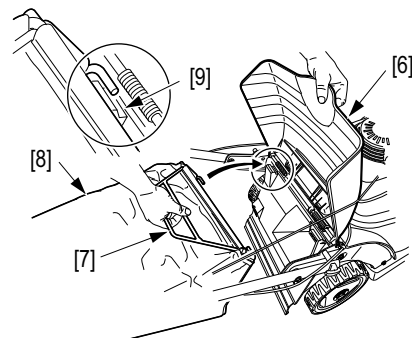
Kontroleer dat de grasvangzak goed gesloten is voor u met maaien begint (steenbeveiliging). Onder normale gebruiksomstandigheden kan de grasvangzak slijten. Controleer regelmatig of de zak niet rafelt of gescheurd is. Een versleten zak moet worden vervangen. Gebruik ook hier uitsluitend Honda- onderdelen.

## Grasvangzak demonteren:

1. Zet de motor af.
2. Licht de kap [6] op, pak de handgreep [7] vast en verwijder de grasvangzak [8]. Houd de grasvangzak hierbij horizontaal.

## Grasvangzak monteren:

1. Licht de kap op en bevestig de grasvangzak aan de gazonmaaier [9].



**NB:** De maaimachine functioneert als een stofzuiger; door de luchttoevoer naar de grasvangzak wordt het maaisel aangezogen. Leeg de grasvangzak voordat hij helemaal vol raakt. Het verzamelvermogen neemt af wanneer de zak voor ongeveer 90 % vol is. Ook is de zak gemakkelijker te legen als hij niet propvol zit.

## BENZINEPEIL KONTROLEREN

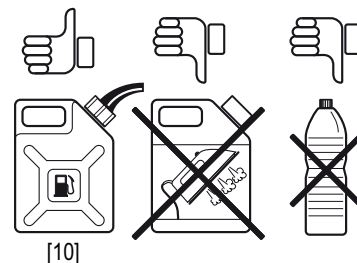
## ⚠ WAARSCHUWING :

Vul de benzinetank niet zover, dat er benzine tot in de vultuit staat. Wanneer de tank vol is, moet de dop volledig vastgeschroefd worden.

Vermijd herhaaldelijk contact met de benzine en adem evenmin benzedampen in. Houd de benzine buiten het bereik van kinderen.

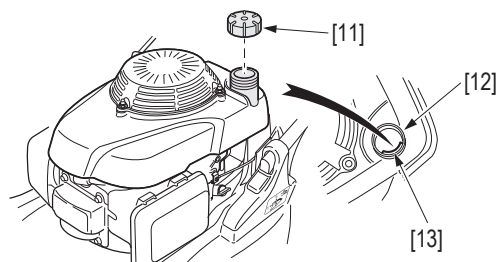
## VOORZICHTIG:

- Gebruik alleen recipiënten of kannen die specifiek voor koolwaterstoffen [10] zijn ontworpen.
- Gebruik nooit tweektarmengsels (benzine + olie).
- Gebruik alleen loodvrije benzine 95 of 98.
- Laat geen vuil in de benzinetank komen.
- Gebruik geen vervuilde benzine (water, stof, etc.). De kwaliteit van loodvrije benzine vermindert na verloop van tijd. Bewaar brandstof niet langer dan één maand (zie Blz 14).



## Benzinepeil controleren:

1. Neem dop [11] los en controleer het benzinepeil.
2. Vul de tank [12] na met benzine wanneer het benzinepeil laag is. De maximumstand wordt aangegeven door lip [13] na met benzine wanneer het benzinepeil laag is. De maximumstand wordt.
3. Aangegeven door lip [11] op de tank aan en schroef hem vast.



**NB:** Gebruik uitsluitend benzine. Vervangende brandstoffen kunnen het brandstofcircuit aantasten.

## BENZINE MET ALKOHOOL

Wanneer u een benzine/alcoholmengsel wilt gebruiken in een Honda maaier, moet het octaangetal tenminste even hoog zijn als dat, wat wij voorschrijven (86). Er bestaan twee soorten mengsel: het ene bevat ethyl-, het andere methylalcohol. Mengsels van het eerste soort mogen niet meer dan 10 % ethylalcohol bevatten. Mengsels van het tweede soort mogen geen methylalcohol (d.w.z. brandspiritus) bevatten als daar geen stabilisators en corrosiewerende stoffen bijgemengd zijn. Zijn deze additieven aanwezig, dan mag het alcoholgehalte niet groter zijn dan 5 %.

**NB:** Schade of vermogensverlies wegens gebruik van benzine/alcoholmengsels worden niet door onze garantie gedekt. Honda kan het gebruik van methylalcohol in de benzine niet aanraden aangezien zijn geschiktheid als brandstof tot nog toe niet is bewezen.

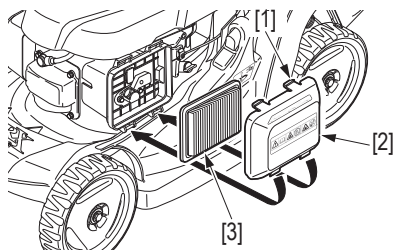
## LUCHTFILTER KONTROLEREN

### VOORZICHTIG:

- Gebruik de gazonmaaier nooit zonder het luchtfilter. Dit heeft een versneld slijten van de motor tot gevolg.

Kontroleer het luchtfilter als volgt:

1. Druk de haakjes [1] van het luchtfilterdeksel naar binnen en neem het deksel [2] weg.
2. Controleer of het filter schoon is. Als het filter [3] vuil is, dient het te worden gereinigd volgens de procedure beschreven in het hoofdstuk "Onderhoud" Blz 9.
3. Monteer het filter [3] en het deksel [2].



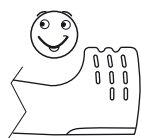
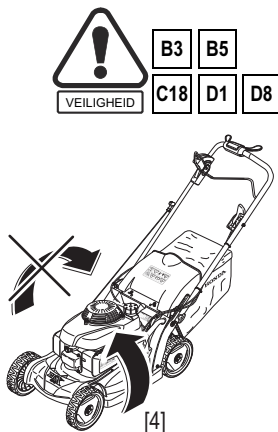
## MAAIMES KONTROLEREN

### VOORZICHTIG:

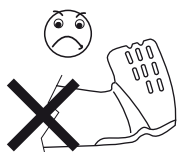
- Kijk aan welke kant de carburateur gemonteerd is (achter het luchtfilter). Draai de gazonmaaier nooit met de carburateur naar beneden gericht. Dit voorkomt dat u later moeilijkheden krijgt bij het starten van de motor.

Ga bij het controleren van het maaimes als volgt te werk:

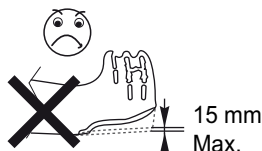
1. Zet de motor af.
  2. Neem de kap van de bougie.
  3. Kantel de maaier om naar rechts zodat de brandstofdop naar boven is gericht [4].
- Controleer of het mes tekens van slijtage vertoont. Het mes moet worden vervangen wanneer bijvoorbeeld de uithollingen bij elkaar komen, of wanneer er een barst zichtbaar is.



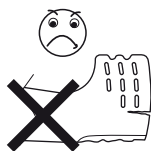
NORMAAL



VERBOGEN



STERK VERSLETEN



GESPLETEN

- Controleer of de mesbouten goed zijn aangehaald. (zie "Onderhoud" Blz 9).
- Raadpleeg het hoofdstuk "Onderhoud" Blz 9 voor het vervangen van het maaimes.

## ! WAARSCHUWING :

**Gebruik de gazonmaaier nooit met een versleten of beschadigd maaimes.**

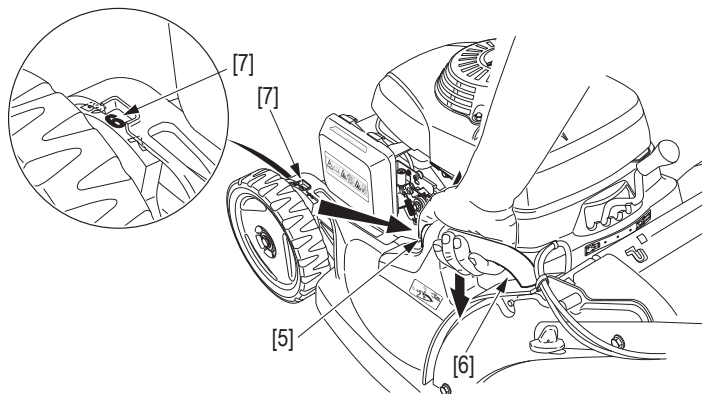
**Een afbrekend stuk mes kan met grote snelheid uitgeworpen worden en kan lichamelijk letsel veroorzaken.**

**NB:** Maaimessen slijten sneller wanneer het gazon op zand gezaaid is. Het spreekt vanzelf dat u in zo'n geval het mes vaker moet controleren.

## MAAIHOOGTE VERSTELLEN

Wijzigen van de maaihogte:

1. Stop de motor.
2. Houd de ontgrendelingsknop [5] ingedrukt en wijzig de maaihogte met behulp van de handgreep [6]. Een hoogte-indicator [7] bevindt zich ter hoogte van het linker voorwiel.

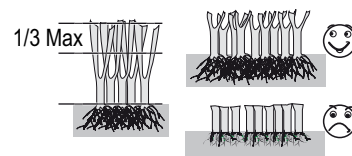


Onderstaande maaihogten hangen van de staat van het gazon en de ondergrond af. Voor nauwkeurig maaien stelt u de maaihogte, maait u een stuk, meet u het gras en stelt u eventueel de maaihogte na.

### NB:

- Maai in een maaibeurt niet meer dan 1/3 van de hoogte van het gras, anders zouden bruine vlekken ontstaan. Het maaieresultaat is er beter door en er bestaat minder kans op verstoppingen.
- Als het gras te lang is, moet u maaien in de voor de maaier hoogst mogelijke stand. Maai het gazon 2 of 3 dagen later opnieuw.

Standen	Hoogte (mm)
1	25
2	34
3	43
4	52
5	61
6	70
7	79



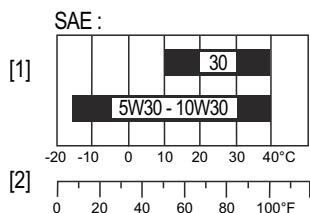
- De diepte van de wortels is recht evenredig met de hoogte van de grassprietten: hoe korter het gazon wordt gemaaid, des te korter de wortels van het gras zijn.
- Kies een maaihogte die aangepast is aan het gebruik van het gazon: speelgazon: 5 cm en meer, siergazon: 1 tot 3 cm.
- Slechts bepaalde gazonsoorten zijn tegen kort maaien bestand. Een te kort gemaaid gazon is kwetsbaar en droogtegevoelig. Vraag advies aan een specialist.

## OLIEPEIL KONTROLEREN

### VOORZICHTIG:

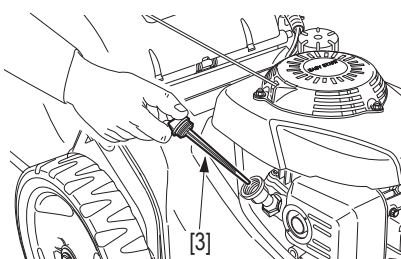
- Een goede smering is een eerste vereiste voor de goede werking van uw gazonmaaier, en is verder van grote invloed op zijn levensduur.
- Werken met te weinig olie kan de motor ernstig beschadigen. Wij schrijven het gebruik van een goede kwaliteit motorolie voor welke voldoet aan de API-specificatie SG of SF of beter. Kies een olie met een viscositeit die voor de gemiddelde buitentemperatuur geschikt is.

Soorten olie [1] afgestemd op de omgevingstemperatuur [2].

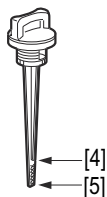


Ga bij het controleren van het oliepeil als volgt te werk:

1. Plaats de gazonmaaier op een vlakke, horizontale vloer.
2. Neem de dop van het carter. En verwijder de olie van de peilstok [3].
3. Steek de oliepeilstok in de het carter maar schroef hem niet in.



4. Trek de peilstok terug en kijk tot waar deze met olie bedekt is. Indien dit punt zich dicht bij het onderste merkteken [4] bevindt, dient u tot aan het bovenste merkteken olie na te vullen [5].
5. Draai de peilstok vast in de vulopening.



## INSTELLEN VAN DE MAAIMODUS

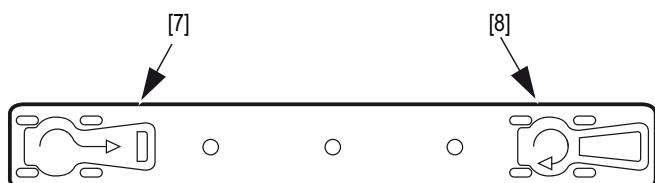
### INSTELLEN VAN DE VARIABELE MULCHING

Typen HYEА, VYEА:

1. Meskoppelingshendel los.

Typen PKEА, VKEА:

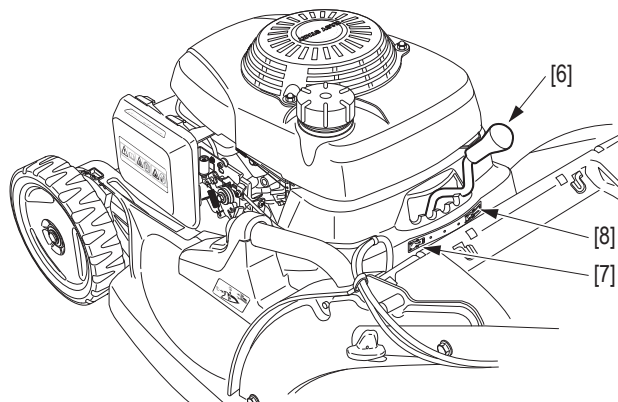
1. Laat de hendel van de motorrem los.
2. Plaats de bedieningsknop van de variabele mulching in een van de 5 standen, om het gewenste versnipperings- en uitwerpniveau te kiezen.



- **Stand "opvang" [7]:** het gemaaidе gras wordt aan de achterkant van de maaimachine uitgeworpen of in de grasvangzak opgevangen. Het maaisel wordt niet versnipperd.

- **Stand "versnipperen" [8]:** het gemaaidе gras wordt niet opgevangen in de grasvangzak, maar fijn versnipperd en op het grasveld teruggeblazen. Het versnipperde gras composteert en vormt een natuurlijke humus die voorziet in een kwart van de jaarlijks voedingsbehoeften van uw grasveld.

3. Voor het bepalen van de stand die optimaal aan uw behoeften tegemoetkomt, is het raadzaam een proef te doen. Monteer de grasvangzak en maai een stuk van het grasveld in stand "opvang" [7]. Bekijk het resultaat op het gras. Zet de knop [6] een positie meer naar rechts. Naarmate de knop meer naar rechts (naar "versnipperen" [8]) wordt verplaatst, wordt er meer gras gemaaid, versnipperd en over het grasveld verdeeld. Verander de stand van de bedieningsknop [6] tot het gewenste resultaat bereikt is.



### NB:

- Mulching is een natuurlijke bemestingstechniek. Het gras wordt niet meer opgevangen in de opvangzak, maar fijn vermalen en op het gazon achtergelaten.
- Naast zijn functie als bemesting, heeft mulching een beschermende werking op de grond, gaat het verdamping tegen tijdens droge periodes en biedt het een alternatief voor het opvangen / bijeenharken van het gras.

### UITWORP

Als u het gemaaidе gras niet bijeen wilt harken, kunt u de maaimachine zonder de grasopvangzak gebruiken. Het gemaaidе gras wordt dan aan de achterkant van de maaimachine uitgeworpen en via de steenbeveiliging op het grasveld gedeponneerd. De uitgeworpen hoeveelheid is afhankelijk van de stand van de bedieningsknop van de variabele mulching:

- maximum debiet in stand [7],
- geen debiet in stand [8].



# MOTOR STARTEN

## MOTOR STARTEN



### VOORZICHTIG:

- Overtuig u er eerst van dat de mes- en rijkoppelingen en in de rijstand staan.



[A]

**SNEL**

Herstarten van een warme motor.



[B]

**LANGZAAM**

Stationair.



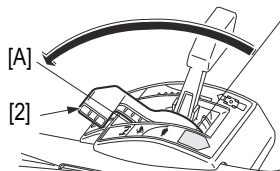
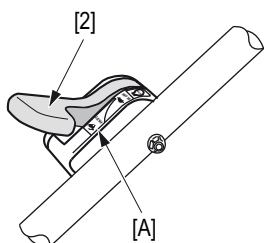
[C]

**UIT**

Motor af. (Modellen met Rotostop).

### Alle modellen:

1. Draai de benzinekraan open [1].
2. De gashendel [2] op "SNEL" zetten [A].

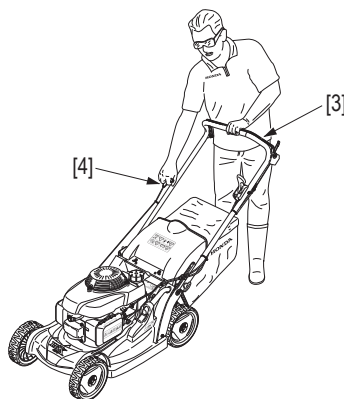


### Typen PKEA, VKEA:

3. Houdt de vliegwielremhendel [3] stevig tegen de duwboom gedrukt als u de motor start.

### Alle modellen:

4. Trek rustig aan het startkoord [4] tot u weerstand voelt en trek dan stevig door.



### NB:

- Laat het startkoord niet los, maar geleid het langzaam terug.
- Tijdens het maaien kan de gashendel in elk van de standen tussen "SNEL" [A] en "LANGZAAM" [B] worden geplaatst. De beste resultaten worden verkregen in de stand "SNEL" [A].

### Typen HYEА, VYEА:

Wanneer de gashendel in de stand "LANGZAAM" [B] wordt geplaatst en de meskoppeling ingeschakeld is, kan het voorkomen dat de motor afslaat.

Starten verloopt gemakkelijker met de gazonmaaier op vlakke grond met kort gras.

## STOPZETTEN VAN DE MOTOR

### Typen HYEА, VYEА:

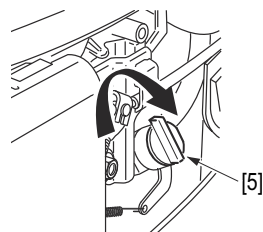
1. Zet het gashendel op "UIT" [C].

### Typen PKEA, VKEA:

1. Zet het gashendel op "LANGZAAM" [B].
2. Laat de hendel van de motorrem los.

### Alle modellen:

3. De benzinekraan dicht draaien op "UIT" [5].



## "VERZOPEN" MOTOR



Wanneer de motor na verscheidene startpogingen nog steeds niet starten wil, is hij waarschijnlijk "verzopen".

In dit geval gaat men als volgt te werk:

1. Plaats de gashendel in de stand "UIT" [C] (typen HYEА, VYEА).
2. Draai de bougie los en droog hem. Schroef de bougie vervolgens handvast. Trek hem met de bougiesleutel een achtste tot een kwartslag aan, zodat er geen lek optreedt.
3. Plaats de gashendel in de stand "SNEL" [A] en start de motor zoals dat onder "Motor starten" is aangegeven.

## PRAKTISCHE WENKEN

### GEBRUIK VAN DE GAZONMAAIER IN DE BERGEN

Wanneer de gazonmaaier in de bergen wordt gebruikt (1500 m boven NAP), is de standaardafstelling van het benzine/luchtmengsel te rijk, waardoor het motorvermogen lager is en het brandstofverbruik toeneemt.

Dit kan voorkomen worden door uw Honda-dealer een kleinere sproeier te laten monteren en de mengselstelbout te verstellen.

Ondanks veranderingen aan de carburateur vermindert het motorvermogen met 3,5 % per 300 meter stijging (meer wanneer er geen veranderingen aan de carburateur worden aangebracht).

### VOORZICHTIG:

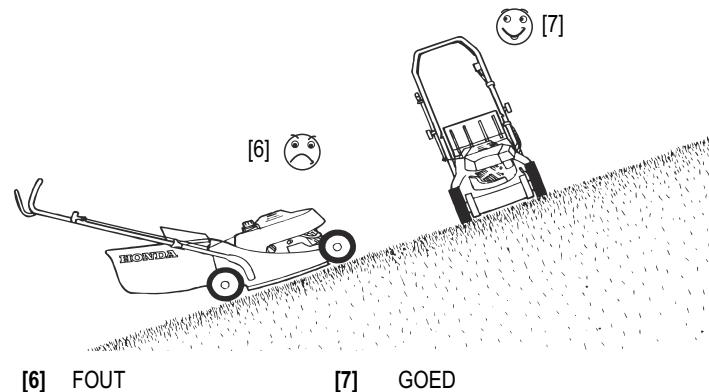
- Gebruik van de gazonmaaier op geringere hoogte dan waarvoor de carburateur is afgesteld heeft oververhitting wegens een te arm benzine/luchtmengsel ten gevolge, wat de motor ernstig kan beschadigen.

### ⚠ WAARSCHUWING :

Een motorgazonmaaier die op hellend of geaccidenteerd terrein niet met alle vier de wielen op de grond blijft, of niet goed aan de stuurboom wordt vastgehouden, kan kantelen. Het draaiende mes kan tot dan toe onder het maaidek verborgen gebleven stenen of andere voorwerpen wegslingeren, die u kunnen raken. Dus: beide handen aan de stuurboom en alle wielen op de grond!

### VOORZICHTIG:

- Stuur de gazonmaaier altijd om, en niet over obstakels heen. Als u over stenen of andere harde voorwerpen maait, is de kans groot, dat het maaimes wordt beschadigd.
- Bij het maaien van een helling of geaccidenteerd terrein, mag men zich niet door de maaier laten trekken: houdt de stuurboom stevig in beide handen en pas de maaisnelheid aan het terrein aan.



[6] FOUT

[7] GOED

**NB:** Indien de snelheid van de gazonmaaier te langzaam is bij het maaien van een helling, de schakelhendel heel voorzichtig een stukje naar de stand "SNEL" toe schuiven.

## MAAI-INSTRUKTIES



Lees de veiligheidsvoorschriften voor u met maaien begint.

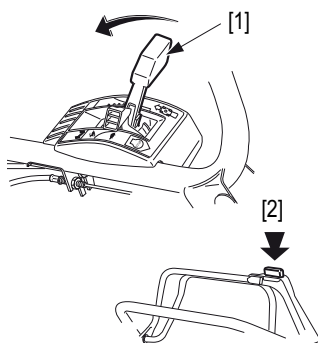
Type HYEА:

### ⚠ WAARSCHUWING :

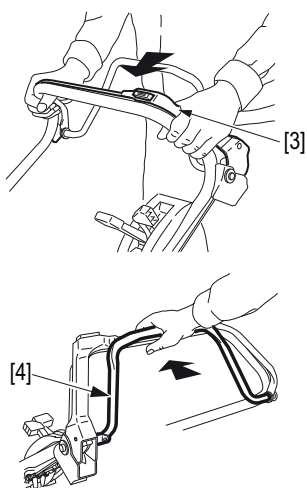
**Start de motor altijd met ontkoppelde rijkoppeling en meskoppelingshendel .**

**Starten metingeschakelde meskoppeling gaat moeilijker. Indien u start met ingeschakelde rijkoppelling zal de maaier gaan rijden zodra de motor wordt gestart.**

1. Stel de gewenste snelheid in met de versnellingshendel [1].
2. Ontkoppel het mes:
  - Door de gele knop [2] op de bovenkant van de meskoppeling [3] een keer in te drukken en hou de knop daarna ingedruwd tegen de hendel.



3. Laat de koppeling los wanneer de motor warm is:
  - De rijkoppelingshendel [4] werkt als snelheidsregelhendel, afhankelijk van hoever deze wordt ingeknepen. Het varieert de snelheid tussen 0 en de m.b.v. de versnellingshendel ingestelde snelheid. De maximumsnelheid wordt bereikt door beide hendels [3] en [4] geheel naar voren te duwen. Hoe hoger het te maaien gras, des te langzamer de machine moet rijden. Op die manier wordt de motor minder overbelast en verkrijgt u een beter maieresultaat.



4. Om de maaimachine te stoppen:
  - Laat de aandrijvingskoppelingshefboom [4] los.
5. Laat om het maaimes tot stilstand te brengen de:
  - Meskoppelingshendel [3] los.

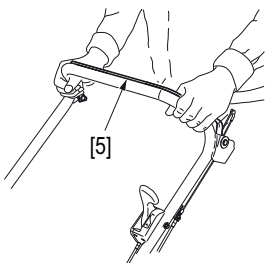
**NB:** Kan men de wielaandrijving uitschakelen bij het maaien in krappe ruimten. Anderzijds kan tevens de wielaandrijving worden ingeschakeld voor verplaatsingen van de maaier zonder het mes in te schakelen (paden, bloemperken enz.).

### VOORZICHTIG:

- Beweeg de inschakelhendel van het mes in één snelle beweging tegen de stuurboom, zodat het mes ofwel volledig ingeschakeld of volledig uitgeschakeld is. Indien u de hendel te langzaam beweegt kan dit afslaan van de motor en/of snelle slijtage van de rostopplaat tot gevolg hebben.

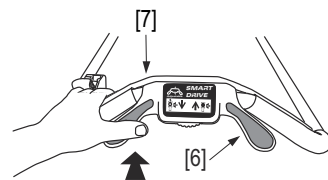
Type PKEA:

**NOTE:** Als u, de motorremhendel [5] loslaat stopt het mes, en ook de motor.



Type VKEA:

1. Laat de koppeling [7] los wanneer de motor warm is:
  - Druk voorzichtig de Smart Drive [6] in om de voorwaartse beweging van de maaimachine te starten.
  - De snelheid van de maaimachine rijdt neemt toe naarmate u de Smart Drive verder indrukt.
  - Druk de Smart Drive in tot u de gewenste snelheid bereikt. In de gekozen stand kan de snelheid beïnvloed worden door verschillende factoren, zoals de terreingesteldheid, de hoogte van het gras, de helling en het gewicht van de grasopvangzak. Met behulp van de Smart Drive kunt u de gewenste snelheid behouden, ondanks de voortdurend veranderende maai-omstandigheden.
2. Om de maaimachine te stoppen:
  - Laat de knop van de Smart Drive [6] los.
3. Laat om het maimes tot stilstand te brengen de:
  - Meskoppelingshendel [7] los.



**NB:** Als u, de motorremhendel loslaat stopt het mes, en ook de motor.

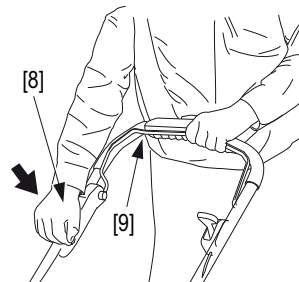
Type VYEA:

### ⚠ WAARSCHUWING :

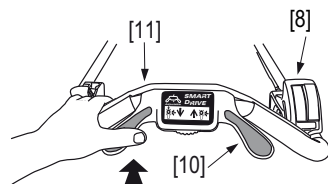
**Start de motor altijd met ontkoppelde rijkoppeling en meskoppelingshendel .**

**Starten metingeschakelde meskoppeling gaat moeilijker. Indien u start met ingeschakelde rijkoppelling zal de maaier gaan rijden zodra de motor wordt gestart.**

1. Ontkoppel het mes:
  - Druk de ontgrendelingsknop [8] in en houd hem ingedrukt.
  - Trek de meskoppelingshendel naar u toe [9].
  - Laat de ontgrendelingsknop [8] los wanneer de messen ingeschakeld zijn.



2. Laat de koppeling los wanneer de motor warm is:
  - Druk voorzichtig de Smart Drive [10] in om de voorwaartse beweging van de maaimachine te starten.
  - De snelheid van de maaimachine rijdt neemt toe naarmate u de Smart Drive verder indrukt.
  - Druk de Smart Drive in tot u de gewenste snelheid bereikt. In de gekozen stand kan de snelheid beïnvloed worden door verschillende factoren, zoals de terreingesteldheid, de hoogte van het gras, de helling en het gewicht van de grasopvangzak. Met behulp van de Smart Drive kunt u de gewenste snelheid behouden, ondanks de voortdurend veranderende maai-omstandigheden.
3. Om de maaimachine te stoppen:
  - Laat de knop van de Smart Drive [10] los.
4. Laat om het maimes tot stilstand te brengen de:
  - Meskoppelingshendel [11] los.



**NB:** Kan men de wielaandrijving uitschakelen bij het maaien in krappe ruimten.

Anderzijds kan tevens de wielaandrijving worden ingeschakeld voor verplaatsingen van de maaier zonder het mes in te schakelen (paden, bloemperken enz.).

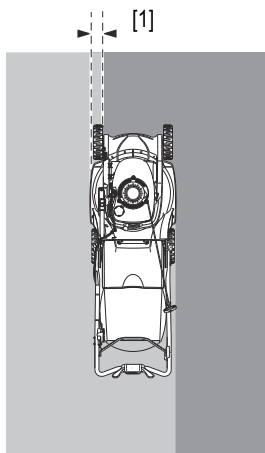


### VOORZICHTIG:

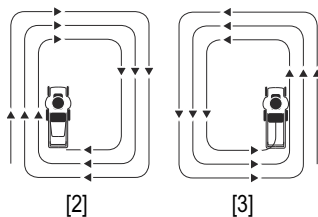
- Beweeg de inschakelhendel van het mes in één snelle beweging tegen de stuurboom, zodat het mes ofwel volledig ingeschakeld of volledig uitgeschakeld is. Indien u de hendel te langzaam beweegt kan dit afslaan van de motor en/of snelle slijtage van de rotostopplaat tot gevolg hebben.

### NB:

- Maaifrequentie: 1 keer per week voor een speelgazon, 2 keer voor een siergazon.
- Bij voorkeur 's namiddags of 's avonds maaien vóór het gieten want het gras moet droog zijn. In geval van een stoffige ondergrond, dient men te maaien wanneer het gras droog maar de grond nog vochtig is.
- Kies een maaihogte die aangepast is aan het terrein (zie Blz 5).
- Voor een regelmatig maaieresultaat moet de maaibaan het reeds gemaaide gedeelte met enkele centimeters [1] overlappen, en hoe hoger het te maaien gras, des te breder deze overlappingszone moet zijn.
- Volg de voorgestelde weg om een maximaal efficiënt resultaat te bereiken.
- Als uw terrein niet regelmatig is van vorm of veel hindernissen bevat, verdeelt u het best in percelen waarbinnen u in de aanbevolen richting kunt maaien:



- [2] Met opvang: draai in wijzerzin om zo efficiënt mogelijk te werken.
- [3] Met een mulchkit (zie Blz 15): draai in tegenwijzerzin.



### GRASVANGZAK LEDIGEN

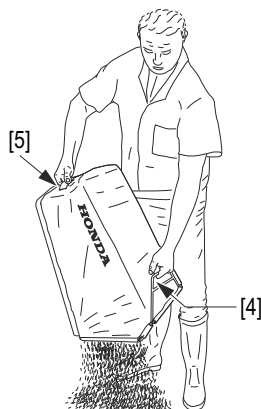
Een volle grasvangzak is gemakkelijk te herkennen: hij wordt niet langer bolgeblazen en het maaien verloopt ook minder efficiënt. Bij het ledigen van de grasvangzak gaat men als volgt te werk.

#### Typen HYEA, VYEA:

1. Meskoppelingshendel los.

#### Typen PKEA, VKEA:

1. Laat de hendel van de motorrem los.
2. Demonteer de grasvangzak (zie Blz 4).
3. Ledig de grasvangzak als volgt:
  - Pak de grasvangzak bij de metalen handgreep beet [4].
  - Keer de zak om met handgreep [5].



### VOORZICHTIG:

- Rottend tuinvuil ontwikkelt warmte. Wanneer het langdurig in de grasvangzak of in een schuur of garage wordt opgeslagen, ontstaat er brandgevaar.

### WAARSCHUWING :

Voor u met maaien begint dient u te controleren dat de grasvangzak goed gesloten en vergrendeld is (Uitwerpkap).

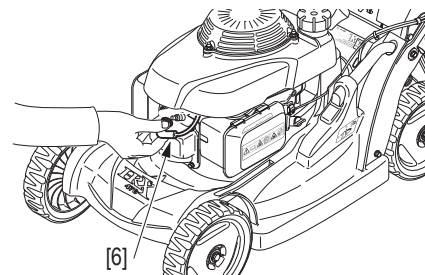
## ONDERHOUD

Een regelmatig onderhoud verlengt de levensduur van uw gazonmaaier.



### WAARSCHUWING :

Neem de kap van de bougie [6] voor u aan onderhoudswerkzaamheden begint. U voorkomt zo bij voorbaat onbedoeld starten.



### VOORZICHTIG:

- De motor en de uitlaat worden tijdens het maaien heet. Houd brandbare stoffen en materialen dus verre van de gazonmaaier.
- Wacht met reparatie of onderhoud tot de machine volledig is afgekoeld. Over het algemeen is een kwartier voldoende.

**NB:** Om een langere levensduur en efficiënter gebruik te waarborgen, dient de onderkant van de maaier schoon en vrij van aanhangend gras te worden gehouden. Verwijder eventueel aanhangend gras met behulp van een schraper en borstel. Reinig uw maaier voordat u deze in opslag zet.

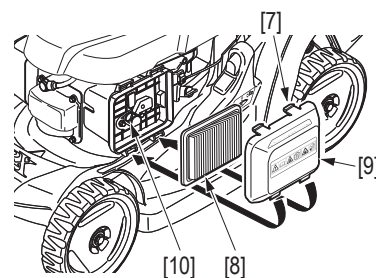
### ONDERHOUD LUCHTFILTER

Als het luchtfilter vuil is, zuigt de carburateur minder lucht aan en loopt het motorvermogen terug. Controleer het filter dus regelmatig.

### WAARSCHUWING :

Gebruik nimmer benzine of oplosmiddelen om het filter te reinigen - u kunt er brand en zelfs een explosie mee veroorzaken.

1. Druk de haakjes [7] van het luchtfilter deksel naar binnen en neem het deksel weg [9].
2. Controleer het luchtfilter [8] en vervang het filter indien het beschadigd is.
3. Klop het filter uit op een harde ondergrond om het vuil te verwijderen of blaas met perslucht (druk niet boven 2,1 kg/cm<sup>2</sup>, 30 psi) het filter door vanaf de schone kant.



**NB:** Gebruik nooit een borstel om het filter [8] te reinigen, hiermee druk je het vuil alleen maar vaster tussen de vezels.

4. Veeg het vuil van de binnenkant van het deksel en het luchtfilterhuis met een vochtige doek [9].

**NB:** Zorg dat er geen vuil in het luchtfilterhuis komt [10].

5. Monteer de filters [8] en het deksel [9].

## OLIE VERVERSEN

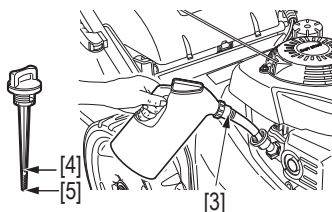
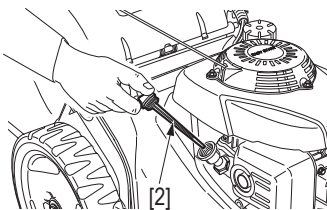
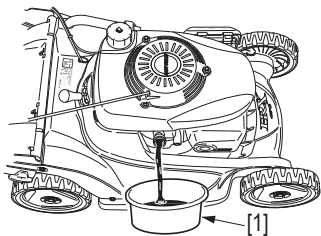
Olie kan men het best (en snelst) verversen terwijl de motor nog warm is.



### VOORZICHTIG:

- *Bij langdurig contact kan afgewerkte olie huidkanker veroorzaken. Tenzij u jarenlang dagelijks met afgewerkte olie bezig bent, zult u weinig risico lopen. Het is niettemin maar beter, na het olie verversen de handen grondig met water en zeep te reinigen.*

1. Zet de maaimachine op de rechterkant.
2. Zet een blik of bak onder de olievlopening [1].
3. Neem de aftapdop [2] los.
4. Monteer de aftapdop en zet deze vast wanneer er geen olie meer uit de opening komt.
5. Zet de machine weer op zijn wielen en vul het carter met olie [3] tot aan de bovenstreef op de oliepeilstok [4]. Gebruik voorgeschreven olie (zie Blz 6).
6. Schroef de vuldop vast.



**NB:** Gooi afgewerkte olie nooit zomaar weg, want dat draagt alleen maar bij tot grondwatervervuiling. Doe het in een oud blik en geef dat af aan een benzinstation dat voor recycling zorgen kan. Dus: niet in de vuilnisbak, niet in het riool en niet ergens in de tuin.

## ONDERHOUD VAN DE BOUGIE

Aanbevolen bougie: NGK - BPR5ES

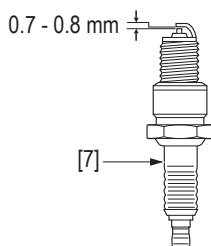
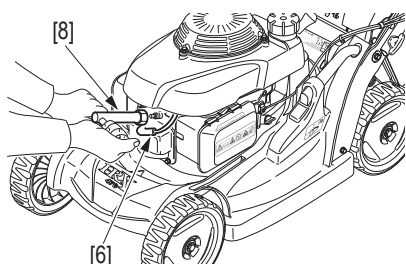
### VOORZICHTIG:

- *Gebruik uitsluitend de door ons voorgeschreven bougies. Andere kunnen de motor beschadigen.*

### ⚠ WAARSCHUWING :

**Wacht met het losnemen van de bougie tot de motor en de uitlaat zijn afgekoeld. Ga bij het losnemen van de bougie als volgt te werk.**

1. Neem de bougiekap [6] los. Plaats een bougiesleutel [7] op de bougie [8] en draai de bougie los.



2. Inspecteer de bougie zorgvuldig. Wanneer het isolerend gedeelte stuk of gebarsten is, moet de bougie worden vervangen. Een niet al te oude of ingebrande bougie kan ontkoold worden. Oudere bougies kunnen beter vervangen worden.
3. Meet de afstand tussen de elektroden met een voelmaatje. De juiste afstand ligt tussen 0,7 en 0,8 mm. Een te grote afstand kan met voorzichtig tikken met een kleine hamer worden nagesteld.
4. Controleer de afdichtingsring. Schroef de bougie vervolgens handvast in de cilinderkop.
5. Een nieuwe bougie moet ongeveer een halve slag met de bougiesleutel worden aangetrokken om de afdichtingsring op zijn plaats te persen. Een oude bougie heeft aan een achtste slag voldoende.
6. Plaats de kap op de bougie.

### VOORZICHTIG:

- *Bougies moeten altijd goed worden aangetrokken - gebruik dus de bougiesleutel. Een lostrillende bougie kan te heet worden en de cilinderkop beschadigen.*

## ONDERHOUD DE VONKENVANGER (OPTIE)

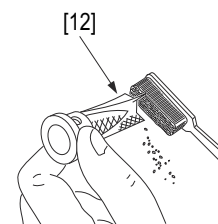
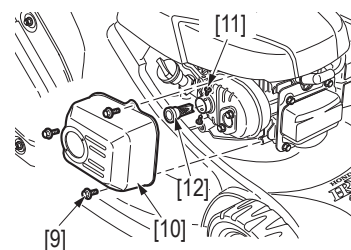


(In Europa en andere landen waar de richtlijn 2006/42/EC betreffende machines van kracht is, zal dit schoonmaken gedaan moeten worden door uw officiële dealer voor onderhoud).

### ⚠ WAARSCHUWING :

**Wacht tot de motor en de uitlaat zijn afgekoeld. Het is in sommige landen verboden, een motormaaier te gebruiken die niet van een vonkenvanger voorzien is.**

1. Demonteer de 3 bouten [9] van de uitlaatbeschermpap [10] en verwijder de beschermkap.
2. Demonteer de 2 schroeven [11] van de vonkenvanger [12] en neem de vonkenvanger uit de demper.
3. Controleer de vonkenvanger en de uitlaatdemper op koolafzetting. Verwijder de eventuele afzetting met een koper- of staalborstel.
4. Vervang de vonkenvanger indien deze beschadigd is.
5. Monteer de vonkenvanger [12] en de beschermkap [10].



## CARBURATEUR AFSTELLEN



### VOORZICHTIG:

- Raden wij u aan deze afstelling door uw Honda dealer uit te laten voeren.

**Normaal toerental stationair: 1 700 ± 150 omw./min.**

**Afgesteld gebruikstoerental: 2 800 <sup>+0</sup>/<sub>-100</sub> omw./min.**

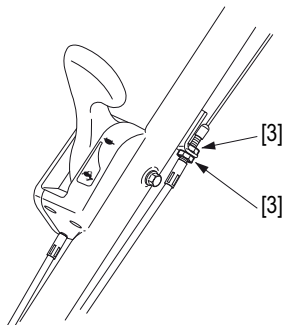
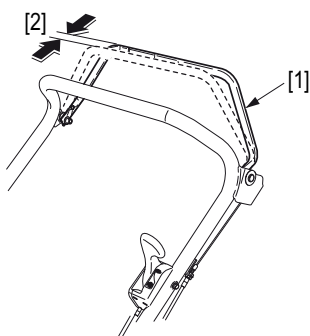
## MOTORREMKABEL-AFSTELLING

### Type PKEA:

1. Schakel de motor uit en verwijder de bougiekap.
2. Laat de vliegwieleremhefboom [1] los en trek aan het trekstarterkoord om te zien of de trekstarter veel weerstand biedt.

### Indien niet:

3. Meet de afstand tussen het eind van de hefboom en de handle [2]; deze moet [1] (30 tot 35 mm maximum) bedragen.
4. Wanneer nastellen noodzakelijk is, los dan de borgmoeren [3] en stel deze na. Draai de moeren vast en meet de afstand opnieuw.
5. Start de motor en laat de mesremhendel los. Zodra u de hendel loslaat moet de motor afslaan en het mes stoppen. Is dit niet het geval dan moet u uw maaier ter controle en reparatie aanbieden bij uw Honda-dealer.

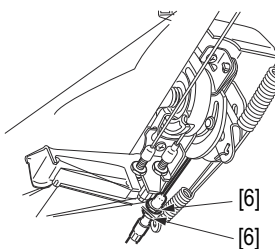
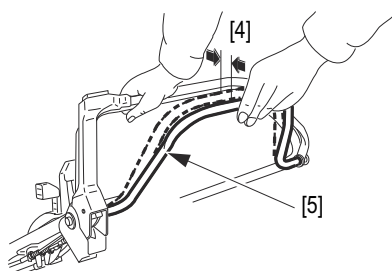


## KOPPELINGSKABEL AANDRIJVING NASTELLEN

### Type HYEА:

Meet de speling [4] van de hendel [5], als op de tekening is aangegeven.

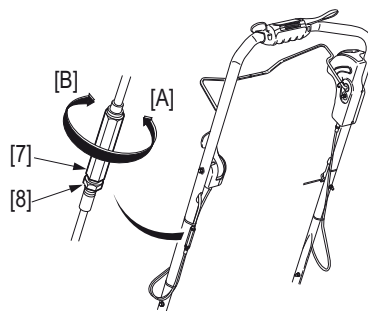
1. Zet de versnellingshendel in de stand van de hoogste versnelling en schroef de borgmoeren [6] los.
2. De kabel ontspannen of aanspannen naargelang vereist om een speling van 1 à 5 mm te bereiken.
3. Draai de borgmoeren [6] vast en meet de speling [4].
4. Rijd de gazonmaaier naar buiten, start de motor en probeer de koppeling.



### Type VYEA:

Voer deze procedure uit terwijl de wielen op een horizontaal vlak rusten.

1. Maak de borgmoer [8] van de Smart Drive-koppelingskabel los.
2. Start de motor.
3. Zonder de Smart Drive-greep in te schakelen, draait u de stelschroef van de koppelingskabel [7] in de richting van "VOORUIT" [A] totdat de maaimachine gewoon vooruit begint te bewegen.
4. Draai de stelschroef van de koppelingskabel 1 ~ 2 slagen richting "STOP" [B].
5. Maak de borgmoer van de koppelingskabel los.
6. Controleer of het Smart Drive-systeem goed werkt.



### Alle modellen:

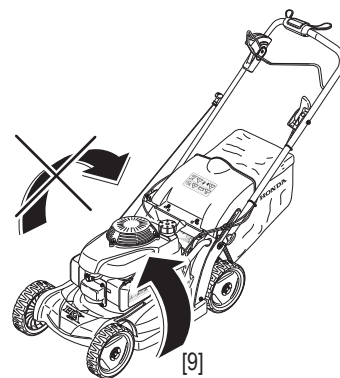
**NB:** Wanneer de koppeling niet goed functioneert al heeft u de speling toch goed afgesteld, dan kan er sprake zijn van een defect. Breng uw machine dus naar uw Honda-dealer voor inspectie.

## MAAIMES MONTEREN EN DEMONTEREN

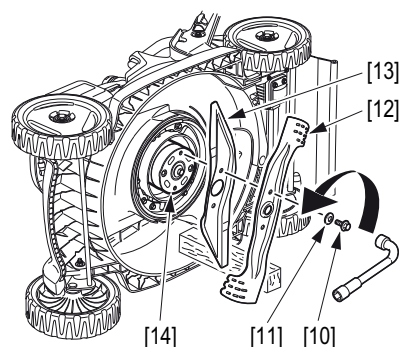


### DEMONTEREN

1. Plaats de gashendel in de stand "UIT", en neem de bougie kap los (modellen uitgevoerd met Rotostop).
2. Draai de brandstofkraan "DICHT". Verwijder de kap van de bougie en zet de maaier op zijn rechterkant.
3. Zet de gazonmaaier op de rechterkant, met de carburateur naar boven [9].
4. Zet het maimes vast met een blok hout om te voorkomen dat het gaat draaien.



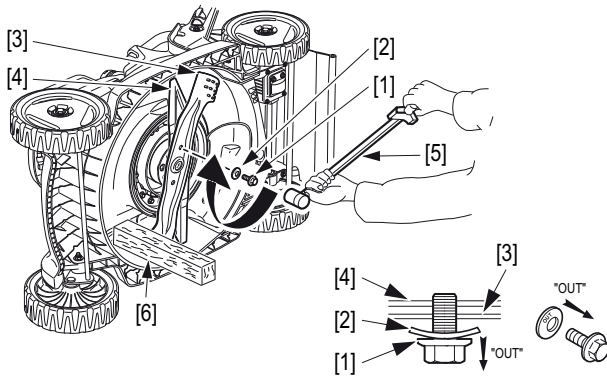
- Gebruik een pijpsleutel (14 mm) en verwijder de twee bouten [10] en de speciale ringetjes [11] van de aandrijfas [14].
5. Verwijder het bovenste [13] en het onderste molmmes [12].



## MONTEREN

1. Verwijder eventueel vuil en gras van de aandrijfas.
2. Monteer het mes(stel) [3] [4] met de bouten [1] en de speciale ringetjes [2], zoals getoond in de illustratie. Monteer de speciale ringen met de bolle kant, gemerkt "OUT", naar de schroefkop. De bouten zijn speciaal ontworpen voor deze toepassing. Gebruik onder geen beding andere bouten.
3. Draai de bouten vast met een momentsleutel [7]. Zet het mes(stel) vast met een houten blok [6] om te voorkomen dat het gaat draaien.

**Boutmoment: 49 ~ 59 Nm**



### VOORZICHTIG:

- Als u geen momentsleutel bezit, laat het mes dan door uw Honda-dealer vervangen.
- Te vast aangehaalde bouten kunnen het mes breken. Te los aangehaalde bouten trillen los, met alle gevaarlijke gevolgen van dien.

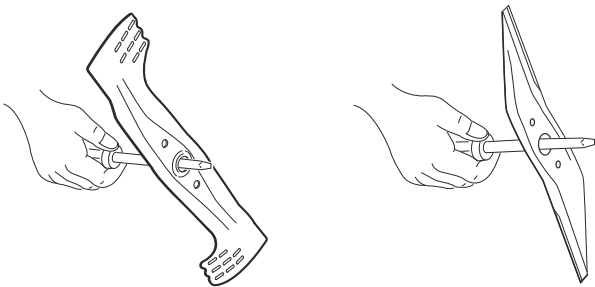
### ⚠ WAARSCHUWING :

Als deze maaier met slechts één snijblad gebruikt wordt, zal het blad niet goed vastzitten, en kan het uit de maaier geworpen worden. Dit kan leiden tot ernstige verwondingen of de dood van mensen.

Gebruik altijd beide snijbladen als een set.

**NB:** Kantel de machine nooit met de carburateur. Omlaag, het zal het starten bemoeilijken.

## VERVANGEN



### VOORZICHTIG:

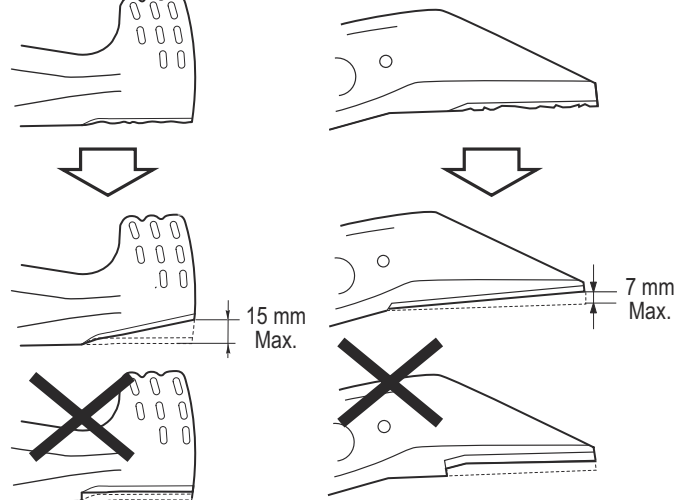
- Het mes moet goed in evenwicht zijn om mooi te kunnen maaien. Vervang dus elk mes dat is beschadigd of waarvan het evenwicht sterk is verstoord.
- Vervang een versleten mes altijd door een nieuw Honda-mes.

## SLIJPEN VAN HET MES

1. Slijp de snijkanten van het mes met behulp van een vijl. Slijp alleen het bovenste gedeelte. Houd goed de originele schuine hoek aan zodat een scherpe snijkant ontstaat. Wij bevelen aan om de twee uiteinden van het mes gelijkmatig te slijpen om het mes goed in evenwicht te houden.
2. Controleer na het slijpen of het mes in evenwicht is; gebruik hiervoor een schroevendraaier en ga te werk zoals in de figuur staat aangegeven. Indien een van de twee kanten iets naar beneden gaat dan moet daar opnieuw worden geslepen. Indien het evenwicht erg is verstoord, kan het mes beter worden vervangen.

### VOORZICHTIG:

- Naslijpen is niet zo gemakkelijk als het lijkt, want het mes mag zijn balans niet verliezen. Het beste is, naslijpen door uw Honda-dealer te laten doen.



## REINIGEN OF VERVANGEN GRASVANGZAK

### REINIGEN

### VOORZICHTIG:

- Gebruik bij het reinigen van de grasvangzak geen hogedrukstoom o.i.d. aangezien dit de zak onherstelbaar beschadigt.
- Wanneer de mazen verstopt zijn, is de zak onbruikbaar en moet gereinigd worden.
- Reinig de grasvangzak met de tuinspuit. Goed laten drogen voor u hem op de machine monteert en gebruikt.



### ⚠ WAARSCHUWING :

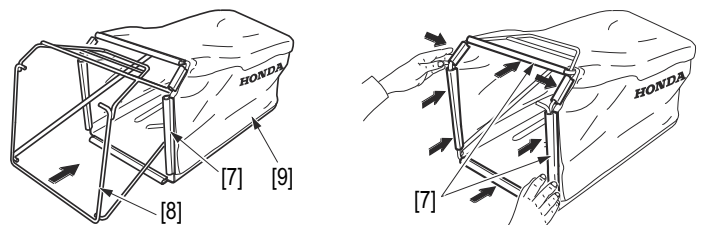
Een gescheurde of beschadigde grasvangzak beschermt u in geen geval tegen een door het mes met grote kracht uitgeworpen steen of hard voorwerp.

Vervang een versleten of gescheurde zak dus voor u begint te maaien.

### VERVANGEN

Een grasvangzak slijt onder normale omstandigheden. Controleer hem dus regelmatig op rafelen of scheuren. Vervang de grasvangzak altijd met een zak van Honda-fabriekaat.

1. Neem de plastic randen [7] van de zak [9] los en neem deze van het frame [8].
2. Plaats de nieuwe grasvangzak op het frame en breng de plastic [7] randen aan.



## ONDERHOUDSSCHEMA

Onderdeel	Werkzaamheden	Tussenpozen				
		Vóór elk gebruik	Na 1 maand of 5 uren	Na 3 maand of om de 25 uur	Na 6 maand of om de 50 uur	Om de jaar of om de 100 uur
Motorolie	Kontroleren het peil					
	Vervangen				(1)	
Luchfilter	Kontroleren					
	Reinigen			(1)		
	Vervangen					(1)
Grasvangzak	Reinigen					
Vastzetten van debouten van het mes	Kontroleren					
Bougie	Kontroleren					
	Reinigen					
Vonkenvanger (Optie)	Reinigen				(6)	
Kabel van de ROTOSTOP (3)	Kontroleren		(2)		(2)	
	Aanpassen indien nodig		(2)		(2)	
Motorremkabel (4)	Kontroleren					
	Aanpassen indien nodig		(2)		(2)	
ROTOSTOP (3)	Kontroleren		(2)		(2)	
Versnellingskabel (5)	Kontroleren					
Gaskabel	Kontroleren		(2)		(2)	
	Aanpassen indien nodig		(2)		(2)	
Klepspelning	Aanpassen indien nodig					(2)
Benzinetank en filter	Reinigen				(2)	
Benzine-slangen	Kontroleren (en eventueel vervangen)	Elke 2 jaar (2)				
Vliegwiel rem schoen (4)	Kontroleren			(2)		
V-snaar (5)	Kontroleren				(2)	
Maaidek	Reinigen					

- (1) Verhoog de frequentie als de maaier in een stoffige omgeving of bij hoge omgevingstemperatuur wordt gebruikt.
- (2) Dit onderhoud moet worden uitgevoerd door een erkende Honda dealer.
- (3) Typen HYEА, VYEА
- (4) Typen PKEА, VKEА
- (5) Typen HYEА, VKEА, VYEА
- (6) In Europa en andere landen waar de richtlijn 2006/42/EC betreffende machines van kracht is, zal dit schoonmaken gedaan moeten worden door uw officiële dealer voor onderhoud.

## STORINGZOEKEN

### MOTOR START NIET

Mogelijke oorzaak	Oplossing
Brandstofkraan is OFF (gesloten).	Draai brandstofkraan ON (geopend) (Blz 7).
Gashendel in verkeerde stand.	Zet gashendel op "SNEL" (Blz 7).
Benzine is op.	Vul benzine bij (Blz 4).
Benzine is oud; maaier opgeborgen zonder benzine af te tappen of te behandelen, of bijgetankt met oude benzine.	Vul bij met nieuwe benzine (Blz 4).
Bougie kapot, vuil of te grote elektrode-afstand.	Vervang, ontkool bougie of stel elektrode bij (Blz 10).
Bougie nat van benzine (verzopen carburateur).	Laat bougie eerst drogen, start motor met gas-hendel op "SNEL".
Ontluchtingsopening van de brandstoftank verstopt, carburateur vuil of ontsteking defect.	Dit onderhoud moet worden uitgevoerd door een erkende Honda dealer.
De motorremhendel is niet volledig tegen de stuurboom getrokken (Modellen zodanig uitgevoerd).	De motorremhendel stevig tegen de stuurboom gedrukt houden bij het starten van de motor (Blz 11).

### VERMOGEN DAALT

Mogelijke oorzaak	Oplossing
Gashendel staat niet op "SNEL".	Zet gashendel op "SNEL". (Blz 7).
Het gras is te lang voor de maaihoogte.	Vermeerder maaihoogte (Blz 5), maai smallere strook (Blz 9), of maai vaker. Stel de maaiselrichterknop.
Maaidek verstopt.	Reinig het maaidek (Blz 11).
Luchfilter is verstopt.	Reinig of vervang de luchfilter (Blz 9).
Benzine is oud; maaier opgeborgen zonder benzine af te tappen of te behandelen, of bijgetankt met oude benzine.	Vul bij met nieuwe benzine (Blz 4).
Ontluchtingsopening van de brandstoftank verstopt, carburateur vuil of ontsteking defect.	Dit onderhoud moet worden uitgevoerd door een erkende Honda dealer.

### MAAI- EN VERZAMELPROBLEMEN

Mogelijke oorzaak	Oplossing
Machinesnelheid te laag om goed te kunnen maaien.	Zet gashendel op "SNEL". (Blz 7).
Maaier gaat te snel voor de conditie van het gazon.	Kies een lager toerental (indien voorzien op model) of duw de grasmaaier minder hard.
Grasvangzak te vol of verstopt.	Leeg graszak. Reinig graszak als deze vuil is (Blz 9 en 12).
Maaidek verstopt.	Reinig het maaidek (Blz 11).
Mes(stel) bot, versleten of beschadigd.	Slijp of vervang mes(stel) (Blz 12).
Verkeerd mes(stel) gemonteerd.	Monteer het juiste mes(stel) (Blz 12).

### OVERMATIGE TRILLING

Mogelijke oorzaak	Oplossing
Mes(stel) los, verbogen, beschadigd, of uit evenwicht na slijpen.	Draai losse mesbout(en) vast. Vervang beschadigd mes(stel) (Blz 12).
Mechanische schade, bijv. verbogen krukas.	Dit onderhoud moet worden uitgevoerd door een erkende Honda dealer.

# WINTERBERGING

## VOORBEREIDINGEN

Wanneer de gazonmaaier langer dan een maand niet gebruikt zal worden of voor de winter wordt weggezet, dient u de onderstaande werkzaamheden uit te voeren.

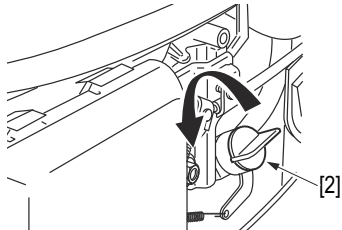



### ⚠ WAARSCHUWING :

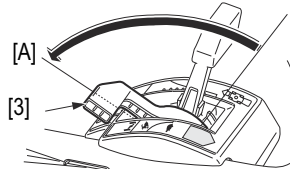
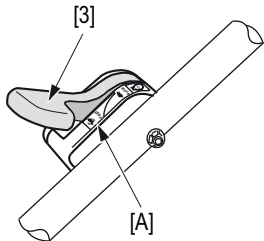
**Wacht met het legen van de benzinetank tot de motor en de uitlaat volkomen zijn afgekoeld.**

1. Leeg de benzinetank, de benzine- leidingen en de vlotterkamer van de carburateur in een jerrycan [1]:

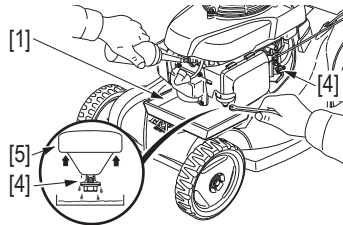
- a. Draai de benzinekraan open [2].



- b. Zet de gashendel [3] in de "SNEL" stand [A] .



- c. Draai de carburateur aftapbout [4] los (1/4 tot 1/2 slag maximaal).
- d. Druk de vlotterkamer [5] omhoog voor het aftappen van de brandstof.



- e. Sluit de benzinekraan monteer de aftapplug en zet deze vast [2].



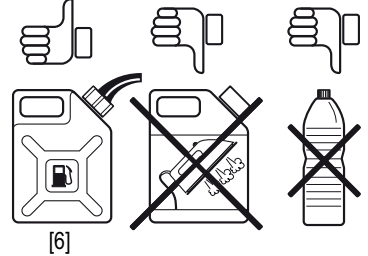
2. Ververs de olie (zie Blz 10).
3. Trek aan het starterkoord tot u weerstand voelt om de kleppen te sluiten en de motor tegen stof en corrosie te beschermen.
4. Olie onderdelen die kunnen roesten spaarzaam in. Dek de gazonmaaier af en plaats hem in een droge, stofvrije schuur of garage. Gebruik geen plastic om de machine af te dekken, aangezien eventueel vocht condenseert en niet kan worden afgevoerd.

**NB:** Indien de gazonmaaier langer dan 3 maanden niet wordt gebruikt, neem dan de bougie los en giet 5 bij 10 cm<sup>3</sup> schone olie in de cilinder en trek langzaam 2 à 3 maal aan het starterkoord om de olie te verspreiden. Berg de machine nooit staande op de zijkant op: starten is later dan moeilijk omdat de olie het luchtfilter kan verstopen.

## OPSLAG VAN BRANDSTOF

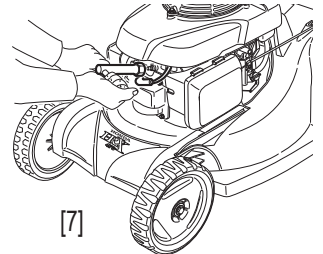
### NB:

- Benzine verouderd tijdens de opslag. Oude benzine veroorzaakt startproblemen harsafzetting waardoor de brandstofvoeder verstopt raakt. Als de benzine in uw motor tijdens de berging verouderd, moeten de carburateur en andere onderdelen van de brandstofvoeder mogelijk gerepareerd of vervangen worden.
- Gebruik alleen recipiënten of kannen die specifiek voor koolwaterstoffen [6] zijn ontworpen. Zo voorkomt u verontreiniging van de benzine door de oplossing van de wanden van het recipiënt, waardoor de motor slecht gaat functioneren.
- Bewaar de brandstof op een donkere plaats in een ruimte zonder temperatuurschommelingen (bij voorkeur niet in een schuur of tuinhuisje).
- Een verstopte carburateur of kleverige kleppen door verouderde of verontreinigde benzine zijn niet door de waarborg gedekt.
- De kwaliteit van loodvrije benzine vermindert snel (2 à 3 weken in sommige gevallen), gebruik daarom geen benzine van meer dan een maand oud. Sla niet meer brandstof op dan het strikte minimum voor één maand.

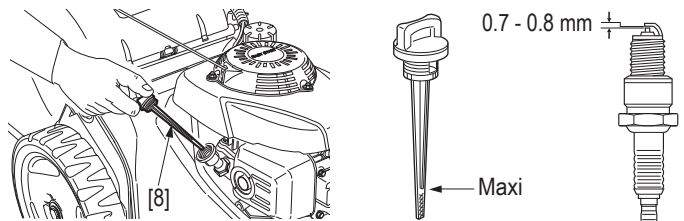


## UIT DE WINTERBERGING HALEN

1. Neem de bougie los [7], controleer of deze schoon is en de afstanden tussen de elektroden juist is. Trek een paar keer aan het starterkoord om eventueel vuil uit te werpen.



2. Draai de bougie handvast aan en voorts met de bougiesleutel goed vast (een achtste tot een kwartslag is voldoende).
3. Controleer de smeerolie op vuil en vervolgens het oliepeil [8].



4. Vul de benzinetank en start de motor.

**NB:** Indien u voor winterberging olie in de cilinder heeft gegoten, zal de motor even roken, maar dat is volkomen normaal.

# VERVOER

## TBEREID DE GAZONMAAIER ALS VOLGT OP VERVOER VOOR

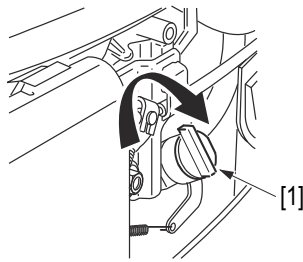


### WAARSCHUWING :

Zet de machine niet op de kant om hem te vervoeren. Lekkende benzine en olie kunnen brand veroorzaken.

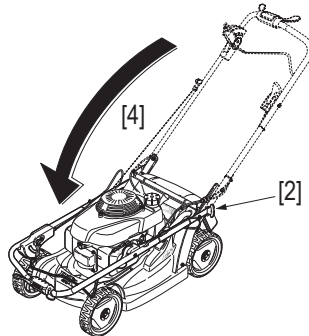
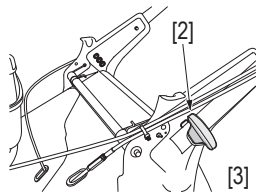
Bereid de gazonmaaier als volgt op vervoer voor:

1. Plaats de gashendel in de stand "UIT" (behalve typen PKEA, VKEA).
2. Neem de bougiekap los.
3. Sluit de benzinekraan [1].



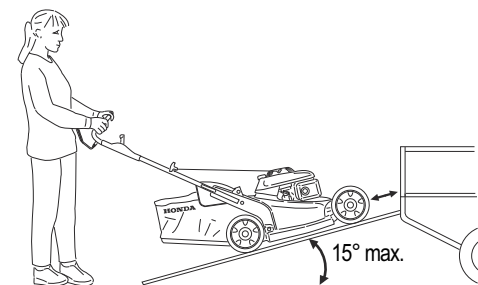
Bij plaatsgebrek:

1. Demonteer de grasvangzak (zie Blz 12).
2. Draai de knop voor het inklappen/instellen van de stuurboom [2] een kwart slag in ontgrendelde stand [3].
3. Klap de stuurboom [4] in.



**NB:** Wanneer de stuurboom naar voren geklapt wordt, kijk dan of er geen kabels klem zitten, te strak gespannen zijn of knikken.

## LADEN VAN DE MAAIER



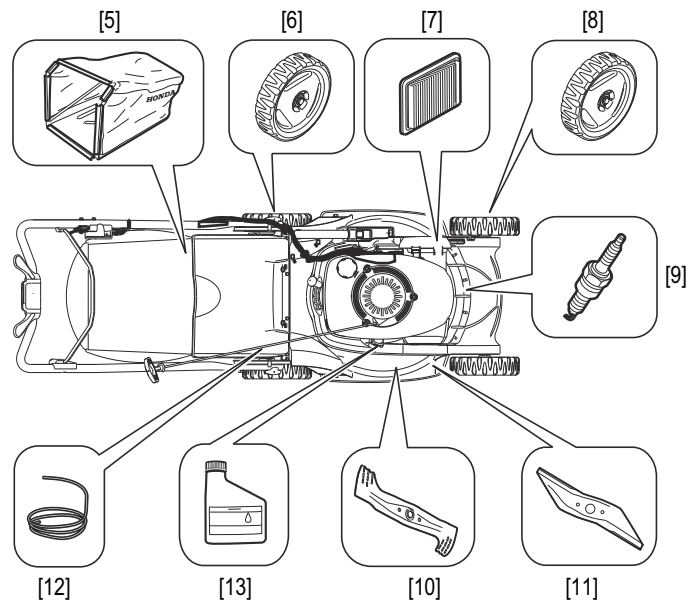
### VOORZICHTIG:

- Gebruik een laadplank om de machine op een aanhanger of in een vrachtwagen te laden. Probeer nooit de machine onder een hellingshoek van meer dan 15 te laden.
- Rijd de gazonmaaier nooit op de motor een laadplank op of af. Duwen is zwaar werk, maar veel minder gevaarlijk.
- Schakel nooit de aandrijfkoppeling in wanneer u de gazonmaaier achteruit duwt, aangezien dit de koppeling beschadigt.
- Vervoer de machine horizontaal, op de vier wielen.
- Blokkeer de vier wielen en sjoer de machine vast.
- Sjorringen mogen niet op de gashendel, de meskoppelingshendel, de benzinetank en de bedieningskabels dragen.

# NUTTIGE INFORMATIE

## EEN ERKEND DEALER ZOEKEN

Kijk op de Europese internetsite:  
<http://www.honda-eu.com>



## COURANTE ONDERDELEN, ACCESSOIRES IN OPTIE EN VERBRUIKSPRODUCTEN

Neem contact op met een erkend Honda-dealer voor de aanschaf van een van de hieronder opgesomde, of andere, originele onderdelen.

HRX476C		
Courante onderdelen		
[5]	Opvangzak	81320-VK8-J50 Zak alleen (zonder frame)
[6]	Achterwiel	42710-VK8-J50ZA
[7]	Luchtfiler	17211-ZL8-023 Papieren filter
[8]	Voorwiel	44710-VK8-J50ZA
[9]	Ontstekingsbougje	98079-55846 NGK (merk): BPR5ES (model)
[10]	Standaardmes	72511-VK8-J50 Gebruik van momentsleutel noodzakelijk
[11]		72531-VK8-J50
[12]	Trekkoord voor starter	28462-ZL8-631 Laten vervangen door uw Honda-dealer
Verbruikspullen		
[13]	Motorolie	08221-888-061HE SAE 10W30, 0,6 l Olie voor viertaktmotor

### WAARSCHUWING :

Voor uw veiligheid, is het formeel verboden om het even welke andere toebehoren te stijgen dan die die specifiek voor uw model en soort motorgazonmaaier worden ontworpen, hierboven op een lijst gezet.



# TECHNISCHE GEGEVENS

MODEL		HRX476C			
TYPEN		PKEA	VKEA	VYEA	HYEA
<b>TECHNISCHE GEGEVENS</b>					
Beschrijvingscode		MASF			
Functie		Gras maaien			
Afmetingen L x b x h	mm	1 600 x 530 x 1 010	1 545 x 530 x 960		1 610 x 530 x 1 035
Drooggewicht	kg	36	39	42	44
Spoorbreedte Achter/Voor	mm	430 / 453			
Maaibreedte	mm	470			
Maaihooigte verstelbaar	mm	7 standen (25 t/m 79 mm)			
Diameter van de wielen Achter/Voor	mm	212 / 212			
Inhoud grasvangzak	ℓ	69			
Geluidsdruk op oorhoogte (overeenkomstig de richtlijn EN 836: 1997 + A4: 2011)	dB(A)	81,5			
Meetonzekerheid	dB(A)	1			
Gemeten geluidsvermogen (overeenkomstig de richtlijnen 2000/14/EC, 2005/88/EC)	dB(A)	94			
Meetonzekerheid	dB(A)	1			
Gegarandeerd geluidsvermogensniveau (overeenkomstig de richtlijnen 2000/14/EC, 2005/88/EC)	dB(A)	95			
Trillingstest (overeenkomstig de richtlijnen EN 836: 1997 + A4: 2011, EN12096-D: 1997) (**)	m/s <sup>2</sup>	2,8			
Meetonzekerheid	m/s <sup>2</sup>	0,9			
<b>MOTOR</b>					
Model		GCV160A			
Type		4-takt motor met kopkleppen, luchtkoeling			
Cilinderinhoud	cm <sup>3</sup>	160			
Boring x Slag		64 x 50			
Koeling		Lucht			
Smering		Door projectie			
Compressieverhouding		8,5 : 1			
Nettovermogen (*)	kW/omw./min.	3,3 / 3 600			
Nominaal vermogen	kW/omw./min.	2,7 / 2 800			
Afgesteld gebruikstoerental	omw./min.	2 800 <sup>+0</sup> <sub>-100</sub>			
Stationair toerental	omw./min.	1 700 ± 150			
Ontsteking		Transistor-magnet			
Bougie		NGK : BPR5ES			
Elektrodenafstand	mm	0,7 - 0,8			
Luchtfilter		Dubbel element half droog			
Voorgescreven brandstof		Zonder lood			
Inhoud benzinetank	ℓ	0,91			
Verbruik	ℓ/h	1,1			
Gebruik op één tank benzine (*)	h	0,8			
Aanbevolen smeerolie		SAE 10W30			
Hoeveelheid motor olie	ℓ	0,5			
<b>OVERBRENGING</b>					
Type		-	Conuskoppeling		Hydrostatische
Wielaandrijving		-	V-riem		
Eindoverbrenging		-	Tandwielen		
Aantal versnellingen		-	Onafgebroken		
Voorwaartse snelheid	m/s	-	0 ~ 1,4		
Smering		-	Oliebad en spatsmering op spatsmering		
Aanbevolen smeermiddel		-	SAE 10W30 API Grade SL / SJ		Honda HST
Inhoud	cm <sup>3</sup>	-	150		140

(\*) Het nominale vermogen van de motor in dit document is het nettovermogen gemeten volgens SAE J1349 en geleverd met een productiemachine GCV160A bij 3 600 omw./min. (Nettovermogen). Massaproductiemotoren kunnen hiervan afwijken. Het uiteindelijke vermogen is afhankelijk van vele factoren, zoals bedrijfstoerental, omgevingscondities, onderhoud e.d.

(\*\*) Waarden voor een machine uitgerust met een opvangzak, in de grasopvang positie.



# INTRODUCCIÓN

Señora, Señor,  
 Honda le expresa su agradecimiento por la confianza que ha manifestado con la adquisición de un cortacésped de su marca. Este manual está previsto para facilitar el manejo de este cortacésped permitiéndole su utilización en las mejores condiciones y su mantenimiento. Nuestro deseo y preocupación es hacerle aprovechar al máximo las evoluciones tecnológicas, los nuevos equipos o materiales y nuestra experiencia, y por eso nuestros modelos son perfeccionados regularmente, con lo cual las características y los datos contenidos en este manual pueden verse modificados sin aviso previo y sin obligación de actualización. En caso de problemas o si tuviera alguna pregunta especial relativa al cortacésped, tenga la amabilidad de dirigirse al concesionario Honda o a un vendedor homologado por Honda. Conserve este manual al alcance de la mano para consultarlo en cualquier momento y, en caso de que venda el cortacésped, cerciórese de que estas instrucciones acompañan a la máquina. Le recomendamos que lea la póliza de garantía para saber perfectamente cuáles son sus derechos y sus responsabilidades. La póliza de garantía es un documento separado que el concesionario Honda le suministra. No puede hacerse ninguna reproducción ni incluso parcial de la presente publicación sin la previa autorización escrita.

## INSTRUCCIONES DE SEGURIDAD

Cualquier pieza de la máquina puede representar una fuente potencial de peligro en caso de uso incorrecto o de un deficiente mantenimiento. Es conveniente prestar mucha atención a los puntos precedidos de las siguientes palabras:

### ⚠ ADVERTENCIA:

**Hay riesgo de heridas corporales graves o incluso de muerte en caso de incumplimiento de las instrucciones.**

### PRECAUCIÓN:


• Hay un riesgo eventual de heridas corporales o de deterioro del material en caso de incumplimiento de las instrucciones.

**NOTA:** Fuente de informaciones útiles.

## EXPLICACIÓN DE LOS CÓDIGOS UTILIZADOS EN ESTE MANUAL

HRX476C	H Y E A	P K E A	V K E A	V Y E A
Autopropulsados con transmisión hidrostática . . . . .	•			
Empujado . . . . .		•		
Autopropulsados con transmisión de velocidad variable . . . . .			•	•
Freno de cuchilla . . . . .		•	•	
Rotostop . . . . .	•			•

El modelo de su máquina aparece indicado en la etiqueta de identificación y está compuesto por una serie de letras y cifras (véase página 3).

 \_\_\_\_\_  
 Escriba aquí el número de serie de la máquina

\_\_\_\_\_   
 Inscriba aquí el modelo de la máquina

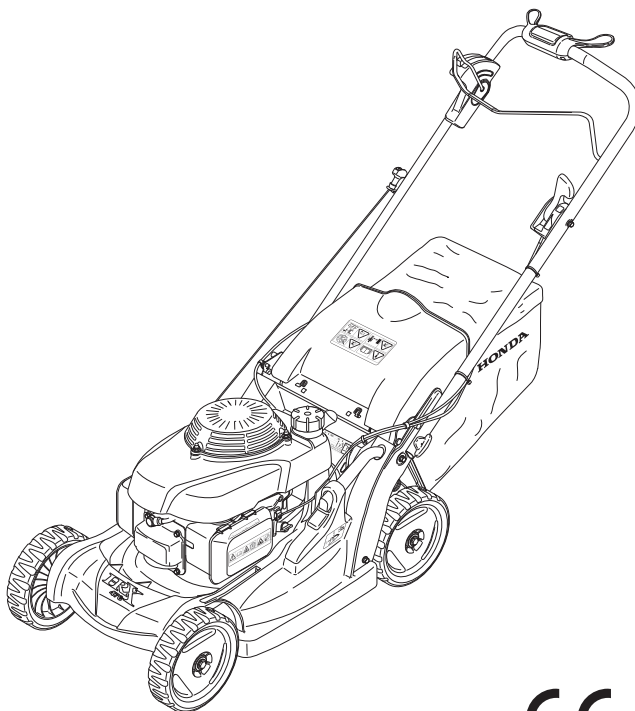


# MANUAL DE INSTRUCCIONES

Manual original

## HRX476C

### Cortacéspedes



## INDICE

Introducción . . . . .	1
Instrucciones de seguridad . . . . .	2
Etiquetas de seguridad . . . . .	3
Identificación de la máquina . . . . .	3
Descripción general . . . . .	3
Preparación y comprobaciones antes del uso . . . . .	4
Selección del modo de corte . . . . .	6
Arranque y parada del motor . . . . .	7
Consejos de utilización . . . . .	7
Mantenimiento . . . . .	9
Diagnóstico de averías . . . . .	13
Almacenamiento . . . . .	14
Transporte . . . . .	15
Información útil . . . . .	15
Especificaciones técnicas . . . . .	16
Direcciones de los principales concesionarios Honda . . . . .	17
RESUMEN DE CONTENIDO DE “Declaración de conformidad CE” . . . . .	18

ESPAÑOL

# INSTRUCCIONES DE SEGURIDAD

Cualquier pieza de la máquina puede representar una fuente potencial de peligro en caso de uso incorrecto o de un deficiente mantenimiento.

Es conveniente prestar mucha atención a los puntos precedidos de las siguientes palabras:

## **ADVERTENCIA :**

**Hay riesgo de heridas corporales graves o incluso de muerte en caso de incumplimiento de las instrucciones.**

### **PRECAUCIÓN:**

- Hay un riesgo eventual de heridas corporales o de deterioro del material en caso de incumplimiento de las instrucciones.

**NOTA:** Fuente de informaciones útiles.



Esta señal le recuerda la necesaria prudencia al efectuar determinadas operaciones. Véase las instrucciones de seguridad en las páginas siguientes, en el/los punto(s) indicado(s) en el cuadradito.

### **FORMACIÓN**

- A1.** Leer detenidamente las instrucciones del presente manual. Familiarizarse con la correcta utilización y con los mandos del cortacésped antes de utilizarlo. Saber parar rápidamente el motor.
- A2.** Utilizar el cortacésped en el uso para el que ha sido destinado, es decir el corte y la recogida del césped. Cualquier otro uso puede resultar peligroso o provocar un deterioro de la máquina.
- A3.** No permitir nunca que utilicen el cortacésped niños o personas no conocedoras de estas instrucciones. Es posible que la normativa local determine una edad mínima para el usuario.
- A4.** No utilizar el cortacésped cuando:
  - Personas, y más concretamente niños, así como animales se encuentren cerca.
  - El usuario haya ingerido medicamentos o productos con conocidos efectos disminuyentes de su capacidad de reflejo y de vigilancia.
- A5.** No olvidar que el propietario o el usuario es responsable de los accidentes o de los riesgos en que incurran sus bienes o terceros.

### **PREPARACIÓN**

- B1.** Llevar siempre calzado resistente y pantalones largos durante el corte. No utilizar nunca el material estando descalzo o llevando sandalias.
- B2.** Inspeccionar minuciosamente la zona a cortar y eliminar todo objeto extraño que pudiera lanzar la máquina, tales como piedras, trozos de madera o de huesos, alambre, etc.
- B3. ¡ ATENCIÓN: PELIGRO !** la gasolina es altamente inflamable.
  - Almacenar el carburante en recipientes especialmente previstos para tal efecto.
  - Llenar el depósito solamente a la intemperie y antes de arrancar el motor; no fumar mientras se procede a esta operación o a cualquier manipulación de carburante.
  - No quitar nunca el tapón del depósito de carburante, y sobre todo no llenarlo nunca, mientras el motor esté en marcha o permanezca caliente.
  - No arrancar el motor si se ha derramado gasolina: alejar el cortacésped de la zona en la que se ha derramado el carburante, y no provocar ningún encendido mientras no se haya evaporado el carburante y no se hayan disipado los vapores.
  - Cerrar correctamente el depósito y el recipiente, apretando convenientemente los tapones.
  - Antes de inclinar el cortacésped para intervenir en la cuchilla o sacar el aceite, vaciar la gasolina del depósito.
- B4.** Sustituir los silenciadores de escape defectuosos.
- B5.** Antes de cada utilización, proceder siempre a una comprobación general de la máquina, y más especialmente de las cuchillas, de los pernos de sujeción y del conjunto de corte para asegurarse de que no se encuentran desgastados ni deteriorados. Sustituir por lotes completos los elementos desgastados o deteriorados, con el fin de preservar el correcto equilibrado de los mismos.

### **UTILIZACIÓN**

- C1.** No hacer funcionar el motor en un recinto cerrado, en el que puedan acumularse los vapores nocivos de monóxido de carbono.
- C2.** Cortar sólo a la luz del día o con luz artificial de buena calidad.
- C3.** En la medida de lo posible, procurar no cortar césped mojado.

- C4.** Durante su utilización, conservar la distancia de seguridad con respecto a la cuchilla, que viene dada por la longitud del manillar.
- C5.** No correr nunca, sino andar. No dejarse arrastrar por el cortacésped.
- C6.** Afianzar sus pasos en las pendientes, en las cuales se debe andar siempre en sentido transversal y nunca subiendo o bajando.
- C7.** Ser muy prudente en los cambios de dirección en terrenos en declive.
- C8.** No cortar en laderas de más de 20° de pendiente.
- C9.** Tener un especial cuidado cuando se debe arrastrar hacia sí la máquina.
- C10.** Parar la cuchilla si se debe inclinar el cortacésped para transportarlo, y en los desplazamientos entre áreas a cortar.
- C11.** No utilizar nunca el cortacésped si resultan deteriorados sus protectores o cárteres, o en ausencia de dispositivos de seguridad tales como el deflector o el recogedor.
- C12.** No modificar nunca el reglaje del regulador del motor, ni poner a éste en sobrerégimen.
- C13.** Antes de arrancar el motor, soltar la cuchilla (modelos equipados con Rotostop) y al embrague de avance (modelos autopropulsados).
- C14.** Arrancar el motor con precaución, respetando las instrucciones de uso y manteniendo los pies alejados de la cuchilla.
- C15.** No inclinar el cortacésped para ponerlo en marcha. Proceder a esta operación en una superficie llana, exenta de todo tipo de obstáculos y de hierba alta.
- C16.** Mantener las manos y los pies alejados de los elementos giratorios. Mantenerse siempre alejado de la tobera de eyección.
- C17.** No levantar ni transportar nunca un cortacésped cuyo motor esté funcionando.
- C18.** Parar el motor y desconectar el cable de bujía en los siguientes casos:
  - Antes de cualquier intervención debajo del cárter de corte o dentro del túnel de eyección.
  - Antes de cualquier operación de limpieza, de verificación o de reparación del cortacésped.
  - Después de chocar con un objeto extraño, inspeccionar el cortacésped para averiguar si está deteriorado. Efectuar las reparaciones necesarias antes de cualquier nueva utilización de la máquina.
  - Si el cortacésped empezara a vibrar de forma anormal, buscar inmediatamente la causa de tales vibraciones y remediarlas.
- C19.** Parar el motor en los siguientes casos:
  - Cada vez que se deba dejar al cortacésped sin vigilancia. En los modelos provistos de arranque eléctrico, quitar la llave de contacto.
  - Antes de llenar el depósito de carburante.
- C20.** Parar la cuchilla (modelos equipados con Rotostop) o el motor en los siguientes casos:
  - Poner y quitar el recogedor.
  - Antes de ajustar la altura de corte.
- C21.** Bajar el régimen antes de parar el motor. Cerrar la alimentación en gasolina.
- C22.** La utilización de accesorios distintos a los recomendados en este manual puede causar daños en su cortacésped que no estarán cubiertos por su garantía.

### **MANTENIMIENTO Y ALMACENAMIENTO**

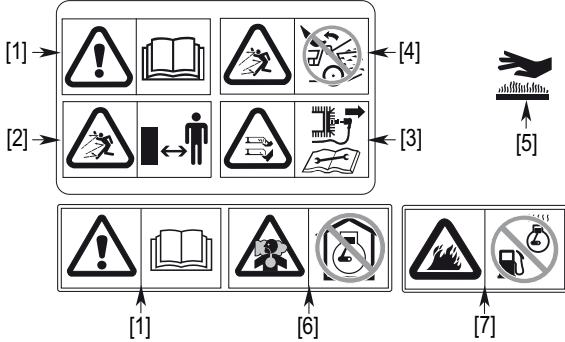
- D1.** Mantener apretados todos los tornillos y todas las tuercas con el fin de asegurar condiciones seguras de utilización. Un mantenimiento periódico resulta esencial para la seguridad y para que se mantenga el nivel de prestaciones.
- D2.** No almacenar nunca el cortacésped con carburante en el depósito, en un local en el que los vapores de gasolina pudieran alcanzar una llama, una chispa o una fuente de fuerte calor.
- D3.** Esperar a que se enfríe el motor antes de guardar la máquina en cualquier local.
- D4.** Para reducir los riesgos de incendio, quitar del cortacésped (y más especialmente del motor, del tubo de escape y del compartimento de batería), así como de la zona de almacenamiento, las hojas y briznas de hierba y los restos de grasa. No dejar contenedores de residuos vegetales dentro o cerca de un local.
- D5.** Si se debe proceder al vaciado del depósito de carburante, hacerlo fuera y estando frío el motor.
- D6.** Comprobar con frecuencia que el equipo de recogida no presenta señal alguna de desgaste o de deterioro.
- D7.** No utilizar la máquina con piezas deterioradas o desgastadas. Éstas han de ser substituidas y no reparadas. Usar repuestos de origen Honda. Las cuchillas deben llevar siempre la marca Honda así como la referencia. Piezas que no sean de la misma calidad pueden deteriorar la máquina y perjudicar su seguridad.
- D8.** Llevar guantes gruesos para desmontar y montar la cuchilla de corte y para limpiar el cárter de corte. Para apretar o aflojar la hoja, usar una calce de madera para impedir que gire.
- D9.** Vigilar que se mantenga equilibrada la cuchilla al afilarla.

# ETIQUETAS DE SEGURIDAD

El cortacésped debe ser utilizado con prudencia. A fin de esto, las etiquetas para recordarle a usted las principales precauciones de uso han sido puestas sobre la máquina, bajo la forma de pictogramas. Su significación está dada abajo.

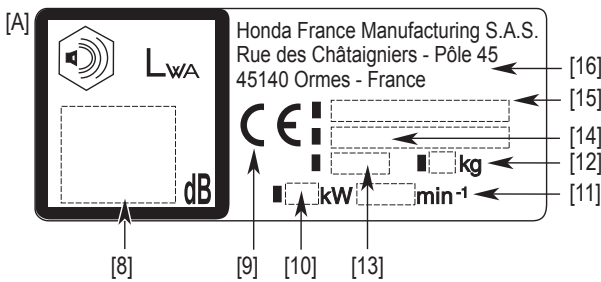
Estas etiquetas se consideran como parte integrante del cortacésped. Si se desengancha una etiqueta o se borra, cámbiela solicitando una nueva al concesionario.

Le recomendamos asimismo leer atentamente las instrucciones de seguridad indicadas en la (véase página 2).



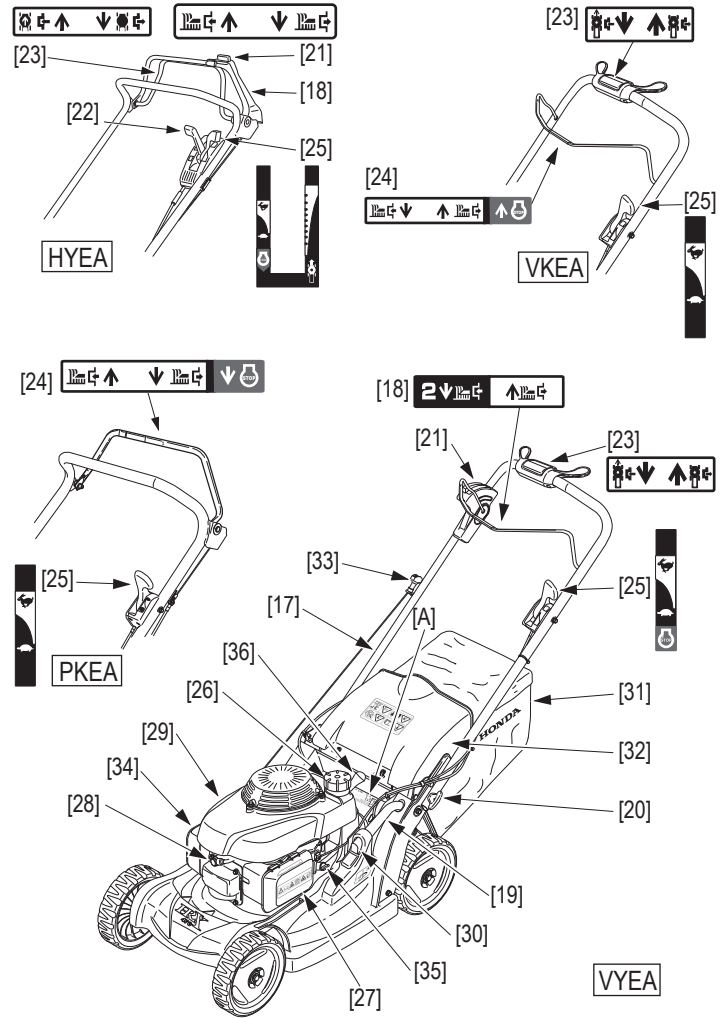
- [1] **ATENCIÓN:** Leer el manual de explicaciones antes de utilizar el cortacésped.
- [2] Riesgo de proyecciones. Mantenga a terceros fuera de la zona de utilización del cortacésped.
- [3] Riesgo de cortes. Cuchilla rotativa: No coloque las manos o pies dentro de la carcasa de corte: Desconecte la caperuza de bujía antes de realizar cualquier labor de mantenimiento o reparación sobre la máquina.
- [4] No utilizar sin deflector o saco recogedor.
- [5] El silenciador se calienta mucho durante la operación, y sigue caliente durante cierto tiempo después de haber parado el motor.
- [6] El motor emite gas monóxido de carbono que es tóxico y venenoso. No lo tenga en marcha en un lugar cerrado.
- [7] La gasolina es muy inflamable y explosiva. Pare el motor y espere a que se enfríe antes de repostar.

# IDENTIFICACIÓN DE LA MÁQUINA



- [8] Nivel de potencia acústica
- [9] Marca CE
- [10] Potencia mínima en kW
- [11] Régimen de trabajo en rev./min.
- [12] Peso en kilogramos
- [13] Año de fabricación
- [14] Número de serie
- [15] Modelo - Tipo
- [16] Nombre y dirección del fabricante

# DESCRIPCIÓN GENERAL



## IDENTIFICACIÓN DE LOS COMPONENTES

MANDOS	FUNCIONES
[17] Manillar	
[18] Palanca de embrague de la cuchilla (Rotostop) (*)	Arranca y frena el giro de cuchilla
[19] Palanca de regulación de la altura del corte	Selecciona la altura deseada del corte
[20] Botón de plegado / regulación del manillar	Permite de regular la altura del manillar o plegarlo
[21] Botón de desbloqueo de la palanca de embrague de cuchilla (*)	Activa la palanca de embrague de la cuchilla
[22] Palanca de control de velocidad (*)	Regula la velocidad máxima de avance
[23] Palanca de embrague de avance (*)	Activa la transmisión que acciona las ruedas traseras
[24] Palanca de freno de la cuchilla (*)	Detiene el giro de la cuchilla y el motor / Permite el arranque
[25] Acelerador	Controla el régimen del motor
[26] Deposito de combustible	
[27] Filtro de aire	
[28] Bujía de encendido	
[29] Depósito de aceite para del motor	
[30] Botón de desbloqueo de la palanca de altura de corte	
[31] Bolsa de recogida	Recoge la hierba cortada
[32] Protector contra piedras	Protege contra piedras proyectadas
[33] Arranque	Permite arrancar el motor
[34] Tubo de escape	
[35] Llave de paso de combustible	Cierra / abre el circuito de combustible
[36] Mando de mulching variable	Controla el flujo de hierba eyectada

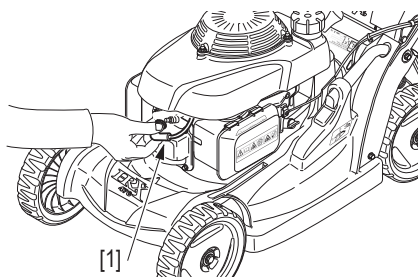
(\*) Para los modelos equipados

# PREPARACIÓN Y COMPROBACIONES ANTES DEL USO



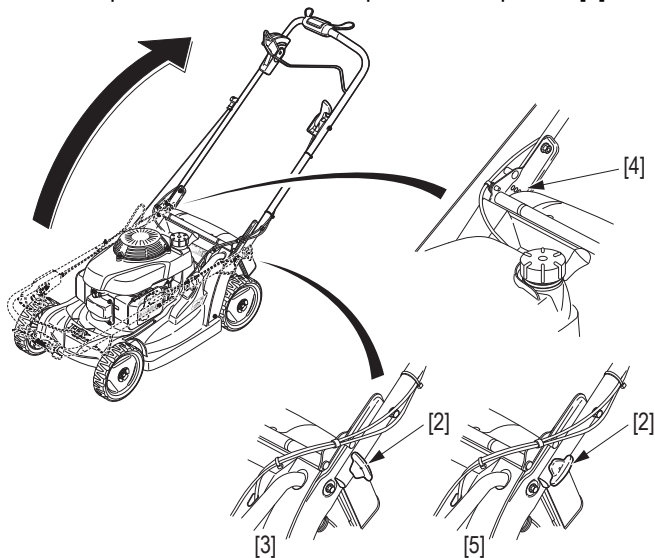
## ⚠️ ADVERTENCIA :

Para realizar esta serie de comprobaciones, colocar la máquina en un suelo estable y nivelado, con el motor apagado y retirado el capuchón de la bujía [1].



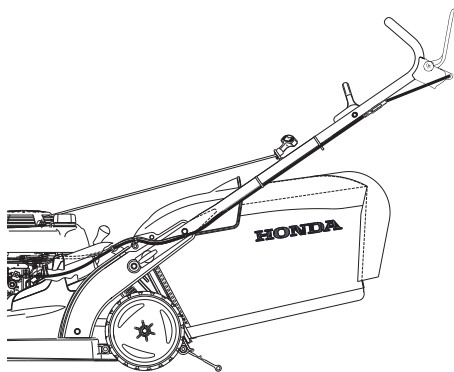
## MONTAGGIO DELLA MANIGLIA

1. Girar los botones de plegado/ajuste del manillar [2] un cuarto de vuelta hasta la posición desbloqueada [3].
2. Despliegue el manillar de modo que los ejes de los botones de plegado se alineen con los orificios superiores, intermedios o inferiores [4], según la altura de manillar deseada.
3. Volver a poner los botones en la posición bloqueada [5].



Controllare che i collari stringicavo sul manubrio siano collocati correttamente.

Per montare il sacco raccogliherba fare riferimento alle [página 12](#).



## COMPROBACIÓN DE LA BOLSA

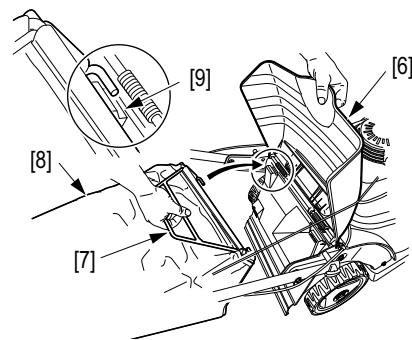
### ⚠️ ADVERTENCIA :

Cerciorarse antes de utilizar la máquina de que el dispositivo de cierre del saco está bien bloqueado (protector de descarga). Incluso en condiciones normales de utilización, el saco tiene tendencia a estropearse. Es conveniente por lo tanto verificar regularmente si no está deshilachado o rasgado. Un saco viejo debe ser reemplazado. Cambiar un saco deteriorado solamente por un saco Honda.



### Retirar el saco:

1. Parar el motor.
2. Levantar el protector de descarga [6], agarrar el asa [7] y retirar el saco [8], manteniéndolo verticalmente.



### Colocación:

1. Levantar el protector de descarga y enganchar la parte delantera del saco en las uñas de fijación del cortacésped [9].

**NOTA:** El cortacésped funciona como un aspirador; proyecta aire en la bolsa, que aspira de este modo las briznas de hierba. Vacíe siempre el saco para césped antes de que se llene hasta el límite de su capacidad. El rendimiento del saco para céspedes disminuirá después de que se llene al 90 % de su capacidad. Además, el saco es más fácil de vaciar cuando no está completamente lleno.

## COMPROBACIÓN DEL NIVEL DE GASOLINA

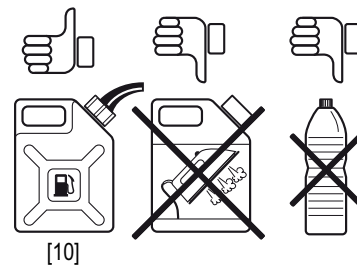
### ⚠️ ADVERTENCIA :

No llenar el depósito de gasolina hasta el tope (No debe verse gasolina en el cuello de llenado). Después de llenado el depósito, cerciorarse de que el tapón del depósito está correcta y fuertemente enroscado.

Evitar todo contacto repetido o prolongado de la gasolina con la piel así como cualquier inhalación de vapor de gasolina. No dejar gasolina al alcance de los niños.

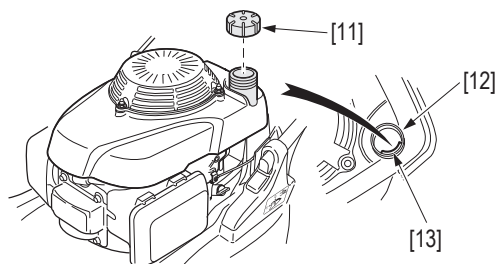
### PRECAUCIÓN:

- Tenga cuidado de utilizar contenedores específicamente diseñados para hidrocarburos [10].
- No utilizar nunca mezcla aceite-gasolina.
- Utilizar sólo gasolina sin plomo de 95 o 98.
- Evitar que penetren suciedades en el depósito.
- No usar carburante sucio (con agua, polvo, etc.) o demasiado viejo. La gasolina sin plomo se degrada con el tiempo. No conserve el combustible durante más de un mes ([véase página 14](#)).



### Para comprobar el nivel de gasolina:

1. Desenroscar el tapón [11] y verificar el nivel de gasolina.
2. Llenar [12] el depósito si el nivel es demasiado bajo. Se alcanza el nivel máximo cuando la gasolina se encuentra enfrente de la lengüeta [13].
3. Enroscar el tapón [11] a fondo después de terminar el llenado de gasolina.



**NOTA:** No se recomienda utilizar productos de sustitución de gasolina ya que pueden deteriorar los componentes del circuito de carburante.

## GASOLINA CON ALCOHÓL

Si tiene la intención de emplear gasolina con alcohol, cerciórese de que su índice de octano es por lo menos tan elevado como el recomendado por Honda [86].

Existen dos tipos de mezcla gasolina/alcohol: uno que contiene alcohol etílico y el otro que contiene alcohol metílico. No utilizar mezclas que contengan más del 10 % de alcohol etílico, ni gasolina que contenga alcohol metílico (metilo o alcohol de madera), que no contenga cosolventes ni inhibidores de corrosión para el alcohol metílico.

En caso de mezcla con alcohol metílico con adición de cosolventes e inhibidores de corrosión, limitar la proporción al 5 % de alcohol metílico.

**NOTA:** La garantía no cubre los daños causados al circuito de gasolina ni los problemas de rendimiento del motor resultante del empleo de gasolina que contenga alcohol. Honda no aprueba el uso de carburantes que contengan alcohol metílico siempre y cuando su carácter apropiado aún no esté demostrado.

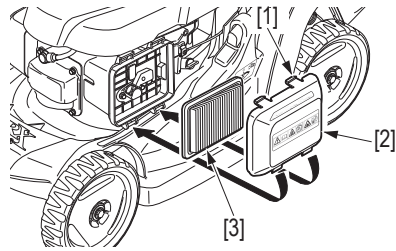
## COMPROBACIÓN DEL FILTRO DE AIRE

### PRECAUCIÓN:

- No poner nunca el motor en funcionamiento sin filtro de aire ya que se provocaría un desgaste prematuro del motor.

Para verificar el estado de la cuchilla:

1. Presionar sobre las lengüetas [1] de la tapa del filtro del aire y retirarla [2].
2. Comprobar la limpieza del filtro [3]. Si está sucio, proceder a su limpieza tal y como se indica en el apartado de "Mantenimiento" página 9.



3. Volver a montar el filtro [3] y su tapa [2].

## COMPROBACIÓN DEL ESTADO DE LA CUCHILLA

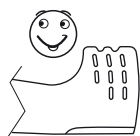
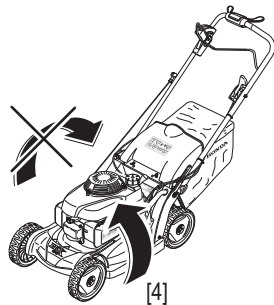
### PRECAUCIÓN:

- No inclinar la máquina con el carburador orientado hacia abajo, pues se conseguiría después una puesta en marcha muy difícil como consecuencia de la obstrucción del filtro de aire con aceite del motor.

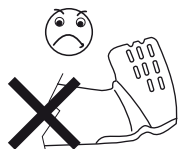


Para verificar el estado de la cuchilla:

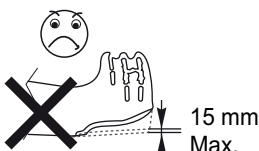
1. Apagar el motor.
  2. Retirar el capuchón de la bujía de encendido.
  3. Incline la cortadora hacia la derecha de forma que el tapón del combustible quede hacia arriba [4].
- Comprobar si la hoja presenta señales de haber sido utilizada. A título indicativo, es necesario sustituir la hoja cuando se unan los raspados o aparezca una fisura.



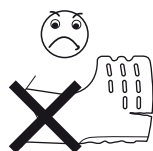
NORMAL



TORCIDA



EXCESIVAMENTE USADA



HENDIDA

- Verificar que los tornillos de la bujía estén bien apretados (véase capítulo "Mantenimiento" página 9).
- Para cambiar la cuchilla o efectuar un desmontaje-montaje, véase el procedimiento descrito en el capítulo "Mantenimiento" página 9.

### ⚠ ADVERTENCIA :

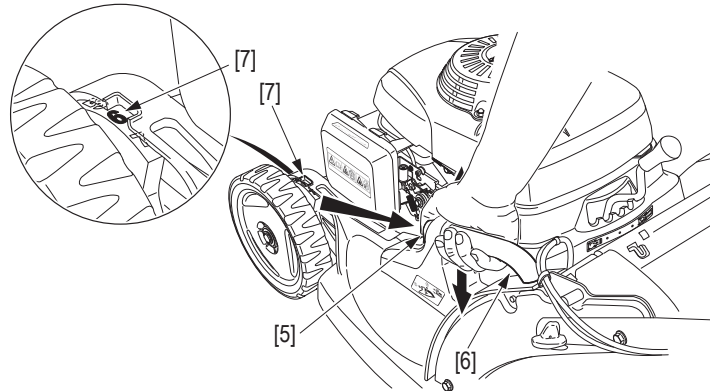
**No poner nunca la máquina en funcionamiento con una cuchilla desgastada o deteriorada, rota o amuecada. Un trozo de cuchilla que se rompe o es lanzado puede causar lesiones graves.**

**NOTA:** El desgaste de la cuchilla es más rápido cuando la máquina trabaja en suelos arenosos. Examinar con frecuencia la cuchilla en caso de utilización de la máquina en estas condiciones.

## AJUSTE DE LA ALTURA DE CORTE

Para cambiar la altura de corte:

1. Parar el motor.
2. Mantener presionado el botón de desbloqueo [5] y levantar o bajar el cortacésped mediante el asa de ajuste [6]. Hay un indicador de altura [7] al nivel de la rueda delantera izquierda.

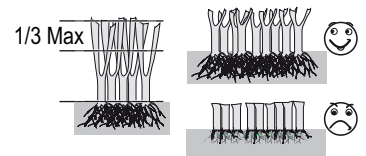


Los reglajes de altura de corte corresponden a valores aproximados, ya que la altura real de la hierba cortada varía con el estado del césped y del suelo. Para seleccionar la altura de corte, proceder al corte de una pequeña superficie y comprobar el aspecto resultante del césped, modificando la altura de corte si es necesario.

### NOTA:

- No cortar más de 1/3 de la altura inicial de la hierba en una pasada; aparecerán manchas pardas. El corte será más limpio y limitará los atascos.
- Si el césped es demasiado alto, corte hasta la altura máxima permitida por el cortacéspedes y volver a cortar de nuevo 2 o 3 días más tarde.
- La profundidad de las raíces es proporcional a la altura de las briznas de hierba, cuanto más corto sea el corte, menos profundas serán las raíces.
- Escoja una altura de corte adaptada al uso del césped: ocio, deporte: 5 cm o más, adorno: de 1 a 3 cm.
- Sólo algunas especies de césped admiten un corte muy a fondo. El césped demasiado cortado es frágil y sensible a la sequedad. Asesórese por un especialista.

Posiciones	Altura (mm)
1	25
2	34
3	43
4	52
5	61
6	70
7	79

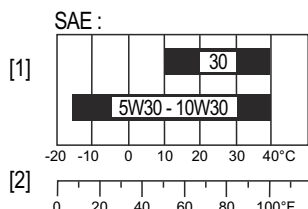


## COMPROBACIÓN DEL NIVEL DE ACEITE DEL MOTOR

### PRECAUCIÓN:

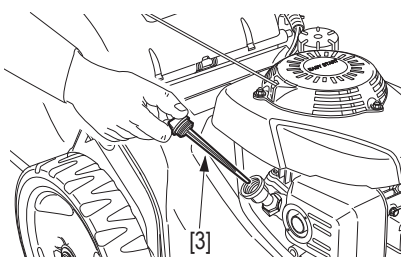
- El aceite del motor es un elemento esencial que influye en la capacidad del motor y también en su duración.
- Poner el motor en funcionamiento con una cantidad de aceite insuficiente puede ser causa de daños graves en éste. Se recomienda emplear un aceite Honda 4 tiempos o también un aceite para motor de calidad equivalente y altamente detergente. Es conveniente elegir la viscosidad apropiada a la temperatura media de la zona de utilización.

Tipos de aceite [1] adaptados en función de la temperatura ambiente [2].

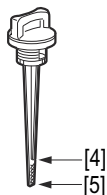


Para verificar el nivel de aceite del motor:

1. Poner el cortacésped en un suelo llano.
2. Retirar el tapón del depósito de aceite y limpiar la varilla medidora de aceite [3].
3. Poner la varilla en el cuello de llenado pero sin entoscarlo.



4. Verificar la marca del nivel de aceite que queda en la varilla. Si esta última se acerca a la marca del nivel inferior [4], es conveniente agregar aceite recomendado hasta la marca de nivel superior [5].
5. Volver a enroscar el tapón de llenado.



## SELECCIÓN DEL MODO DE CORTE

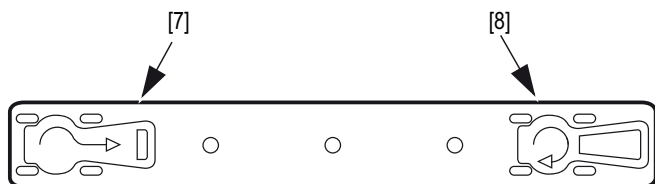
### AJUSTE DEL MANDO DE MULCHING VARIABLE

Tipos HYEА, VYEA:

1. Soltar la palanca de embrague de cuchilla.

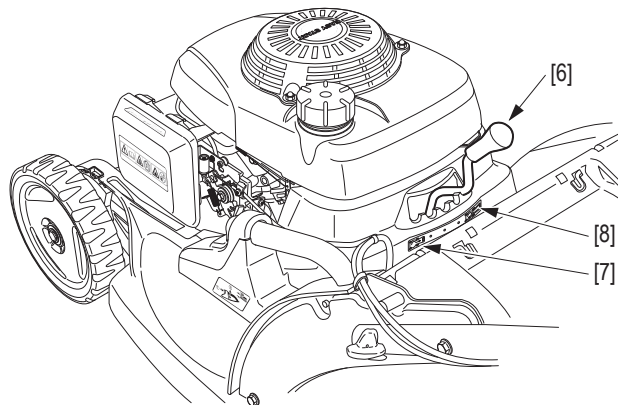
Tipos PKEA, VKEA:

1. Soltar la palanca de freno de cuchilla.
2. Ajustar el botón de mando de mulching variable en una de las 5 posiciones para obtener el nivel de trituración y de eyección de la hierba deseado.



- **Posición de recogida [7]:** la totalidad de la hierba cortada es eyectada en la parte trasera del cortacésped, y las briznas de hierba no son trituradas.
- **Posición de trituración [8]:** la hierba ya no es recogida en la bolsa de hierba sino finamente triturada y depositada sobre el césped. Las briznas de hierba picadas de esta manera se descompondrán sobre el suelo y formarán un humus natural que puede producir un cuarto de las necesidades anuales de abono de su césped.

3. Para escoger la posición más adecuada para sus necesidades, haga una prueba. Instalar la bolsa de hierba y empezar a cortar en posición de recogida [7]. Verificar el efecto en el césped. Desplazar el botón [6] una muesca hacia la derecha. A medida que el botón es desplazado hacia la posición Trituración [8], una cantidad superior de hierba es picada y depositada de nuevo sobre el césped. Desplazar el botón de mando [6] hasta obtener los resultados deseados.



### NOTA:

- El mulching es una técnica de fertilización natural. La hierba no se recoge en la bolsa, sino que es triturada y depositada sobre el césped.
- Además de su función fertilizante, el mulching protege el suelo, limita la evaporación de agua en los periodos de calor y evita tener que recoger la hierba.

### EYECCIÓN TRASERA

Si no se desea recoger la hierba cortada, es posible utilizar el cortacésped sin bolsa de hierba. En este caso, la hierba eyectada es guiada hacia el suelo por el protector contra piedras. La cantidad eyectada varía en función de la posición del botón de mando de mulching variable:

- flujo máximo en la posición [7],
- flujo nulo en la posición [8].



# ARRANQUE Y PARADA DEL MOTOR



## ARRANQUE DEL MOTOR

### PRECAUCIÓN:

- No poner el motor en marcha con la palanca de embrague de cuchilla o de avance introducidas.



[A]

### RÁPIDO

Rearranque de motor en caliente, y corte.



[B]

### LENTO

Puesta al ralenti del motor.



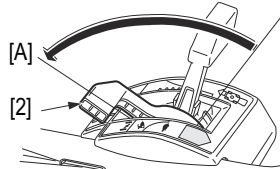
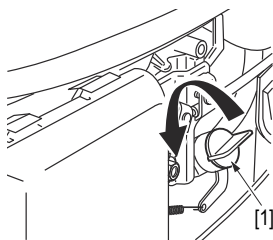
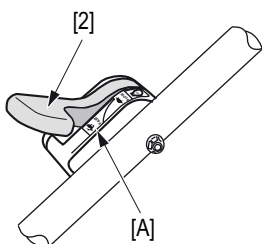
[C]

### PARADA

Parada del motore (Modelos equipados con Rotostop).

### Todos modelos:

- Abrir la llave de gasolina [1].
- Poner la palanca de mando de gases [2] en la posición "RÁPIDO" [A].

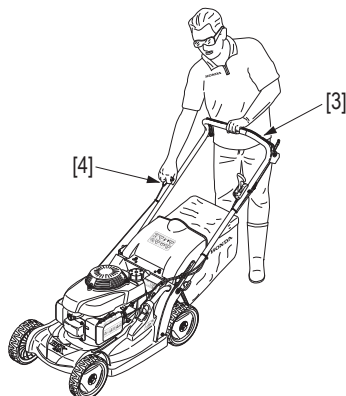


### Tipos PKEAA, VKEA

- Mantener la palanca de freno de la cuchilla [3] apretada contra el manillar para que el motor arranque.

### Todos modelos:

- Tirar suavemente del lanzador [4] hasta sentir una resistencia y luego tirar enérgicamente.



### NOTA:

- No dejar el lanzador que vuelva bruscamente sino acompañarlo con la mano.
- Para ajustar la velocidad del motor durante el funcionamiento del cortacésped, puede posicionarse la palanca de mando de gases en cualquier posición "RÁPIDO" [A] o "LENTO" [B]. Se obstante, se obtienen los mejores resultados en la posición "RÁPIDO" [A].

### Tipos HYEА, VYEА:

El motor puede calarse si la palanca está en la posición "LENTO" [B] cuando esta acoplado el embrague de cuchilla.

Para facilitar el arranque, poner el cortacésped en una superficie llana sin hierba alta.

## PARADA DEL MOTOR

### Tipos HYEА, VYEА:

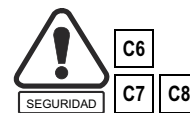
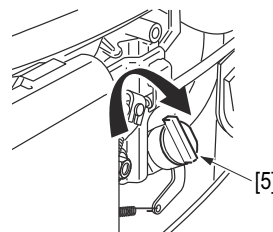
- Colocar la palanca de mando de gases en la posición "PARADA" [C].

### Tipos PKEА, VKEА:

- Colocar la palanca de mando de gases en la posición "LENTO" [B].
- Soltar la palanca de freno de cuchilla.

### Todos los modelos:

- Cerrar la llave de gasolina en la posición "PARADA" [5].



## MOTOR AHOGADO

Si el motor no quiere arrancar al cabo de algunos intentos con el lanzador, puede ocurrir que el motor esté ahogado.

Para eliminar el exceso de gasolina en el motor:

- Colocar la palanca de mando de gases en la posición "PARADA" [C] (tipos HYEА, VYEА).
- Retirar y secar la bujía de encendido. Al colocar la bujía, enroscarla con la mano hasta el tope y luego con la llave para bujías apretando entre 1/8 y 1/4 de vuelta adicional para comprimir bien la arandela.
- Poner a continuación la palanca de mando de gases en la posición "RÁPIDO" [A] y repetir las operaciones anteriores mencionadas en la sección "Puesta en marcha del motor".

## CONSEJOS DE UTILIZACIÓN

### FUNCIONAMIENTO EN ZONA ALTA

En grandes altitudes, la mezcla estándar gasolina/aire del carburador será mucho más rica y el rendimiento disminuirá aumentando el consumo.

Se puede mejorar el rendimiento en grandes altitudes instalando en el carburador un surtidor con un diámetro más pequeño y ajustando el mando de riqueza de la mezcla. Si la máquina funciona a una altitud superior a 1.500 metros sobre el nivel del mar, se recomienda que estas modificaciones en el carburador se hagan por el concesionario.

Incluso con el carburador modificado convenientemente, la potencia del motor disminuirá aproximadamente en un 3,5 % cada 300 metros de aumento de altitud. Sin embargo, si no se efectúan estas modificaciones, la incidencia de la altitud sobre la potencia será mucho más sensible.

### PRECAUCIÓN:

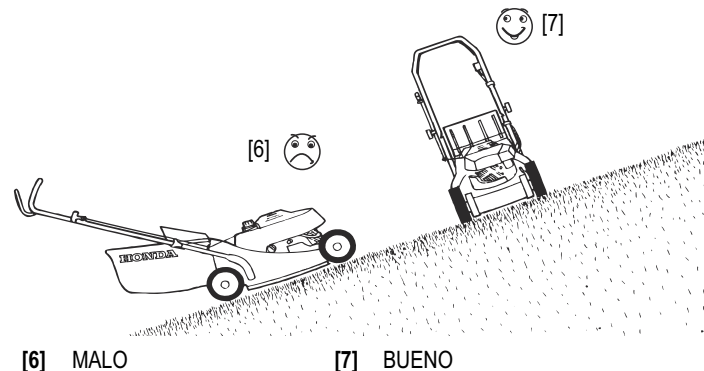
- Si se pone a en funcionamiento la máquina a una altura inferior a la ajustada en el carburador, puede provocarse un recalentamiento y causar serios daños al motor como consecuencia de una mezcla demasiado pobre de aire y gasolina.

### ⚠ ADVERTENCIA :

Hay que ser extremadamente prudente cuando se corta la hierba en un terreno accidentado e irregular. La máquina puede volcarse y salirse la cuchilla. Además, la cuchilla puede hacer saltar objetos que habían quedado hasta entonces ocultos. Mantener bien las cuatro ruedas en el suelo. Controlar la dirección de la máquina con el manillar y no mediante una presión del pie en el cárter de la cuchilla.

### PRECAUCIÓN:

- Cuando hay que evitar un obstáculo, hay que tener cuidado de no tocarlo con la cuchilla. No pasar nunca la máquina a propósito sobre un objeto.
- Cuando se corta la hierba en un terreno accidentado, no dejarse arrastrar por la máquina sino sostener bien su manillar y vigilar su progresión.



**NOTA:** Si resulta demasiado reducida la velocidad de la máquina al trabajar en una ladera, desplazar ligeramente la manecilla de cambio de velocidad hacia la posición "RÁPIDO".

## PROCEDIMIENTO DE CORTE



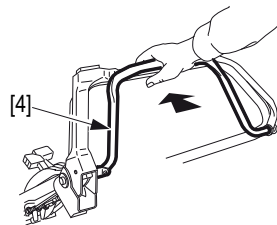
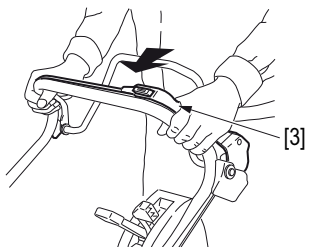
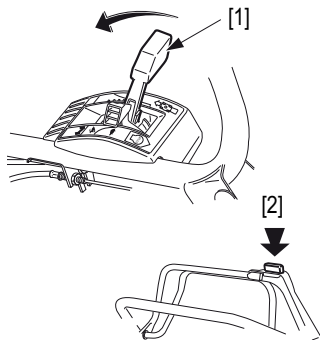
Leer las consignas de seguridad antes de empezar segar la hierba.

Tipo HYEА:

### ⚠ ADVERTENCIA :

**Soltar siempre la palanca de embrague de la cuchilla y la palanca de embrague de avance antes de poner el motor en marcha. Cuando la transmisión de la cuchilla esté acoplada, el arranque es menos fácil.**

1. Seleccionar la velocidad deseada de avance con la palanca de cambio de velocidades [1].
2. Embragar la cuchilla:
  - Pulsar el botón amarillo [2] situado en la parte superior de la palanca de embrague de la cuchilla [3], y a la vez empujarla y mantenerla pegada al manilla.
3. Embragar el avance del cortacésped cuando el motor haya recuperado su régimen:
  - La palanca de embrague de avance [4] actúa como un variador de velocidad en función de su posición. Se puede variar la velocidad de cero y el valor máximo que se ha preseleccionado con la manecilla de cambio de velocidad. La velocidad máxima se alcanza al mantener la palanca [3] y [4] completamente hacia delante. Cuanto mayor sea la altura de la hierba a cortar, tanto más deberá reducir la velocidad de avance de la máquina. Esto evita que se sobrecargue el motor y mejora la calidad del corte.
4. Para parar el avance del cortacésped:
  - Soltar la palanca de embrague de avance [4].
5. Para detener la rotación de la cuchilla:
  - Soltar la palanca de embrague de cuchilla [3].



**NOTE:** Es posible no utilizar el avance durante el corte en lugares de superficie difícil.

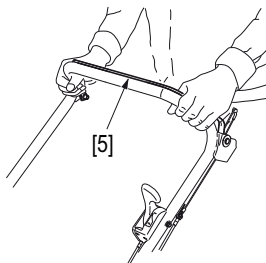
Igualmente, es posible utilizar el embrague de avance para desplazar el cortacésped sin utilizar el embrague de la cuchilla (caminos de piedra, etc.).

### PRECAUCIÓN:

- Ejercer un movimiento rápido y completo en la palanca de embrague de cuchilla para que la transmisión de la cuchilla quede siempre totalmente acoplada o parada. Esto tiene como objeto evitar que el motor se apague y con lo cual se prolonga la duración del mecanismo de mando del cuchillo.

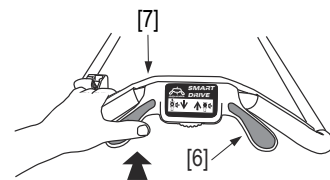
Tipo PKEA:

**NOTE:** Al soltar la palanca de freno de cuchilla [5] se interrumpe la rotación de la cuchilla y se para el motor.



Tipo VKEA:

1. Embragar el avance del cortacésped cuando [7] el motor haya recuperado su régimen:
  - Empujar lentamente el mando Smart Drive [6] para hacer avanzar el cortacésped.
  - La velocidad de avance aumenta con la presión ejercida en el mando Smart Drive.
  - Ejerza únicamente la presión necesaria para obtener la velocidad deseada. En una posición dada, la velocidad de avance varía en función de factores tales como el terreno, la altura del césped, la pendiente y el peso de la bolsa de recogida. El mando Smart Drive tiene por objeto permitirle mantener la velocidad de avance deseada en condiciones de corte en constante evolución.
2. Para parar el avance del cortacésped:
  - Soltar la palanca de mando Smart Drive [6].
3. Para detener la rotación de la cuchilla:
  - Soltar la palanca de freno de cuchilla [7].



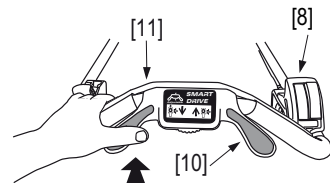
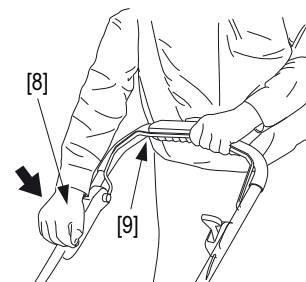
**NOTA:** Al soltar la palanca de freno de cuchilla se interrumpe la rotación de la cuchilla y se para el motor.

Tipo VYEA:

### ⚠ ADVERTENCIA :

**Soltar siempre la palanca de embrague de la cuchilla y la palanca de embrague de avance antes de poner el motor en marcha. Cuando la transmisión de la cuchilla esté acoplada, el arranque es menos fácil.**

1. Embragar la cuchilla:
  - Pulsar el botón de desbloqueo [8] y mantenerlo presionado.
  - Tirar de la palanca de embrague de cuchilla hacia usted [9].
  - Soltar el botón de desbloqueo [8] cuando las cuchillas estén enganchadas.
2. Embragar el avance del cortacésped cuando el motor haya recuperado su régimen:
  - Empujar lentamente el mando Smart Drive [10] para hacer avanzar el cortacésped.
  - La velocidad de avance aumenta con la presión ejercida en el mando Smart Drive.
  - Ejerza únicamente la presión necesaria para obtener la velocidad deseada. En una posición dada, la velocidad de avance varía en función de factores tales como el terreno, la altura del césped, la pendiente y el peso de la bolsa de recogida. El mando Smart Drive tiene por objeto permitirle mantener la velocidad de avance deseada en condiciones de corte en constante evolución.
3. Para parar el avance del cortacésped:
  - Soltar la palanca de mando Smart Drive [10].
4. Para detener la rotación de la cuchilla:
  - Soltar la barra de embrague de cuchilla [11].



**NOTE:** Es posible no utilizar el avance durante el corte en lugares de superficie difícil.

Igualmente, es posible utilizar el embrague de avance para desplazar el cortacésped sin utilizar el embrague de la cuchilla (caminos de piedra, etc.).

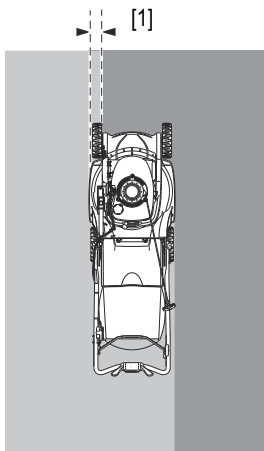


### PRECAUCIÓN:

- Ejercer un movimiento rápido y completo en la palanca de embrague de cuchilla para que la transmisión de la cuchilla quede siempre totalmente acoplada o parada. Esto tiene como objeto evitar que el motor se apague y con lo cual se prolonga la duración del mecanismo de mando del cuchillo.

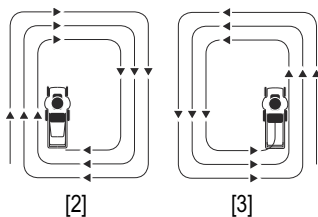
### NOTA:

- Frecuencia de corte: 1 vez por semana para césped de ocio, 2 veces por semana para césped decorativo.
- Cortar preferentemente durante la tarde, antes de regar, ya que la hierba debe estar seca. En caso de mucho polvo, cortar mientras la hierba esté seca pero con el suelo aún húmedo.
- escoja una altura de corte adaptada al terreno (véase página 5).
- Para que el corte sea regular es preciso dejar crecer unos centímetros [1] en la parte ya cortada y aumentar esta zona de recubrimiento hasta conseguir una altura suficiente.
- Para obtener la máxima eficacia, respete el camino indicado.
- Si el terreno no tiene forma regular o presenta numerosos obstáculos, divídalo en parcelas que podrá recortar en el sentido recomendado:



- [2] Con recogida de hierba: para la máxima eficacia, girar en el sentido de las agujas del reloj.

- [3] Con kit mulching (véase página 15): girar en el sentido contrario a las agujas del reloj.



## VACIADO DE LA BOLSA DE RECOGIDA



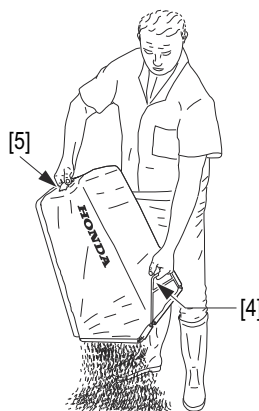
Cuando el saco de recogida esté demasiado lleno, la recuperación de la hierba no es eficaz (el ruido de la máquina cambia y el saco ya no es inflado por el aire de la cuchilla).

### Tipos HYEА, VYEA:

1. Soltar la palanca de embrague de cuchilla.

### Tipos PKEA, VKEA:

1. Soltar la palanca de freno de cuchilla.
2. Retirar el saco (véase página 4).
3. Vaciar el saco:
  - Sostener el saco por medio del asa metálica [4].
  - Agarrar el asa [5] y sacudir el saco para sacar la hierba.



### PRECAUCIÓN:

- Con el fin de reducir todo peligro de incendio, no dejar nunca el saco de recogida con hierba cortada u hojas en su interior dentro o cerca de un edificio. La descomposición de las sustancias vegetales provoca una importante elevación de temperatura.

### ⚠ ADVERTENCIA :

Cerciorarse antes de su uso de que el dispositivo de cierre del saco está correctamente bloqueado (protector de descarga).

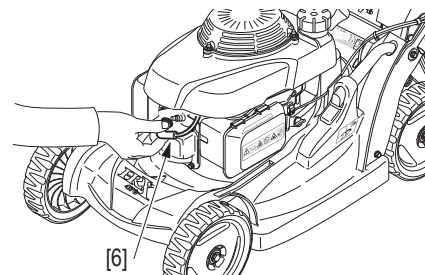
# MANTENIMIENTO

Un mantenimiento regular es la garantía de una larga duración de vida de la máquina.



### ⚠ ADVERTENCIA :

Para evitar cualquier accidente, desconectar el capuchón de la bujía de encendido [6] antes de ejecutar un trabajo de mantenimiento.



### PRECAUCIÓN:

- El motor y el tubo de escape alcanzan temperaturas suficientes para provocar quemaduras y un incendio si se encuentran cerca de materias inflamables.
- Dejar que el motor se enfríe durante 15 minutos antes de proceder a cualquier mantenimiento.

**NOTA:** Para garantizar una mayor duración de la máquina y un mejor rendimiento, es imprescindible mantener limpia la parte inferior del cortacésped, eliminando todo resto de hierba con un cepillo o rastrillo. Debe limpiar la máquina a fondo antes de guardarla para el invierno.

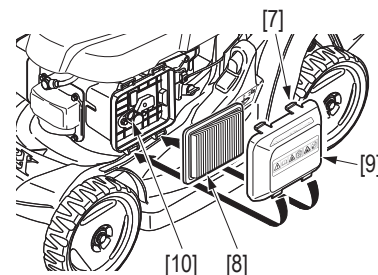
## MANTENIMIENTO DEL FILTRO DE AIRE

El filtro de aire sucio disminuirá el flujo del aire al carburador. Para prevenir cualquier mal funcionamiento del carburador, es primordial limpiar regularmente el filtro de aire.

### ⚠ ADVERTENCIA :

No utilizar nunca gasolina ni disolventes inflamables para limpiar las piezas del filtro de aire, ya que se podría provocar un incendio o una explosión.

1. Presionar sobre las lengüetas [7] de la tapa del filtro del aire [9] y retirarla.
2. Comprobar el filtro [8] y cambiarlo si está dañado.
3. Golpear ligeramente el filtro sobre una superficie dura para quitar el polvo y soplar a través de este desde el lado motor hacia el exterior (no sobrepasar los 2.1 kgf/cm<sup>2</sup>, 30 psi).



**NOTA:** El elemento filtrante [8] debe estar seco para funcionar. No embeberlo en aceite.

4. Limpiar la suciedad de la tapa del filtro de aire [9] con un trapo húmedo.

**NOTA:** Evitar que la suciedad entre en el conducto [10] que se dirige al carburador.

5. Montar el filtro [8] y la tapa [9].

## CAMBIO DE ACEITE DEL MOTOR

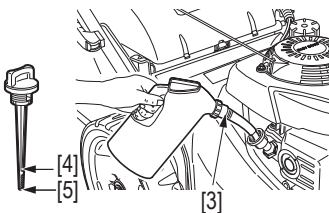
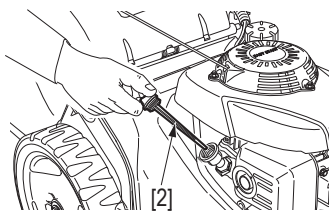
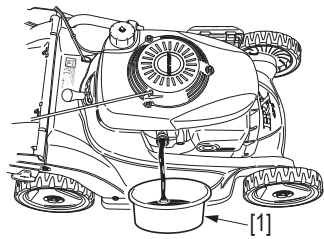
Sacar el aceite mientras el motor está aún caliente para garantizar un vaciado rápido y completo.



### PRECAUCIÓN:

- El aceite del motor usado puede provocar un cáncer de piel si permanece a menudo y largo tiempo en contacto con la piel. Aunque esta eventualidad sea poco probable, a menos que se manipule diariamente el aceite usado, se recomienda no obstante lavarse perfectamente las manos con agua y jabón inmediatamente después de haber manipulado aceite usado.

1. Volcar la máquina lateralmente.
2. Colocar un recipiente [1] debajo del agujero del tubo de llenado del depósito.
3. Retirar el tapón del tubo de llenado de aceite [2].
4. Volver a colocar el cortacésped sobre sus ruedas cuando ya no quede aceite en el depósito.
5. Llenar de aceite [3] hasta la marca "nivel superior" [4] utilizando el aceite recomendado (véase página 6).
6. Tapar con el tapón enroscándolo fuertemente para evitar cualquier riesgo de fuga.



**NOTA:** Hay que deshacerse del aceite usado respetando la normativa medio ambiental. Le aconsejamos llevarlo en un recipiente hermético a una gasolinera que se encargará de su reciclaje. No debe echarse, en ningún caso, el aceite usado en un contenedor o en el suelo ni tampoco en canalizaciones o alcantarillas.

## MANTENIMIENTO DE LA BUJÍA DE ENCENDIDO

Bujía recomendada: NGK - BPR5ES

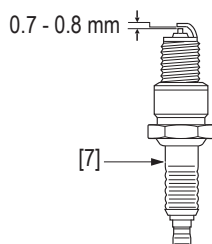
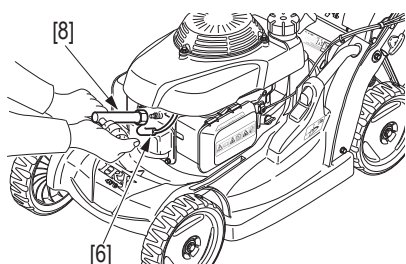
### PRECAUCIÓN:

- Utilizar únicamente las bujías recomendadas. El empleo de bujías que tengan un índice térmico inapropiado puede causar daños en el motor.

### ⚠ ADVERTENCIA :

Si el motor acaba de estar en funcionamiento, no tocar al tubo de escape ni la bujía puesto que aún están muy calientes.

1. Desconectar el capuchón [6] y retirar la bujía [7] por medio de una llave de bujía [8] suministrada.



2. Examinar atentamente la bujía. Cambiar la bujía si hay sedimentos importantes o bien si el aislante está fisurado o roto.
3. Medir la separación de los electrodos con una lámina de medición de espesores. El intervalo debe estar comprendido entre 0,7 y 0,8 milímetros. Si se necesita un ajuste, es suficiente con torcer con cuidado el electrodo lateral.
4. Verificar si la arandela de hermeticidad está en buen estado y a continuación enroscar la bujía con la mano hasta el tope.
5. Por medio de una llave, dar 1/2 vuelta adicional a una bujía nueva con el fin de comprimir la arandela. Si se monta la misma bujía, bastará con dar de 1/8 a 1/4 de vuelta después de colocar la bujía en su asiento.
6. Volver a colocar el capuchón de la bujía.

### PRECAUCIÓN:

- La bujía de encendido debe ser enroscada correctamente. Una bujía mal apretada puede recalentarse y deteriorar el motor.



## MANTENIMIENTO DEL PARACHISPAS (Parte opcional)

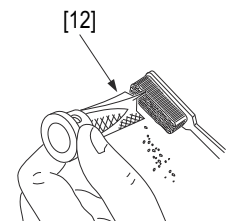
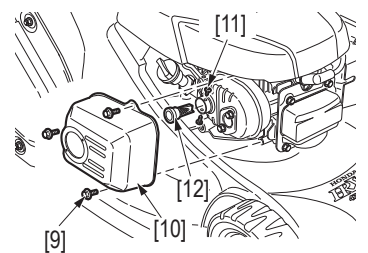
(En Europa y otros países donde este en vigor la directiva de maquinaria 2006/42/CEE, esta limpieza deberá ser realizada por el servicio oficial).

### ⚠ ADVERTENCIA :

Si el cortacésped acaba de estar en funcionamiento, el tubo de escape estará aún caliente y hay que dejarlo enfriar antes de proceder a esta operación.

En ciertas regiones, está prohibido poner en funcionamiento un motor sin un parachispas.

1. Retirar los tres tornillos [9] del protector de escape [10] y retirarlo.
2. Retirar los dos tornillos [11] del parachispas [12] y sacarlo del escape.
3. Comprobar si hay depósitos de carbonilla en el agujero del escape y el parachispas y limpiarlo si fuera necesario.
4. Cambiar el parachispas si estuviera deteriorado.
5. Instalar el parachispas [12] y el protector de escape [10] en orden inverso.



## REGLAJE DEL CARBURADOR



### PRECAUCIÓN:

- Le recomendamos se dirija a su distribuidor Honda para su ajuste.

**Velocidad normal en mínimo: 1 700 ± 150 rev./min.**

**Velocidad regulada de utilización: 2 800 <sup>+ 0</sup> - 100 rev./min.**

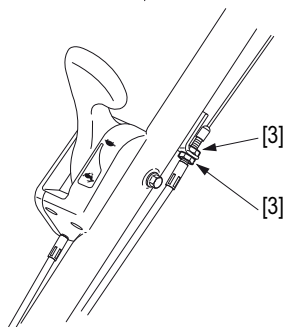
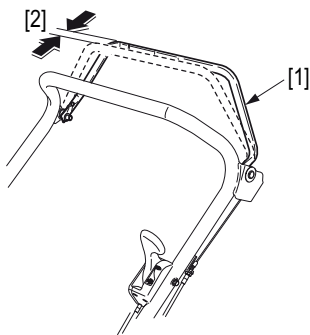
## REGLAJE DEL CABLE DE FRENO DE CUCHILLA

### Tipo PKEA:

1. Parar el motor y sacar la tapa de bujía.
2. Suelte la palanca del freno de cuchilla [1] y verifique que se sienta una resistencia fuerte cuando se tire del arrancador de rebobinado.

### En caso contrario:

3. Medir la distancia [2] hasta el extremo de la palanca [1] (30 a 35 mm máximo).
4. Si es preciso, proceder a un reglaje, aflojar las contratuercas [3] y aflojar el cable o tensarlo según se requiera. Apretar las contratuercas y volver a verificar la distancia.
5. Poner el motor en marcha y soltar la palanca de freno de cuchilla. Cerciorarse de que la cuchilla y el motor se detienen al soltar la palanca. En caso contrario, consultar con un concesionario homologado Honda.

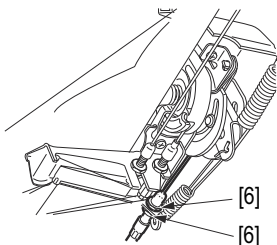
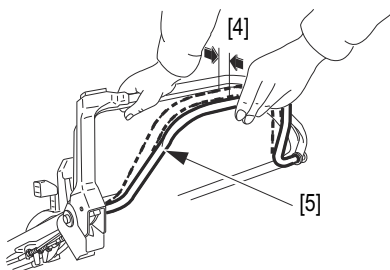


## REGLAJE DEL CABLE DE EMBRAGUE DE AVANCE

### Tipo HYEА:

Medir el juego [4] en el lado del mando [5] como se muestra.

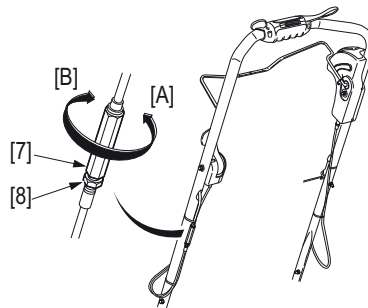
1. Colocar la palanca de cambio de velocidad en la posición más rápida y soltar las contratuercas [6].
2. Aflojar o mantener el cable para obtener un espacio de 1 a 5 mm.
3. Apretar las tuercas de bloqueo [6] y volver a verificar el juego [4].
4. Arrancar el motor en el exterior y poner la palanca de embrague en funcionamiento. Verificar que el embrague se acopla y se desacopla correctamente.



### Tipo VYEA:

Lleve a cabo este procedimiento con las ruedas sobre una superficie nivelada.

1. Afloje la tuerca de seguridad del cable [8] del embrague Smart Drive.
2. Arranque el motor.
3. Sin accionar el agarre Smart Drive, gire el ajustador del cable del embrague [7] en la dirección "DESPLAZAR" [A] hasta que la cortadora de césped comience a desplazarse hacia delante.
4. Gire el ajustador del cable del embrague 1 ~ 2 vueltas en la dirección "PARAR" [B].
5. Apriete la tuerca de seguridad del cable del embrague.
6. Compruebe el funcionamiento del sistema Smart Drive.



### Todos los modelos:

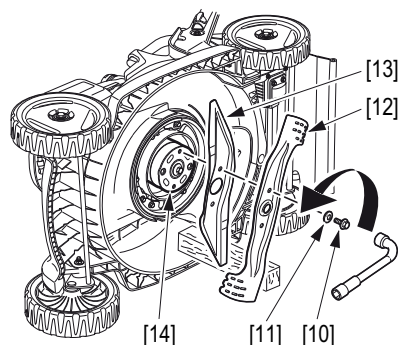
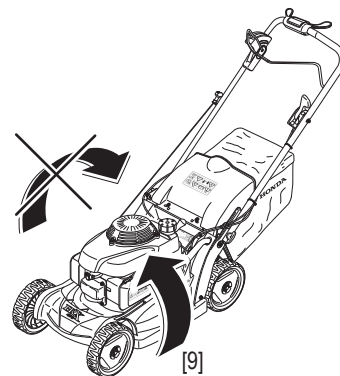
**NOTA:** Si el embrague no se acopla correctamente cuando el ajuste del cable es correcto, es posible que sea necesario proceder a una reparación. Consultar al efecto con un concesionario homologado Honda.

## MONTAJE Y DESMONTAJE DE LA CUCHILLA



### DESMONTAJE DE LA CUCHILLA

1. Poner el mando de gases en "PARADA" (modelos equipados con Rotostop).
2. Gire la válvula de combustible hasta la posición de "CERRADO" et desconecte el capuchón de la bujía.
3. Colocar la máquina de manera que el carburador quede orientado hacia arriba [9].
4. Use una llave de cubo de 14 mm y retire los dos pernos de la cuchilla [10], así como también las arandelas especiales [11] del conjunto de mando de la cuchilla [14]. Utilice un taco de madera para evitar que la(s) cuchilla(s) gire(n) al aflojar y retirar los pernos.
5. Retire la cuchilla superior de trituración [13] y la cuchilla inferior de trituración [12].



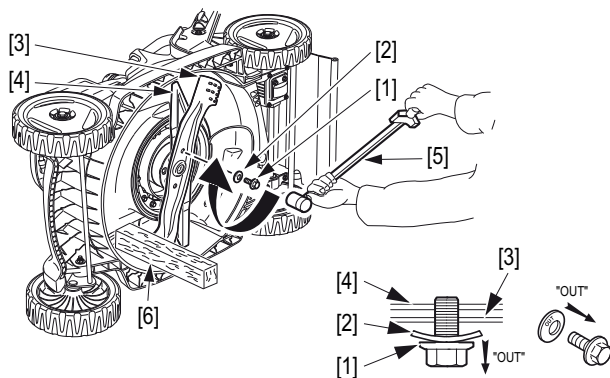
## MONTAJE DE LA CUCHILLA

1. Limpie la suciedad y la hierba recortada que se encuentre alrededor de la zona de montaje de la cuchilla.
2. Instale la cuchillas [3] [4] utilizando los dos pernos de las cuchillas [1] y las arandelas especiales [2] tal como se muestra. Montar las arandelas especiales, colocando la cara convexa, marcada con "OUT", de cara al tornillo.

Los pernos de la cuchilla están diseñados especialmente para esta aplicación y no deben ser reemplazados con otro tipo de pernos.

3. Apriete los pernos de la cuchilla con una llave dinamométrica [5]. Use un taco de madera [6] para evitar que las cuchillas giren.

**El par de torsión para los pernos de la cuchilla debe ser: 49 a 59 Nm**



### PRECAUCIÓN:

- Si no dispone de llave dinamométrica, haga que un concesionario Honda homologado apriete los tornillos de la cuchilla apropiadamente antes de utilizar la máquina.
- Si los tornillos de la cuchilla están demasiado apretados o flojos, pueden romperse o desatornillarse.

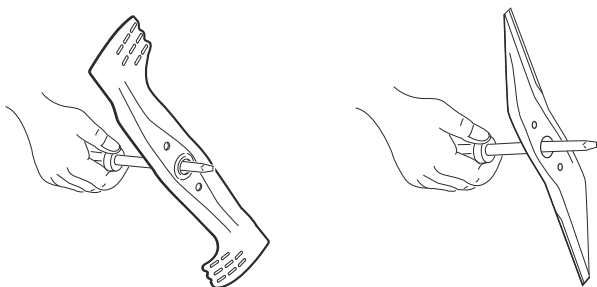
### ⚠ ADVERTENCIA :

Si utiliza esta cortadora de césped sólo con una hoja, ésta quedará mal asentada y podría resultar expulsada de la cortadora con lo que podría herir de gravedad o incluso matar a alguien.

Utilice siempre ambas hojas como un conjunto.

**NOTA:** No inclinar nunca el cortacésped de forma que el carburador esté orientado hacia abajo, ya que sería difícil volver a arrancar.

## CAMBIO DE LA CUCHILLA



### PRECAUCIÓN:

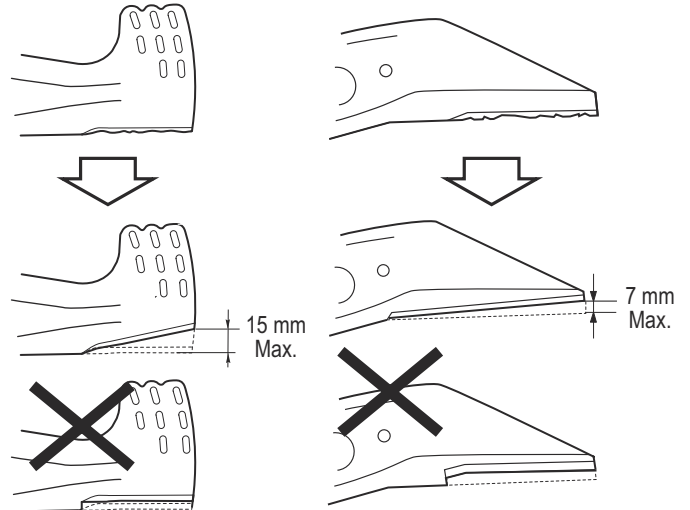
- El equilibrio de la cuchilla es crítico para un funcionamiento correcto del cortacésped. Reemplace cualquier cuchilla que esté en malas condiciones o desequilibrada.
- Utilizar cuchillas de repuesto Honda de origen.

## AFILADO DE LA CUCHILLA

1. Afilar los extremos cortantes de la cuchilla con una lima. Lime sólo los lados superiores. Mantenga el biselado original para obtener una perfecta superficie cortante. Lime ambos lados finamente para mantener el equilibrio de la cuchilla.
2. Después del afilado, compruebe el equilibrio de la cuchilla usando un destronillador tal como se muestra. Si cualquier de los lados se inclina por debajo del horizontal, lime ese lado. Reemplace la cuchilla si se inclina excesivamente.

### PRECAUCIÓN:

- Con el fin de evitar la debilitación de las cuchillas, provocar su desequilibrio y/u obtener un corte de mala calidad, haga afilar la cuchilla por personal competente de un concesionario homologado Honda.



## LIMPIEZA DEL SACO

### LIMPIEZA DEL SACO

#### PRECAUCIÓN:

- El saco no puede lavarse con un chorro de vapor o de agua a alta presión, pues se deterioraría.
- Las mallas obstruidas impiden que la hierba entre en el saco.
- Para limpiar el saco, se recomienda lavarlo con un chorro de agua dirigido del exterior hacia el interior. Antes de utilizarlo de nuevo debe secarse perfectamente. Si el saco está mojado, se obstruirá con suma rapidez.



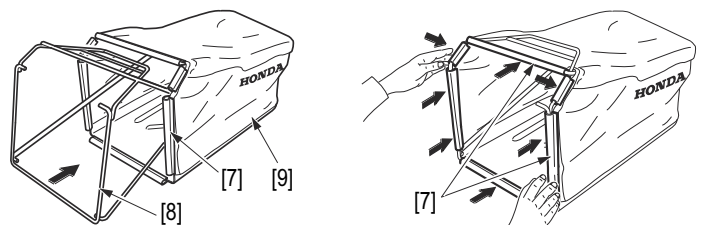
### ⚠ ADVERTENCIA :

Los objetos golpeados por la cuchilla pueden ser lanzados a través del saco de hierba cuando éste esté rasgado o deteriorado. Los objetos lanzados pueden provocar lesiones graves. Cambiar un saco de hierba rasgado o deteriorado.

## CAMBIO DE LA BOLSA

Incluso en condiciones normales de utilización, el saco de recogida tiene tendencia a desgastarse y conviene por lo tanto comprobar regularmente que no está deshilachado o rasgado. Cambiar un saco deteriorado únicamente por un saco de repuesto Honda.

1. Separar los bordes de plástico [7] del saco [9] usado y retirarlo del marco [8] del saco.
2. Introducir el marco en el nuevo saco y fijar los bordes de plástico [7] en el marco.



## CALENDARIO DE MANTENIMIENTO

Mantenimiento a efectuar a los intervalos indicados en meses o en horas de funcionamiento, seleccionando el mejor plazo alcanzado.		Periodicidad				
		En cada uso	Después de 1 mes o 5 horas	Cada 3 meses o 25 horas	Cada 6 meses o 50 horas	Todos años o 100 horas
Elemento	Operación					
Aceite motor	Comprobar el nivel					
	Cambiar				(1)	
Filtro de aire	Verifique					
	Limpiar			(1)		
	Cambiar					(1)
Saco de recogida	Limpiar					
Enroscado de los tornillos de la cuchilla y estado de la cuchilla	Verifique					
Bujía de encendido	Verifique					
	Limpiar					
Parachispas (Parte opcional)	Limpiar				(6)	
Cable de ROTOSTOP (3)	Verifique		(2)		(2)	
	Ajustar si es necesario		(2)		(2)	
Cable de freno de cuchilla (4)	Verifique					
	Ajustar si es necesario		(2)		(2)	
ROTOSTOP (3)	Verifique		(2)		(2)	
Cable de cambio de velocidad (5)	Verifique					
Cable de mando de gases	Verifique		(2)		(2)	
	Ajustar si es necesario		(2)		(2)	
Holgura de las valvulas	Ajustar si es necesario					(2)
Depósito de gasolina	Limpiar				(2)	
Tubería de gasolina	Verifique (cambiar si es necesario)	Cada 2 años (2)				
Ferodo del freno del volante (4)	Verifique			(2)		
Courrea de transmisión (5)	Verifique				(2)	
Bastidor del cortacéspedes	Limpiar					

- (1) Incrementar la frecuencia de limpieza en caso de utilización en ambientes polvorientos o temperaturas elevadas.
- (2) El mantenimiento de estos puntos debe ser efectuado por el concesionario homologado Honda.
- (3) Tipos HYEА, VYEА
- (4) Tipos PKEА, VKEА
- (5) Tipos HYEА, VKEА, VYEА
- (6) En Europa y otros países donde este en vigor la directiva de maquinaria 2006/42/CEE, esta limpieza deberá ser realizada por el servicio oficial.

# DIAGNÓSTICO DE AVERÍAS

## EL MOTOR NO ENCIENDE

Causa posible	Medidas correctivas
La llave de gasolina está en la posición OFF (cerrado).	Gire la llave de gasolina hasta la posición de ON (abierta) (página 7).
La palanca de mando de gases se encuentra en la posición incorrecta.	Mueva la palanca de mando de gases hasta la posición "RÁPIDO", (página 7).
No tiene gasolina.	Abastezca de gasolina (página 4).
Combustible deteriorado; el cortacéspedes se almacenó sin dar tratamiento a la gasolina o sin drenarla, o se abasteció con gasolina deteriorada.	Recargue el tanque con gasolina fresca (página 4).
La bujía está defectuosa, dañada o mal calibrada.	Limpie, ajuste la separación de los electrodos o cambie la bujía (página 10).
La bujía está húmeda con gasolina (motor ahogado).	Seque e instale nuevamente la bujía. Arranque el motor, con la palanca del acelerador en la posición "RÁPIDA".
Respiradero del depósito de gasolina obstruido, carburador sucio o encendido defectuoso.	El mantenimiento de estos puntos debe ser efectuado por el concesionario homologado Honda.
La palanca de freno la cuchilla no está mantenerla apretada contra el manillar (modelos equipados).	La palanca de freno de cuchilla debe estar apretada contra el manillar (página 11).

## PÉRDIDA DE POTENCIA

Causa posible	Medidas correctivas
La palanca de mando de gases no está colocada en la posición "RÁPIDO".	Desplace la palanca de mando de gases hasta la posición "RÁPIDO" (página 7).
El césped está muy crecido para cortarlo.	Eleve el alto de corte (página 5), corte una ringlera más angosta (página 9), o corte más frecuentemente. Ajuste la perilla del director del corte.
El bastidor del cortacéspedes está atorado.	Limpie el bastidor del cortacéspedes (página 11).
Filtro de aire obstruido.	Limpie o sustituya el filtro de aire (página 9).
El combustible está deteriorado; el cortacéspedes se almacenó conteniendo gasolina en el tanque y ésta no recibió tratamiento alguno, o la unidad se abasteció con combustible de mala calidad.	Recargue el tanque de combustible con gasolina fresca (página 4).
Respiradero del depósito de gasolina obstruido, carburador sucio o encendido defectuoso.	El mantenimiento de estos puntos debe ser efectuado por el concesionario homologado Honda.

## CORTE DE MALA CALIDAD O BAJO RENDIMIENTO DE CORTE Y EMBOLSADO

Causa posible	Medidas correctivas
La velocidad del motor es muy baja para cortar adecuadamente.	Desplace la palanca de mando de gases hasta la posición "RÁPIDO" (página 7).
El cortacéspedes avanza muy rápidamente para las condiciones del césped.	Seleccionar una velocidad más lenta (modelos equipados) o empujar más lentamente.
El saco para céspedes está completamente lleno o atorado.	Vacíe el saco para césped. Lave el saco para césped si está atorado con suciedad (páginas 9 y 12).
El bastidor del cortacéspedes está atorado.	Limpie el bastidor del cortacéspedes (página 11).
La(s) cuchilla(s) está(n) sin filo, gastada(s) o dañada(s).	Afile o cambie la(s) cuchilla(s) (página 12).
Se instaló una cuchilla o cuchillas inadecuada(s).	Instale la(s) cuchilla(s) correctas (página 12).

## VIBRACIÓN

Causa posible	Medidas correctivas
La(s) cuchilla(s) está(n) suelta(s), dobladas, dañada(s) o desequilibrada(s) debido a un afilado defectuoso.	Apriete los pernos sueltos de la cuchilla. Cambie la(s) cuchilla(s) dañada(s) (página 12).
Ha ocurrido un daño mecánico, el árbol de levas podría estar doblado/	El mantenimiento de estos puntos debe ser efectuado por el concesionario homologado Honda.

# ALMACENAMIENTO

## PREPARACIÓN ANTES DE ALMACENAR EL CORTACÉSPED



Proceder a las operaciones siguientes, con el fin de proteger la máquina siempre que deba guardarse durante un período superior a 30 días.


### ⚠️ ADVERTENCIA :

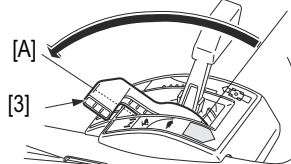
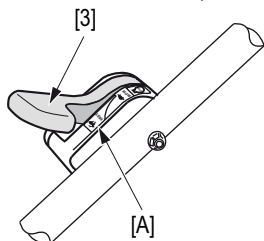
**No vaciar el depósito de gasolina con el tubo de escape caliente.**

1. Vaciar el depósito de gasolina y el carburador en un recipiente adecuado [1]:

a. Abrir la llave de gasolina [2].

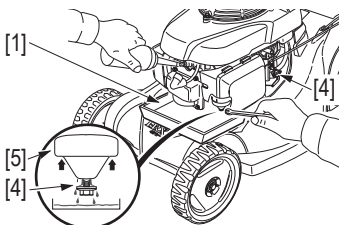


b. Colocar la palanca de mando de gases [3] en la posición "RÁPIDO" [A] .

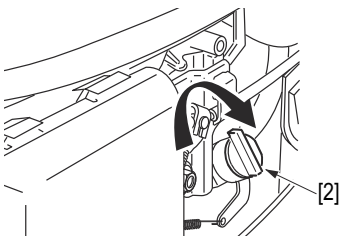


c. Quitar el tapón de vaciado [4] (1/4 - 1/2 del turno máxima).

d. Levantar la cuba de carburador [5] para drenar.



e. Poner de nuevo el tapón de vaciado y cerrar el grifo de gasolina [2].



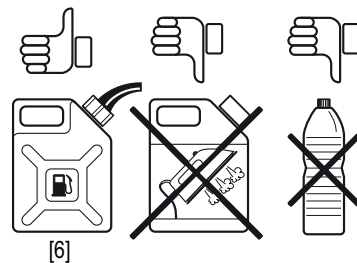
2. Cambiar el aceite del motor ([véase página 10](#)).
3. Tirar del lanzador hasta notar una resistencia. Esto permite cerrar las válvulas y protegerlas contra el polvo y la corrosión.
4. Untar las superficies que puedan oxidarse con una ligera capa de aceite. Tapar la máquina y guardarla en un suelo plano y un lugar seco al amparo del polvo. No utilizar funda de plástico puesto que este tipo de material retiene la humedad.

**NOTA:** Si la máquina debe ser guardada durante un período superior a 3 meses, retirar la bujía de encendido y verter 5 a 10 cm<sup>3</sup> de aceite de motor limpio en el cilindro, tirar a continuación suavemente dos o tres veces del lanzador con el fin de repartir el aceite. No dejar la máquina volcada lateralmente durante un largo período. Esto puede causar un arranque difícil del motor y una fuga del aceite de transmisión.

## ALMACENAMIENTO DEL CARBURANTE

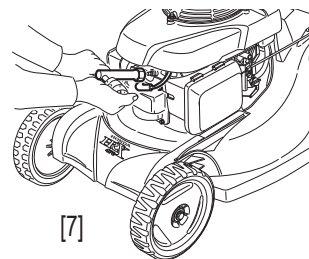
### NOTA:

- La gasolina se oxidará y se deteriorará durante el almacenamiento. La gasolina vieja puede causar dificultades en el encendido y deja depósitos de goma que obstruyen el sistema de combustible. Si la gasolina contenida en el motor se deteriora durante el almacenamiento, el carburador y otros componentes del sistema de combustible podrían necesitar repararse o cambiarse.
- Tenga cuidado de utilizar contenedores específicamente diseñados para hidrocarburos [6]. Esto evitará que el combustible se contamine debido a la disolución de partículas del recipiente, lo que puede provocar fallos en el funcionamiento del motor.
- Almacenar el carburante al abrigo de la luz del día, en un local a temperatura constante (evitar los cobertizos de jardines).
- La garantía no cubre la obstrucción del carburador ni el endurecimiento de las válvulas debido a la utilización de gasolina pasada o sucia.
- La calidad del carburante sin plomo se altera con mucha rapidez (2 - 3 semanas en algunos casos); no utilice carburante de más de un mes. Almacene el mínimo estrictamente necesario para el consumo mensual.



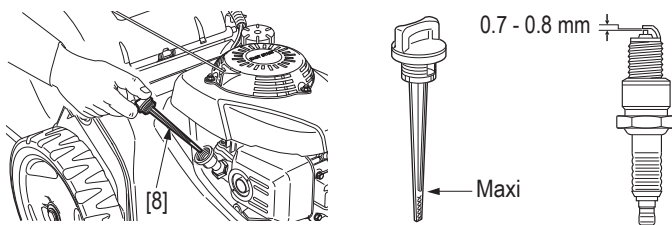
## REUTILIZACIÓN DESPUÉS DEL ALMACENAMIENTO

1. Retirar la bujía de encendido [7], verificar si está limpia y si la separación de los electrodos es correcta. Tirar del lanzador varias veces.



2. Se recomienda enroscar la bujía con la mano hasta el máximo y a continuación utilizar una llave para bujías para darle todavía de 1/8 a 1/4 de vuelta adicional.

3. Verificar el nivel y el estado de aceite del motor [8].



4. Llenar el depósito de gasolina y poner el motor en marcha

**NOTA:** Si el cilindro está untado de aceite, el motor echará humo al arrancar pero eso es normal.

# TRANSPORTE

## TRANSPORTE EL CORTACÉSPED

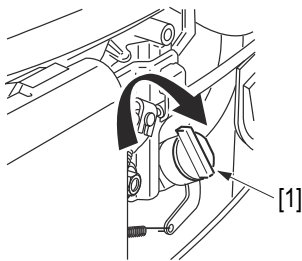


### ⚠ ADVERTENCIA:

Para no correr el riesgo de derramar gasolina o aceite, no inclinar la máquina. La gasolina derramada o los vapores de gasolina pueden incendiarse.

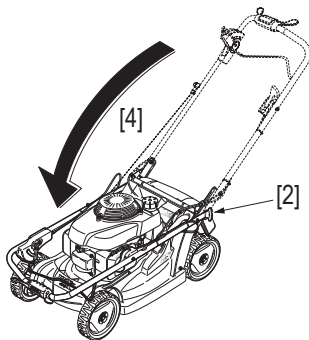
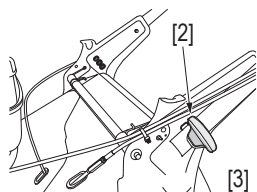
Para transportar el cortacésped:

1. Poner la palanca de mando de gases en la posición "PARADA" (excepto tipos PKEA, VKEA).
2. Quitar la caperuza de bujía.
3. Cerrar la llave de gasolina [1].



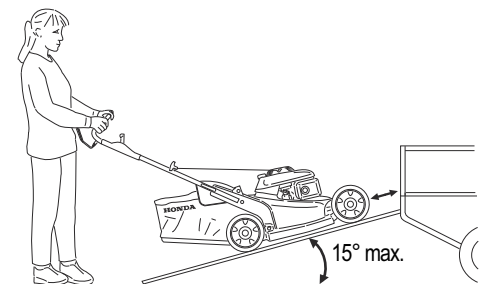
Per maggior comodità:

1. Retirar la bolsa de recogida (véase página 12).
2. Girar los botones de plegado/ajuste del manillar [2] un cuarto de vuelta hasta la posición desbloqueada [3].
3. Replegar el manillar [4].



**NOTA:** Al doblar el manillar, comprobar que los cables no estén anudados, torcidos o demasiado tensos.

## CARGA DEL CORTACÉSPED



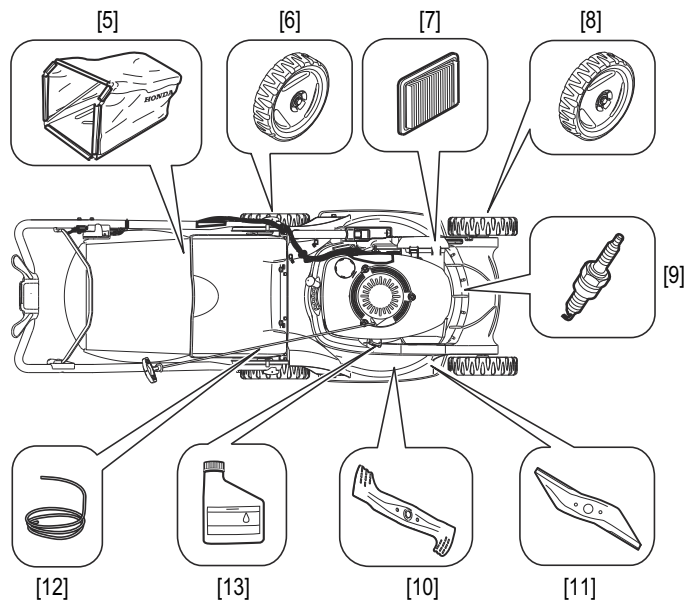
### PRECAUCIÓN:

- Para evitar cualquier riesgo de pérdida de control o de deterioro del cortacésped, no usar el sistema tractor cuando se sube o baja la máquina en una rampa de carga.
- Para evitar el deterioro del sistema tractor, no acoplar el embrague cuando la máquina funcione en marcha atrás.
- Transportar el cortacésped en posición horizontal normal, pisando bien sus cuatro ruedas la plataforma del vehículo.
- Se recomienda hacer uso de una rampa de carga, o pedir la ayuda de alguien, para cargar o descargar el cortacésped.
- Colocar la rampa de carga de tal forma que su inclinación tenga un ángulo inferior a 15°.
- Al transportar el cortacésped, inmovilizarlo con cintas y poner calzas debajo de las ruedas.
- Las cintas no deben estar en contacto con los siguientes elementos del cortacésped: la manecilla de mando de gas, la palanca de embrague de cuchilla, el depósito de gasolina, y el conjunto de los cables de mando.

# INFORMACIÓN ÚTIL

## PARA ENCONTRAR UN CONCESIONARIO OFICIAL

Visite el sitio web en Internet para Europa:  
<http://www.honda-eu.com>



## RECAMBIOS, ACCESORIOS OPCIONALES Y CONSUMIBLES

Póngase en contacto con un distribuidor oficial Honda para comprar alguna de las piezas originales relacionadas a continuación, o para cualquier otro recambio.

HRX476C			
Recambios			
[5]	Bolsa de hierba	81320-VK8-J50	Sólo bolsa (sin chasis)
[6]	Rueda posterior	42710-VK8-J50ZA	
[7]	Filtro de aire	17211-ZL8-023	Filtro de papel
[8]	Rueda delantera	44710-VK8-J50ZA	
[9]	Bujía de encendido	98079-55846	NGK (marca): BPR5ES (modelo)
[10]	Cuchilla estándar	72511-VK8-J50	Es preciso utilizar llave dinamométrica
[11]	Cuchilla estándar	72531-VK8-J50	
[12]	Arrancador del retroceso	28462-ZL8-631	Acuda a su concesionario Honda para sustituirlas
Consumibles			
[13]	Aceite de motor	08221-888-061HE SAE 10W30, 0,6 ℓ	Aceite para motores de 4 tiempos,

### ⚠ ADVERTENCIA:

Para su seguridad, está formalmente prohibido subir cualquier otro accesorio que el específicamente concebido para su modelo y tipo de Motozada, alistado arriba.



# ESPECIFICACIONES TÉCNICAS

MODELO		HRX476C			
TIPOS		PKEA	VKEA	VYEA	HVEA
<b>CARACTERÍSTICAS GENERALES</b>					
Código de descripción		MASF			
Funcione		Cortar el césped			
Dimensiones L x An. x Al.	mm	1 600 x 530 x 1 010	1 545 x 530 x 960		1 610 x 530 x 1 035
Peso en vacío	kg	36	39	42	44
Vía Del/Tras	mm	430 / 453			
Anchura de corte	mm	470			
Reglajes de altura de corte	mm	7 posiciones (25 a 79 mm)			
Diámetro de las ruedas Del/Tras	mm	212 / 212			
Capacidad de la bolsa de recogida	ℓ	69			
Nivel de presión acústica en el puesto de conducción (según directiva EN 836: 1997 + A4: 2011)	dB(A)	81,5			
Incertidumbre de medida	dB(A)	1			
Nivel de potencia medida sonido (según directivas 2000/14/EC, 2005/88/EC)	dB(A)	94			
Incertidumbre de medida	dB(A)	1			
Nivel de potencia acústica garantida (según directivas 2000/14/EC, 2005/88/EC)	dB(A)	95			
Niveles de vibración (según directivas EN 836: 1997 + A4: 2011, EN12096-D: 1997) (**)	m/s <sup>2</sup>	2,8			
Incertidumbre de medida	m/s <sup>2</sup>	0,9			
<b>MOTOR</b>					
Modelo		GCV160A			
Tipo		Motor de 4 tiempos con válvulas en cabeza, refrigeración por airee			
Cilindrada	cm <sup>3</sup>	160			
Diámetro x Recorrido del embolo		64 x 50			
Refrigeración		Aire forzado			
Lubricación		Por proyección			
Grado de compresión		8,5 : 1			
Potencia neta (*)	kW/rev./min.	3,3 / 3 600			
Potencia nominal	kW/rev./min.	2,7 / 2 800			
Velocidad regulada de utilización	rev./min.	2 800 <sup>+0</sup> -100			
Velocidad de ralentí	rev./min.	1 700 ± 150			
Encendido		Magneto-transistorizado			
Bujía		NGK : BPR5ES			
Distancia entre electrodos	mm	0,7 - 0,8			
Filtro de aire		Semiseco, con dos elementos			
Carburante recomendado		Sin plomo 95 e 98			
Capacidad del depósito de gasolina	ℓ	0,91			
Consumo gasolina	ℓ/h	1,1			
Autonomía (*)	h	0,8			
Aceite recomendado		SAE 10W30			
Capacidad aceite motor	ℓ	0,5			
<b>TRANSMISIÓN</b>					
Tipo		-	Fricción por conos		Idrostatica
Motor hacia transmisión		-	Correa triangular		
Transmisión final		-	Engranaje		
Número de velocidades		-	Variación continua		
Velocidad de avance	m/s	-	0 ~ 1,4		
Lubricación		-	Aceite y proyección		
Lubricante recomendado		-	SAE 10W30 API Grade SL / SJ		Honda HST
Capacidad de aceite	cm <sup>3</sup>	-	150		140

(\*) La clasificación de potencia del motor al que se hace referencia en este documento corresponde a la potencia producida neta probada en un motor a la venta para el modelo GCV160A y medida de acuerdo con la norma SAE J1349 a 3 600 rev/min. (potencia neta). Los motores de fabricación en serie pueden ofrecer valores distintos. La potencia producida real para el motor instalado en la máquina final variará dependiendo de numerosos factores, entre ellos la velocidad de funcionamiento del motor durante su utilización, las condiciones medioambientales, el mantenimiento y otras variables.

(\*\*) Valores de la máquina equipada con recogedor, en posición de recogida.



# Major Honda distributor addresses

## Adresses des principaux concessionnaires Honda

## Adressen der wichtigsten Honda-Haupthändler

## Elenco dei maggiori distributori Honda in Europa

## Adressen van Honda-importeurs

## Direcciones de los principales concesionarios Honda

### AUSTRIA

Honda Austria Branch of  
Honda Motor Europe Ltd.  
Hondastraße 1  
2351 Wiener Neudorf  
Tel. : +43 (0)2236 690 0  
Fax : +43 (0)2236 690 480  
http://www.honda.at  
✉ HondaPP@honda.co.at

### BALTIC STATES

(Estonia / Latvia / Lithuania)  
Honda Motor Europe Ltd. Eesti filiaal  
Tuliika 15/17  
10613 Tallinn  
Tel. : +372 6801 300  
Fax : +372 6801 301  
✉ honda.baltic@honda-eu.com

### BELGIUM

Honda Motor Europe Ltd.  
Belgian Branch  
Doornveld 180-184  
1731 Zellik  
Tel. : +32 2620 10 00  
Fax : +32 2620 10 01  
http://www.honda.be  
✉ BH\_PE@HONDA-EU.COM

### BULGARIA

Kirov Ltd.  
49 Tsaritsa Yoana blvd  
1324 Sofia  
Tel. : +359 2 93 30 892  
Fax : +359 2 93 30 814  
http://www.kirov.net  
✉ honda@kirov.net

### CROATIA

Hongoldonia d.o.o.  
Vrbaska 1c  
31000 Osijek  
Tel. : +38531320420  
Fax : +38531320429  
http://www.hongoldonia.hr  
✉ prodaja@hongoldonia.hr

### CYPRUS

Alexander Dimitriou & Sons Ltd.  
162, Yiannos Kranidiotis Avenue  
2235 Latsia, Nicosia  
Tel. : + 357 22 715 300  
Fax : + 357 22 715 400

### CZECH REPUBLIC

BG Technik cs, a.s.  
U Zavodiste 251/8  
15900 Prague 5 - Velka Chuchle  
Tel. : +420 2 838 70 850  
Fax : +420 2 667 111 45  
http://www.honda-stroje.cz

### DENMARK

TIMA A/S  
Tårnfalkevej 16  
2650 Hvidovre  
Tel. : +45 36 34 25 50  
Fax : +45 36 77 16 30  
http://www.hondapower.dk

### FINLAND

OY Brandt AB.  
Tuupakantie 7B  
01740 Vantaa  
Tel. : +358 207757200  
Fax : +358 9 878 5276  
http://www.brandt.fi

### FRANCE

Honda Motor Europe Ltd.  
Relation Clients Produits d'équipements  
Parc d'activités de Pariest, Allée du 1er mai  
Croissy Beaubourg BP46, 77312 Marne  
La Vallée Cedex 2  
Tél. : 01 60 37 30 00  
Fax : 01 60 37 30 86  
http://www.honda.fr  
✉ espace-client@honda-eu.com

### GERMANY

Honda Deutschland Niederlassung  
der Honda Motor Europe Ltd.  
Hanauer Landstraße 222-224  
D-60314 Frankfurt  
Tel. : 01805 20 20 90  
Fax : +49 (0)69 83 20 20  
http://www.honda.de  
✉ info@post.honda.de

### GREECE

Saracakis Brothers S.A.  
71 Leoforos Athinon  
10173 Athens  
Tel. : +30 210 3497809  
Fax : +30 210 3467329  
http://www.honda.gr  
✉ info@saracakis.gr

### HUNGARY

Motor Pedo Co., Ltd.  
Kamaraerdei ut 3.  
2040 Budaors  
Tel. : +36 23 444 971  
Fax : +36 23 444 972  
http://www.hondakisgepek.hu  
✉ info@hondakisgepek.hu

### ICELAND

Bernhard ehf.  
Vatnagarðar 24-26  
104 Reykjavík  
Tel. : +354 520 1100  
Fax : +354 520 1101  
http://www.honda.is

### IRELAND

Two Wheels Ltd.  
M50 Business Park, Ballymount  
Dublin 12  
Tel. : +353 1 4381900  
Fax : +353 1 4607851  
http://www.hondaireland.ie  
✉ Service@hondaireland.ie

### ITALY

Honda Italia Industriale S.p.A.  
Via della Cecchignola, 13  
00143 Roma  
Tel. : +848 846 632  
Fax : +39 065 4928 400  
http://www.hondaitalia.com  
✉ info.power@honda-eu.com

### MALTA

The Associated Motors  
Company Ltd.  
New Street in San Gwakkın Road  
Mriehel Bypass, Mriehel QRM17  
Tel. : +356 21 498 561  
Fax : +356 21 480 150

### NETHERLANDS

Honda Motor Europe Ltd.  
Afd, Power Equipment Capronilaan 1  
1119 NN Schiphol-Rijk  
Tel. : +31 20 7070000  
Fax : +31 20 7070001  
http://www.honda.nl

### NORWAY

Berema AS  
P.O. Box 454  
1401 Ski  
Tel. : +47 64 86 05 00  
Fax : +47 64 86 05 49  
http://www.berema.no  
✉ berema@berema.no

### POLAND

Aries Power Equipment Sp. z o.o.  
ul. Wroclawska 25  
01-493 Warszawa  
Tel. : +48 (22) 861 43 01  
Fax : +48 (22) 861 43 02  
www.ariespower.pl, www.mojahonda.pl  
✉ info@ariespower.pl

### PORTUGAL

Honda Motor Europe Ltd. -  
Sucursal em Portugal  
Rua Fontes Pereira de Melo 16  
Abrunheira, 2714-506 Sintra  
Tel. : +351 21 915 53 00  
Fax : +351 21 925 88 87  
http://www.honda.pt  
✉ honda.produtos@honda-eu.com

### REPUBLIC OF BELARUS

Scanlink Ltd.  
Kozlova Drive, 9  
220037 Minsk  
Tel. : +375 172 999090  
Fax : +375 172 999900  
http://www.hondapower.by

### ROMANIA

Hit Power Motor Srl  
str. Vasile Stroescu nr. 12, Camera 6, Sector 2  
021374 Bucuresti  
Tel. : +40 21 637 04 58  
Fax : +40 21 637 04 78  
http://www.honda.ro  
✉ hit\_power@honda.ro

### RUSSIA

Honda Motor RUS LLC  
1, Pridirizhnaya Street, Sharapovo settlement,  
Naro-Fominsky district,  
Moscow Region, 143350 Russia  
Tel. : +7(495) 745 20-80  
Fax : +7 (495) 745 20 81  
http://www.honda.co.ru  
✉ postoffice@honda.co.ru

### SERBIA & MONTENEGRO

BPP Group d.o.o.  
Generala Horvatovica 68  
11000 Belgrade  
Tel. : +381 11 3820 295  
Fax : +381 11 3820 296  
http://www.hondasrbija.co.rs  
✉ honda@bazis.co.rs

### SLOVAK REPUBLIC

Honda Motor Europe Ltd. Slovensko,  
organizáčna zložka  
Prievozská 6 821 09 Bratislava  
Tel. : +421 2 32131112  
Fax : +421 2 32131111  
http://www.honda.sk

### SLOVENIA

AS Domzale Moto Center D.O.O.  
Blatnica 3A  
1236 Trzin  
Tel. : + 386 1 562 22 62  
Fax : + 386 1 562 37 05  
www.honda-as.com  
✉ informacije@honda-as.com

### SPAIN & LAS PALMAS PROVINCE (Canary Islands)

Greens Power Products, S.L.  
Poligono Industrial Congost -  
Av Ramon Ciurans n°2  
08530 La Garriga - Barcelona  
Tel. : +34 93 860 50 25  
Fax : +34 93 871 81 80  
http://www.hondaencasa.com

### SWEDEN

Honda Motor Europe Ltd. filial Sverige  
Box 31002-Långhusgatan 4  
215 86 Malmö  
Tel. : +46 (0)40 600 23 00  
Fax : +46 (0)40 600 23 19  
http://www.honda.se  
✉ hpesinfo@honda-eu.com

### SWITZERLAND

Honda Motor Europe Ltd. Slough  
Succursale de Satigny/Genève  
10, Route des Moulrières  
1214 Vernier - Genève  
Tel. : +41 (0)22 939 09 07  
Fax : +41 (0)22 939 09 97  
http://www.honda.ch

### TENERIFE PROVINCE

(Canary Islands)  
Automocion Canarias S.A.  
Carretera General del Sur, KM. 8.8  
38107 Santa Cruz de Tenerife  
Tel. : +34 (922) 620 617  
Fax : +34 (922) 618 042  
http://www.aucasa.com  
✉ ventas@aucasa.com  
✉ taller@aucasa.com

### TURKEY

Anadolu Motor Uretim ve  
Pazarlama AS  
Esentepe mah. Anadolu  
cad. No: 5  
Kartal 34870 Istanbul  
Tel. : +90 216 389 59 60  
Fax : +90 216 353 31 98  
http://www.anadolumotor.com.tr  
✉ antor@antor.com.tr

### UKRAINE

Honda Ukraine LLC  
101 Volodymyrska Str. - Build. 2  
Kyiv 01033  
Tel. : +380 44 390 14 14  
Fax : +380 44 390 14 10  
http://www.honda.ua  
✉ CR@honda.ua

### UNITED KINGDOM

Honda Motor Europe Ltd.  
470 London Road  
Slough - Berkshire, SL3 8QY  
Tel. : +44 (0)845 200 8000  
http://www.honda.co.uk

## "EC Declaration of Conformity" CONTENT OUTLINE

### "CE-Déclaration de conformité" DESCRIPTION DE TABLE DES MATIERES

### "EU-Konformitätserklärung" INHALTSÜBERSICHT

### DESCRIPCION GENERAL DEL CONTENIDO DE LA "Declaración de Conformidad CE"

### DESCRIZIONE DEL CONTENUTO DELLA "Dichiarazione CE di Conformità"

## EC Declaration of Conformity

1. The undersigned, Hiroki Chubachi, representing the manufacturer, herewith declares that the machinery described below fulfils all the relevant provisions of:

- Directive 2006/42/EC on machinery
- Directive 2004/108/EC on electromagnetic compatibility
- Directive 2000/14/EC – 2005/88/EC on outdoor noise

2. Description of the machinery

a) Generic denomination: Lawnmower

b) Function: Cutting of grass

c) Commercial name	d) Type	e) Serial number
*1	*1	

3. Manufacturer and able to compile the technical documentation  
Honda France Manufacturing S.A.S.

Pôle 45 – Rue des Châtagniers

45140 ORMES - FRANCE

4. References to harmonized standards

EN ISO 14982 :2009

EN 836 :1997 + A4 :2011

5. Other standards or specifications

N/A

6. Outdoor noise Directive

a) Measured sound power dB(A): \*1

b) Guaranteed sound power dB(A): \*1

c) Noise parameter: \*1

d) Conformity assessment procedure: ANNEX VI

e) Notified body: IRSTEA Notify body 0388

1 rue Pierre Gilles de Gennes

CS 10030 – 92761 Antony Cedex

ORMES – FRANCE

7. Done at:

8. Date:

Hiroki Chubachi  
President

Honda France Manufacturing S.A.S.

\*1: see specification page.

\*1: voir page de spécifications

\*1: Siehe Spezifikationen-Seite

\*1: consulte la página de las especificaciones

\*1: vedi la pagina delle caratteristiche tecniche

### Français (French)

Déclaration CE de Conformité  
1. Le soussigné, Hiroki Chubachi, représentant du constructeur, déclare que la machine décrit ci-dessous répond à toutes les dispositions applicables de

- Directive 2006/42/CE
- Directive 2004/108/CE sur la compatibilité électromagnétique

sonores dans l'environnement des matériels destinés à être utilisés à l'extérieur des bâtiments

2. Description de la machine

a) Dénomination générale : Tondeuse à gazon

b) Fonction : couper de l'herbe (tondre)

c) Nom Commercial d) Type

e) Numéro de série

3. Constructeur et en charge des éditions de documentation techniques

4. Références aux normes harmonisées

- Directives 2006/42/CE et 2004/108/CE
- Directive 2000/14/CE et Directive 2005/88/CE

5. Autres normes et spécifications

6. Description des matériels destinés à être utilisés à l'extérieur des bâtiments

a) Puissance acoustique mesurée

b) Puissance acoustique garantie

c) Paramètre du bruit

d) Procédure d'évaluation de conformité

e) Organisme notifié

8. Date

### Italiano (Italian)

Dichiarazione CE di Conformità  
1. Il sottoscritto, Hiroki Chubachi, in rappresentanza del costruttore, dichiara di seguito che la macchina sotto descritta soddisfa tutte le disposizioni pertinenti delle:

- Direttiva 2006/42/CE
- Direttiva 2004/108/CE sulla compatibilità elettromagnetica

attrezzature destinate a funzionare all'aperto

2. Descrizione della macchina

a) Denominazione generica : Tonerba

b) Funzione : Taglio di erba

c) Denominazione commerciale d) Tipo

e) Numero di serie

3. Costruttore e competente per la compilazione della documentazione tecnica

4. Riferimento agli standard armonizzati

- Direttive 2006/42/CE e 2004/108/CE
- Direttive 2000/14/CE e 2005/88/CE

5. Altri standard o specifiche

6. Direttiva sulle emissioni acustiche delle macchine e attrezzature destinate a funzionare all'aperto

a) Potenza sonora misurata

b) Potenza sonora garantita

c) Parametri emissione acustica

d) Procedura di valutazione della conformità

e) Organismo notificato

8. Data

### Deutsch (German)

EG-Konformitätserklärung  
1. Der Unterzeichner, Hiroki Chubachi, der den Hersteller vertritt, erklärt hiermit dass das hierunter genannte Maschine allen einschlägigen Bestimmungen der \*entspricht.

- Maschinenrichtlinie 2006/42/EG
- Richtlinie der Elektromagnetischen Kompatibilität 2004/108/EG

Geräuschrichtlinie im Freien 2000/14/EG – 2005/88/EG

2. Beschreibung der Maschine

a) Allgemeine Bezeichnung : Rasenmäher

b) Funktion : Gras schneiden

c) Handelsbezeichnung d) Typ

e) Seriennummer

3. Hersteller und in der Position, die technische Dokumentation zu erstellen

4. Verweis auf harmonisierte Normen

- Richtlinie 2006/42/EG
- Richtlinie 2004/108/EG

5. Andere Normen oder Spezifikationen

6. Geräuschrichtlinie im Freien

a) Gemessene Lautstärke

b) Garantierte Lautstärke

c) Geräuschleistungspegel

d) Konformitätsbewertungsablauf

e) Benannte Stelle

7. Ort

### Nederlands (Dutch)

EG-verklaring van overeenstemming  
1. Ondergetekende, Hiroki Chubachi, vertegenwoordiger van de constructeur, verklaart hiermee dat het hieronder beschreven machine voldoet aan alle toepasselijke bepalingen van:

- Richtlijn 2006/42/EG betreffende machines
- Richtlijn 2004/108/EG betreffende elektromagnetische overeenstemming

geluidsmissie (openlucht)

2. Beschrijving van de machine

a) Algemene benaming : Grasmaaiër

b) Functie : gras maaien

c) Handelsbenaming d) Type

e) Seriennummer

3. Fabrikant en in staat om de technische documentatie samen te stellen

4. Referentie naar de geharmoniseerde normen

- Richtlijn 2006/42/EG
- Richtlijn 2004/108/EG

5. Overige normen of specificaties

6. Geluidsmissierichtlijn (openlucht)

a) Gemeten geluidsvermogensniveau

b) Gewaarborgd geluidsvermogensniveau

c) Geluidsparameter

d) Conformiteitsbeoordelingsprocedure

e) Aangemelde instantie

8. Datum

### Dans (Danish)

EU OVERENSTEMMELSEERKLÆRING  
1. UNDERTEGNED, Hiroki Chubachi, SOM REPRÆSENTANTER PRODUKTEN, ERKLÆRER HERMED AT MASKINEN, SOM ER BESKREVET NEDENFOR, OPFYLDER ALLE RELEVANTE BESTEMMELSER I FØLGENDE:

- EMC-DIREKTIV 2006/42/EF
- EMC-DIREKTIV 2004/108/EF

2. BESKRIVELSE AF PRODUKTET

a) FÆLLESBETEGNELSE : Plæneklipper

b) ANVENDELSE : Græsklipning

c) HANDELSBETEGNELSE d) TYPE

e) SERIENUMMER

3. Fabrikanten og i stand til at udarbejde den tekniske dokumentation

4. Referencer til harmoniserede standarder

- EMC-DIREKTIV 2006/42/EF
- EMC-DIREKTIV 2004/108/EF

5. Andre standarder eller specifikationer

6. Direktiv om støjløshed

a) Målt lyd effekt niveau

b) Garanteret lyd effekt niveau

c) Støjparameter

d) Procedure for overensstemmelsesvurdering

e) Bemyndiget organ

8. Dato

### Română (Romanian)

CE-Declaratie de Conformitate  
1. Subsemnatul Hiroki Chubachi, reprezentant al producătorului, declară prin prezenta fapturi ca echipamentul descris mai jos îndeplinește toate condițiile necesare din:

- Directiva 2006/42/CE privind echipamentul electromagnetic
- Directiva 2004/108/CE privind compatibilitatea electromagnetică

2. Descrierea echipamentului

a) Denumirea generică : Masina de tuns iarba

b) Domeniul de utilizare : tundearea ierului

c) Denumirea comercială d) Tip

e) Serie produs

3. Producător și abilitat să realizeze documentația tehnică

4. Referința la standardele armonizate

- Directiva 2006/42/CE privind echipamentul electromagnetic
- Directiva 2004/108/CE privind compatibilitatea electromagnetică

5. Alte standarde sau specificații

6. Directiva privind zgomotul

a) Puterea acustică măsurată

b) Puterea acustică maxim garantată

c) Indice poluare fonică

d) Procedura de evaluare a conformității

e) Notificari

8. Data

### Español (Spanish)

Declaración de Conformidad CE  
1. El firmante, Hiroki Chubachi, en representación del fabricante, adjunto declara que la máquina abajo descrita, cumple las cláusulas relevantes de:

- Directiva 2006/42/CE de maquinaria
- Directiva 2004/108/CE de compatibilidad electromagnética

2. Descripción de la máquina

a) Denominación genérica : Cortacésped

b) Función : Cortar el césped

c) Denominación comercial d) Tipo

e) Número de serie

3. Fabricante que puede compilar el expediente técnico

4. Referencia de los estándares armonizados

- Directiva 2006/42/CE de maquinaria
- Directiva 2004/108/CE de compatibilidad electromagnética

5. Otros estándar o especificaciones

6. Directiva sobre el ruido

a) Referencia de los estándares armonizados

b) Potencia sonora medida

c) Potencia sonora Garantizada

d) Parámetros ruido

e) Procedimiento evaluación conformidad

8. Fecha

### Svenska (Swedish)

EG-försäkran om överensstämmelse  
1. Undertecknad, Hiroki Chubachi, representant för tillverkaren, deklarerar härmed att maskinen beskriven nedan fullföljer alla relevanta bestämmelser enligt:

- Direktiv 2006/42/EG gällande maskiner
- Direktiv 2004/108/EG gällande elektromagnetisk kompatibilitet

2. Maskinbeskrivning

a) Allmän benämning : Gräsklippare

b) Funktion : gräsklippning

c) Och varumärke d) Typ

e) Serienummer

3. Tillverkare och ska kunna sammanställa teknisk dokumentation.

4. Referens till harmoniserade standarder

- Direktiv 2006/42/EG
- Direktiv 2004/108/EG

5. Andra standarder eller specifikationer

6. Direktiv för buller utomhus

a) Mätt ljudnivå

b) Garanterad ljudnivå

c) Buller parameter

d) Förfarande för bedömning

e) Anmälda organ

8. Datum

<p><b>Português (Portuguese)</b>  <b>Declaração de Conformidade</b>  1. O abako assinado, de Hironori Chubachi, representante do fabricante, declara que a máquina abaixo descrita cumpre todas as estipulações relevantes da:  * Diretiva 2006/42/CE de máquina  * Diretiva 2004/108/CE de compatibilidade eletromagnética  * Diretiva 2000/14/CE – 2005/88/CE de ruído exterior.  2. Descrição de máquina  a) Denominação genérica: Corta relva  b) Função: corte de relva  c) Modelo  d) Tipo  3. Produtores e/ou pessoas responsáveis pela documentação técnica  4. Referência a normas harmonizadas  5. Outras normas ou especificações  6. Direção de ruído exterior  a) Potência sonora medida  b) Potência sonora garantida  c) Parâmetro de ruído  d) Procedimento de avaliação da conformidade  e) Organismo notificado  8. Data</p>	<p><b>Polish (Polish)</b>  <b>Declaracja zgodności WE</b>  1. Niżej podpisany Hironori Chubachi, reprezentujący producenta, niniejszym deklaruje, że urządzenie opisane poniżej spełnia wszelkie właściwe postanowienia:  * Dyrektywy maszynowej 2006/42/WE  * Dyrektywy Kompatybilności Elektromagnetycznej 2004/108/WE  * Dyrektywa Hałasowa 2000/14/WE – 2005/88/WE  2. Opis urządzenia:  a) Nazwa ogólna: Kosiarzka  b) Funkcja: Ścinanie trawy  c) Model  d) Typ  3. Producent i/lub osoba odpowiedzialna do przygotowania dokumentacji technicznej  4. Zastosowane normy zharmonizowane  5. Pozostałe normy lub specyfikacje  6. Dyrektywa Hałasowa  a) Wzrostowy poziom mocy akustycznej  b) Gwarantowany poziom mocy akustycznej  c) Wartość hałasu  d) Procedura oceny zgodności  e) Jednostka notyfikowana  8. Data</p>	<p><b>Suomi / Suomen kieli (Finnish)</b>  <b>EY-VAAJITUNNISTUSVAKUUTUS</b>  1. Allekirjoittanut valmistaja Hironori Chubachi vakuuttaa täten, että alla mainittu kone/luote täyttää kaikki seuraavien määräysten vaatimukset:  * Konedirektiivi 2006/42/EY  * Elektromagneettisäädennäkösuojadirektiivi 2004/108/EY  * Äänitehoasetus 2000/14/EY – 2005/88/EY ympäristön melu  2. TUOTTEEN KUVAUS  a) Tuotteen yleinen kuvaus  b) Tuotteen malli  c) SARANUMERO  d) TYYPPI  3. Valmistaja ja teknisten dokumenttien laatija  4. Valtuutettu dokumentaation valmistaja  5. MUU STANDARDI JA TEKNISET TIEDOT  6. Muut tekniset tiedot  a) Mittaus menetelmä  b) Mittausolosuhteet  c) Teollinen tyyppi  d) Yhteisön vaatimusten arvioinnin menetelmä  7. TEHTY  8. PÄIVÄMÄÄRÄ</p>	<p><b>Lietuvių kalba (Lithuanian)</b>  <b>ES atitikties deklaracija</b>  1. Žemiau pasirašęs, p. Hironori Chubachi atstovaujantis gamintojui, deklaruoja, kad žemiau aprašyta mašina atitinka visų išvardintų direktyvų reikalavimus:  * Mechanizminių dirktyvų 2006/42/EB  * Elektromagnetinio suderinamumo direktyva 2004/108/EB  * Dirktvų 2000/14/EB – 2005/88/EB  2. Prietaiso aprašymas  3. Prietaiso pavadinimas: Žaigaliojė  4. Funkcija: Žolės pjūvimas  5. Modelis  6. Serijos numeras  7. Gamintojas ir galintis sudaryti techninę dokumentaciją  8. Nuorodos į suderintus standartus  9. Kiti standartai ir specifikacijos  10. Trūkšimo laukė direktyva  a) Įrenginio garso galios matavimas  b) Garantuojamas garso galios lygis  c) Trūkšimo parametras  d) Tipas  e) Registravimo įstaiga  8. Data</p>	<p><b>Български (Bulgarian)</b>  <b>ЕО декларация за съответствие</b>  1. Допълнителният се Hironori Chubachi, представляващ производителя, с настоящото декларира, че машината, описана по-долу, отговаря на всички съответни разпоредби на:  * Директива 2006/42/ЕО относно машините  * Директива 2004/108/ЕО относно електромагнитната съвместимост  * Директива 2000/14/ЕО – 2005/88/ЕО относно шумовите емисии на съоръженията.  2. Предназначение на машината  3. Описание на машината  4. Общо наименование: Косачка  5. Функционална група  6. Серийен номер  7. Тип  8. Производител и отговорник за съставяне на техническа документация  9. Други стандарти или спецификации  10. Други стандарти или спецификации  a) Измерена звукова мощност  b) Гарантирана звукова мощност  c) Параметърът шум  d) Процедура за оценка на съответствието  e) Нотифициран орган  8. Дата на изготвяне</p>	<p><b>Norsk (Norwegian)</b>  <b>EF-Samsvarserklæring</b>  1. Undertegnede, Hironori Chubachi representerer produsenten og herved erklærer at maskinen beskrevet nedenfor innfrir relevant informasjon fra følgende forskrifter:  * Maskindirektiv 2006/42/EF  * Direktiv EMC: 2004/108/EF  * Elektromagnetisk kompatibilitet 2000/14/EF – 2005/88/EF  2. Beskrivelse av produkt  3. Felles benevnelse: Gressklipper  4. Funksjon: Klippe gress  5. Modell  6. Serienummer  7. Type  8. Produsent og i stand til å utarbeide den tekniske dokumentasjonen  9. Referanse til harmoniserte standarder  10. Øvrige standarder eller spesifikasjoner  a) Målt støy  b) Maks støy  c) Konstant støy  d) Verdi vurderings prosedyre  e) Gjeldende kjøreløy/kropp/stamme/strokrog  8. Dato</p>	<p><b>Magyar (Hungarian)</b>  <b>EK-megfelelési nyilatkozata</b>  1. Alulírott Hironori Chubachi, mint a gyártó képviselője nyilatkozik, hogy az általam gyártott gép megfelel az összes, alább felsorolt direktívának:  * 2006/42/EK Direktívának berendezésekre  * 2004/108/EK Direktívának elektromágneses megfeleléseire  * 2000/14/EK – 2005/88/EK Direktívának kültéri zajszintjére  2. A gép leírása  a) Általános megnevezés: Fűnyíró  b) Funkció: fű levágása  c) Kereskedelmi név  d) Típus  e) Sorozatszám  6. Gyártó és képező szervezet  7. Hivatkozott szabványokra  8. Más előírások, megfigyzések  9. Kültéri zaj  a) Méri hangerőt  b) Szavatolt hangerő  c) Szavatolt paraméter  d) Megfelelési becslési eljárás  e) Kijelölt szervezet  8. Keleltetés helye  8. Keleltetés ideje</p>	<p><b>Cestina (Czech)</b>  <b>ES – Prohlášení o shodě</b>  1. Zásupce výrobce, Hironori Chubachi svým podpisem potvrzuje, že stroj popsaný níže splňuje požadavky příslušných opatření:  * Směrnice 2006/42/ES pro stroji zařízení  * Směrnice 2004/108/ES stanovující technické požadavky na výrobky z hlediska elektromagnetické kompatibility  * Směrnice 2000/14/ES – 2005/88/ES stanovující technické požadavky na výrobky z hlediska emisí hluku zařízení pro venkovní použití  2. Popis zařízení  a) Účel: Sěkaná tráva  b) Funkce: Sěkaná tráva  c) Obchodní název  d) Typ  3. Výrobce  4. Číslo výrobce  5. Osoba pověřená kompletní technické dokumentací  6. Odkazy na harmonizované normy  7. Ostatní použité normy a specifikace  8. Směrnice pro hluk pro venkovní použití  9. Naměřená akustický výkon  a) Garantovaný akustický výkon  b) Parametr hluku  c) Způsob posouzení shody  d) Notifikovaná osoba  8. Datum</p>	<p><b>Latviešu (Latvian)</b>  <b>EK atbilstības deklarācija</b>  1. Zēmaņā minētais Hironori Chubachi, kā ražotāja pārstāvis ar šo apliecinā, ka zēmaņā aprakstītie mašīna, atbilst visām zēmaņā norādīto direkīvu sadalījā:  * Direktīva 2006/42/EK par mašīnām  * Direktīva 2004/108/EK attiecībā uz elektromagnētisko savietojamību  * Direktīva 2000/14/EK – 2005/88/EK par troksņa emisiju vidē  2. Iekārtas apraksts  a) Vārpārtājis nosaukums: Zāles pļāvējs  b) Funkcija: zāles pļaušana  c) Komerciosaukums  d) Tips  e) Serijas numurs  6. Ražotājs, kas spēj sasādot tehnisko dokumentāciju  7. Atsauces uz saskaņotajiem standartiem  8. Citi noteiktie standārti vai specifikācijas  9. Aizvērtā troksņa līkums  a) Izmērītā troksņa līkums  b) Pļaujamaais troksņa līkums  c) Troksņa parametri  d) Atbilstības vērtējuma procedūra  e) Informētā testāde  8. Datums</p>	<p><b>Türk (Turkish)</b>  <b>AT Uygunluk Beyanı</b>  1. Aşağıda imzasi bulunan Hironori Chubachi, ürünün üreticinin adına, bu yazıyla birlikte aşağıdaki makine ile ilgili tüm hükümlülüklerin yeme getirildiğini beyan etmektedir:  * Makina Emnyet Yönetmeliği 2006/42/AT  * Elektromanyetik Uyumluluk Yönetmeliği 2004/108/AT  * Apk Alandırma Kurullarının Tehizat Tarafından Onaylanılan Çevredekı Gürültü Emisyonlu İle İlgili Yönetmelik 2000/14/AT – 2005/88/AT  2. Makinenin tanıtı  a) Adı: Çim biçme makinesi  b) İşlevi: Çim biçme makinesi  c) Seri numarası  d) Tipi  e) Üretici adı  6. Teknik dosyayı hazırlamakla yetkili olan kişilerin listesi  7. Diğer standartlar veya referanslar  8. Aşk alan gürültü yönetmeliği  a) Ölçülen ses gücü  b) Garantı parametresi  c) Gürültü parametresi  d) Uygunluk değeriendirme prosedürü  e) Onaylanmış kuruluş  8. Beyanın tarihi:</p>	<p><b>Isleenskalticeländic)</b>  <b>EB-Sammræmisfrýfýsing</b>  1. Undirritaður, Mr Hironori Chubachi, lýrir hönd framfærðans, lýsir hér með lýfr því að vélin sem lýst er hér að neðan sammræmist öllum gjaldandi ákvæðum tilskipunar:  * Leifbeningar lýfr vélbúnað 2006/42/EB  * Leifbeningar lýfr ratsgeiðslu 2004/108/EB  * Leifbeningar um hávaðabætur 2000/14/EB – 2005/88/EB  2. Lýsing á vélbúnaði  a) Þírki: Gras sleig  b) Fúnksjónir: rezzarjle írave  c) Komercjónnir nafn  d) Íp  e) Séríjónnir  6. Séríjónnir  7. Fúnksjónir og íter um að taka saman dokumentaíjón  8. Referense na uskláðene norme  9. Östale norme í specífíkjón  10. Propis o buci na otvorenome  a) Izmerjena jačina zvuka  b) Zajamčena jačina zvuka  c) Parametar buke  d) Postupak za ocjenu sukladnosti  e) Obavješteno tijelo  8. Datum</p>	<p><b>Hrvatski(Croatian)</b>  <b>EK Izjava o sukladnosti</b>  1. Potpisani, Hironori Chubachi, u ime proizvođača, ovime izjavljuju da strojevi navedeni u nastavku ispunjavaju sve važeće odredbe:  * Propisa za strojeve 2006/42/EK  * Propisa o elektromagnetskoj kompatibilnosti 2004/108/EK  * Propisa o buci na otvorenome 2000/14/EK – 2005/88/EK  2. Opis strojeva  a) Opca vrijednost: Kosilica za travu  b) Funkcionalnost: rezanje trave  c) Komercijalni naziv  d) Tip  e) Serijski broj  6. Osoba za sastavljanje tehničke dokumentacije  7. Osoba na usklađene norme  8. Ostale norme i specifikacije  9. Propis o buci na otvorenome  a) Izmerjena jačina zvuka  b) Zajamčena jačina zvuka  c) Parametar buke  d) Postupak za ocjenu sukladnosti  e) Obavješteno tijelo  8. Datum</p>
--	---	---	--	--	--	---	--	--	--	---	---

**HONDA**  
The Power of Dreams